

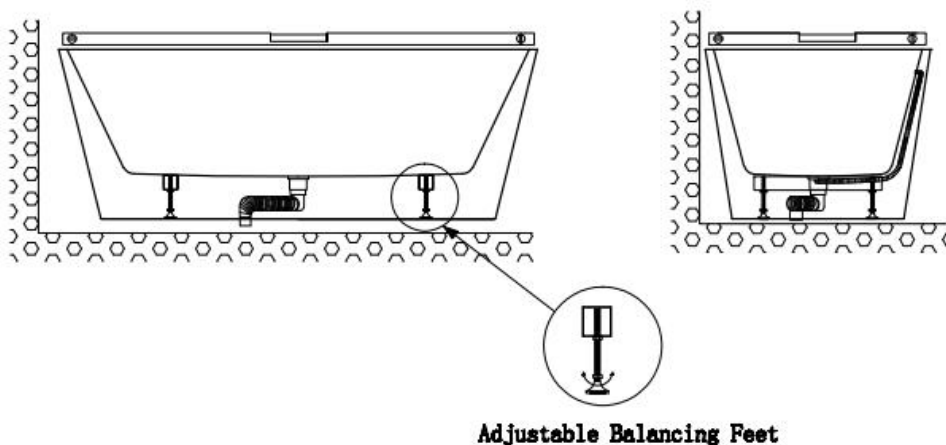
# INSTALLATION MANUAL

## NOTE

- The uneven surface --- To finish polishing a bathtub, we usually apply wax to make it shine and protect it from stains and scratches. However, the extra wax will eventually generate uneven surface. Before using it, please use a clean cloth with warm water in circular motions to lightly wipe the surface to remove the extra wax.
- The water stain --- To finish testing the bathtub overflow, we usually inspect the bathtub overflow drains by running water down the drains to test if there is any leak at the over flow. Therefore, water stains may be found on the surface of the bathtub.

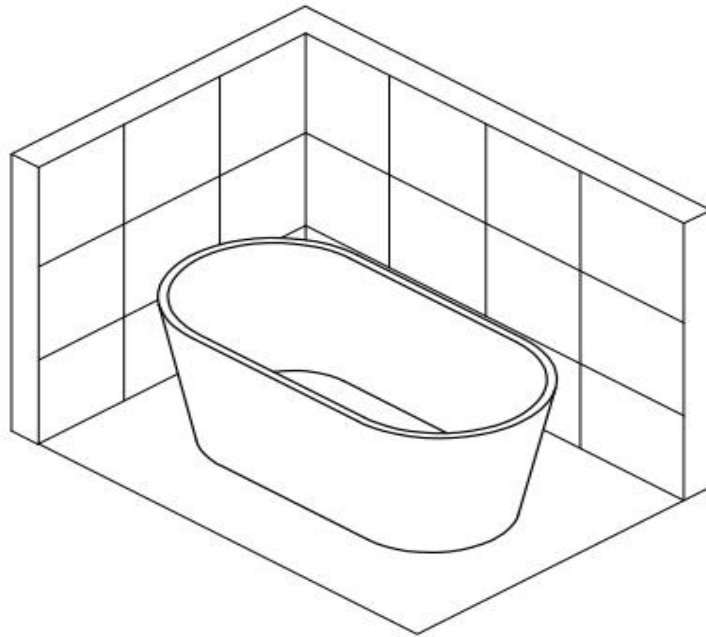
## INSTALLATION STEPS

1. Clean, level, and prepare the floor for installation.
2. Determine the location of the drain pipe on the floor by taking measurements of the drain and waste location beneath the unit.
3. Place the bathtub in the designated space ensuring that the drain and waste locations match with that of the tub and adjust the balancing feet as needed, using a level.



(figure 1)

4. After adjusting the balance of the bathtub with a level, use white/clear silicone around the tub base to complete installation.



(figure 2)

---

## **CLEANING AND MAINTENANCE**

1. The bathtub is usually cleaned with general liquid detergent and soft cloth, can not use the detergent that contains acetone or ammonia water element. When you disinfect the bathtub, please use disinfectant without formaldehyde.
2. Surface stain can be rubbed with toothpaste on soft cloth.
3. For the mild abrasions or burns on the surface, you can use wet No.2000 waterproof abrasive paper to polish this area, then buffing the ground where it is polished.
4. Wipe the dirt on the electroplating parts with a soft cloth. Do not use coarse cloth or thinner to wipe it.
5. It is strictly forbidden to strike the bathtub with sharp hard objects.