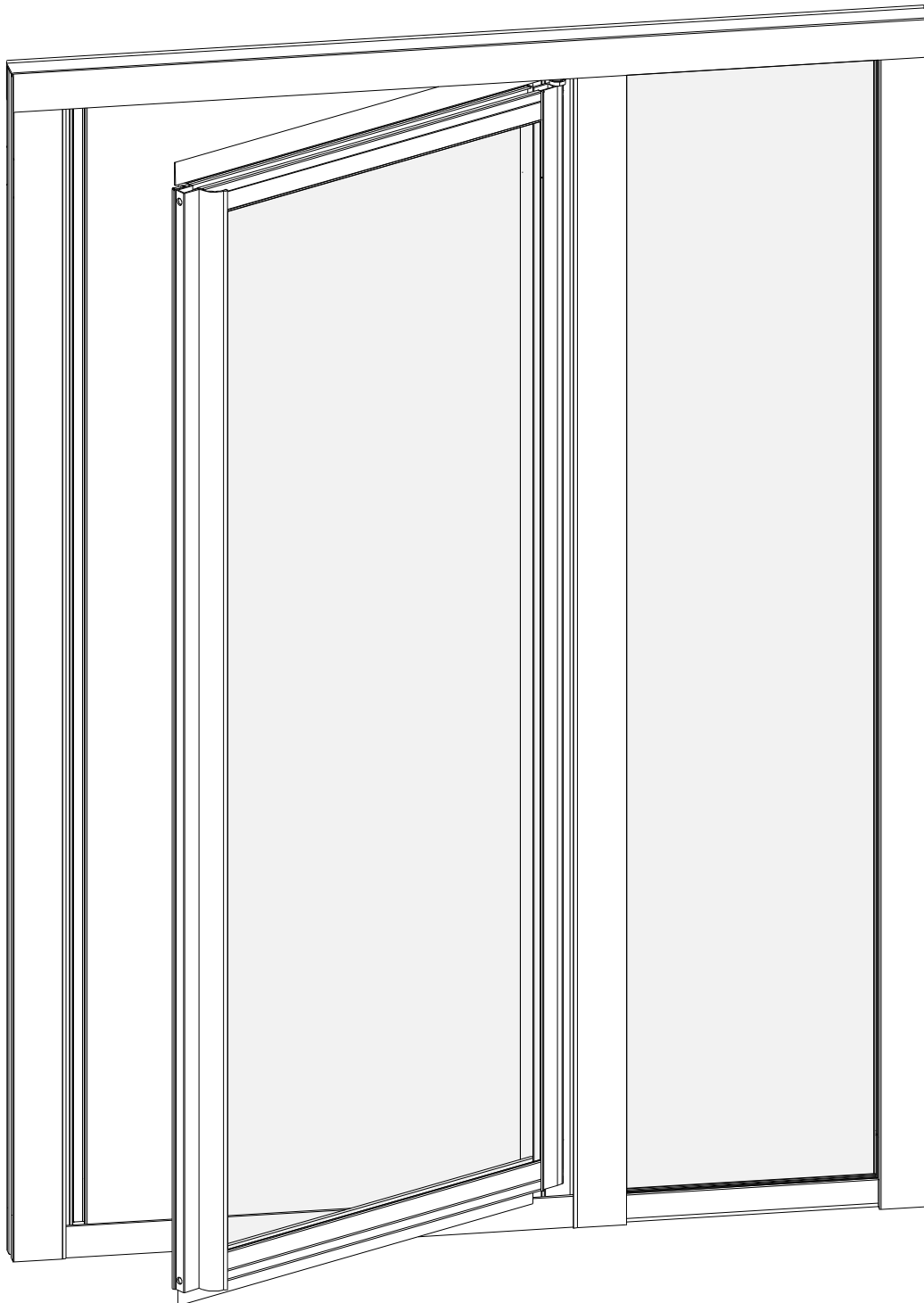


Legend

Inline panel shower enclosure
installation Instructions
(400 Series)

PATENTS PENDING

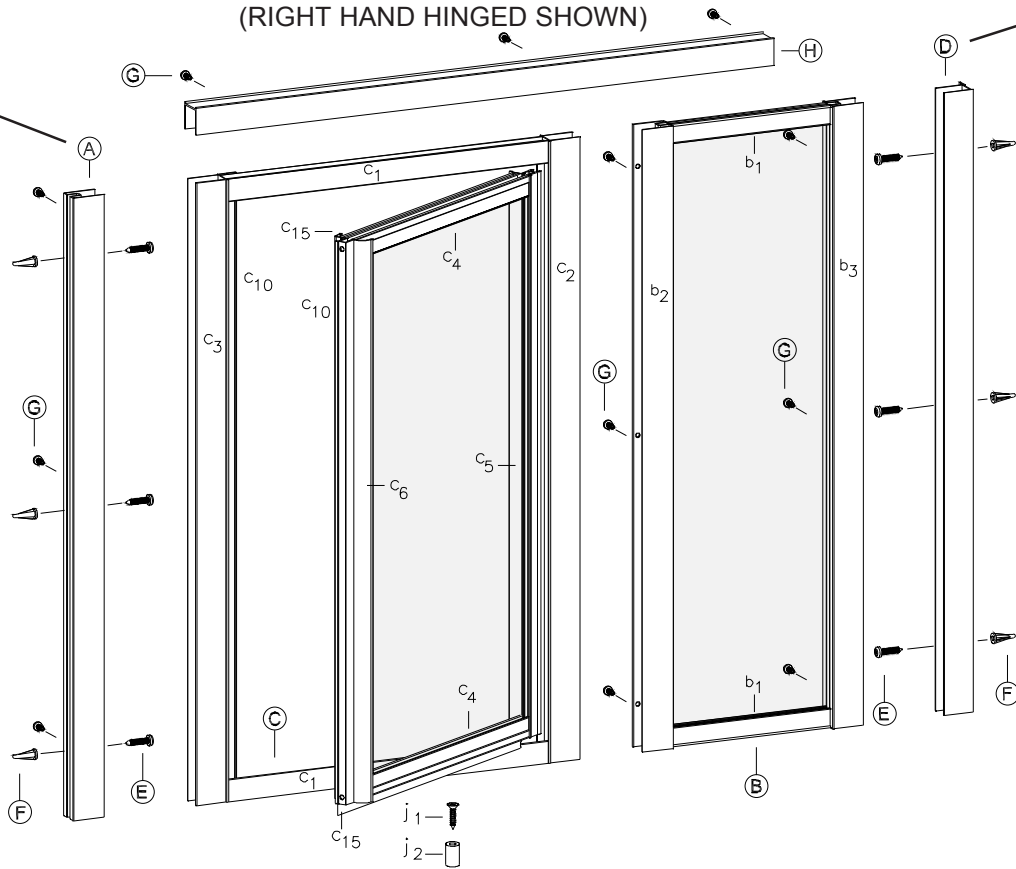


EXPLODED VIEW OF MODULAR INLINE PANEL

(RIGHT HAND HINGED SHOWN)

(A)
ALWAYS ON
DOOR SIDE

(D)
ALWAYS ON
INLINE SIDE



PARTS LIST

KEY LETTER	PART NUMBER	DESCRIPTION	QUANTITY
A	404	WALL JAMB (door assembly side)	1
B	---	INLINE PANEL ASSEMBLY	1
b1	235	Panel Rails	2
b2	404	Panel Expander Jamb	1
b3	405	Panel Expander Jamb	1
b4	6112PHS	Panel Assembly Screws (not shown)	4
b5	C 154 B	Panel Glazing Vinyl (used with 1/8" glass)	---
b6	C 532 B	Panel Glazing Vinyl (used with 5/32" glass)	---
C	---	DOOR FRAME ASSEMBLY	1
c1	440	Door Frame Header / Sill	2
c2	443	Door Frame Hinged Post	1
c3	442	Door Frame Strike Post (with magnet)	1
c4	227	Door Panel Rails	2
c5	154	Door Panel Hinged Stile	1
c6	226	Door Panel Strike Stile	1
c7	CP156	Pivot Bushing(not shown)	2
c8	C 173 B	Door Glazing Vinyl (used with 1/8" glass)	---
c9	C 532 B	Door Glazing Vinyl (used with 5/32" glass)	---
c10	98-42	Magnetic Strips (not shown)	2
c11	5112FHSL	Door Panel Assembly Screw (not shown)	4
c12	634PHS	Door Frame Assembly Screw (not shown)	4
---	---	(designation not used)	---
---	---	(designation not used)	---
c15	C176B	VINYL SWEEP (top and bottom)	2
D	402	WALL JAMB (inline panel side)	1
E	8112	#8 x 1-1/2" PAN HEAD PHILLIPS SCREW	6
F	1329	PLASTIC SCREW ANCHOR	6
G	812QPT	#8 x 1/2" SELF DRILLING QUAD SCREW	12
H	447	HEADER	1
J	---	CHSL-KIT (Lite)	1
j1	6114FHP	#6 Flat Head Phillips Screw	1
j2	SP116B	Nylon Bushing	1

STEP 1
Position Door Assembly Side Wall Jamb

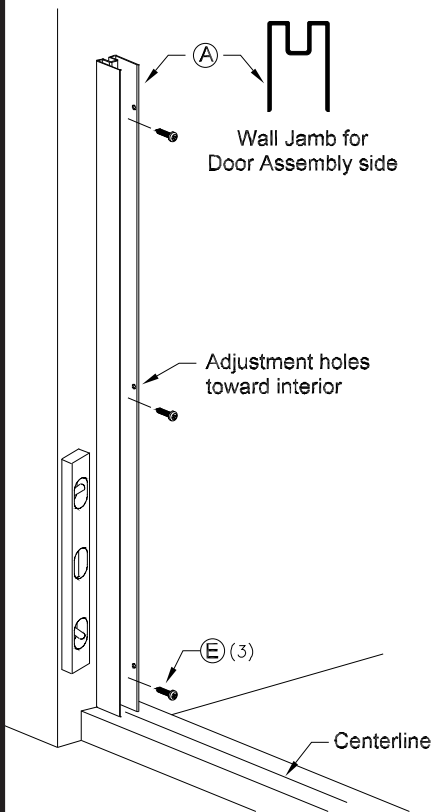


figure 1

Determine and mark the curb centerline as shown in figure 1.

Decide which configuration best suits your needs

door assembly on left / inline panel on right
 OR
inline panel on left / door assembly on right

Your choice (of door location above) will determine which wall you will attach the 404 Wall Jamb to (see exploded view).

Position Wall Jamb (A) up against the shower wall . . . and center it on the centerline mark. Adjustment holes should be facing toward interior of enclosure as shown.

Level and plumb Wall Jamb.

Using the Wall Jamb's installation holes as guides, drill three (3) 1" deep installation holes on the wall.

Use a 3/16" masonry bit when drilling through ceramic tile, marble or any masonry type surface. Insert Plastic Screw Anchors (F). Otherwise use a regular 1/8" drill bit and discard Plastic Anchors.

Secure Wall Jamb with three (3) #8 x 1-1/2" pan head screws (E).

STEP 2
Position and secure CHSL-KIT on curb base

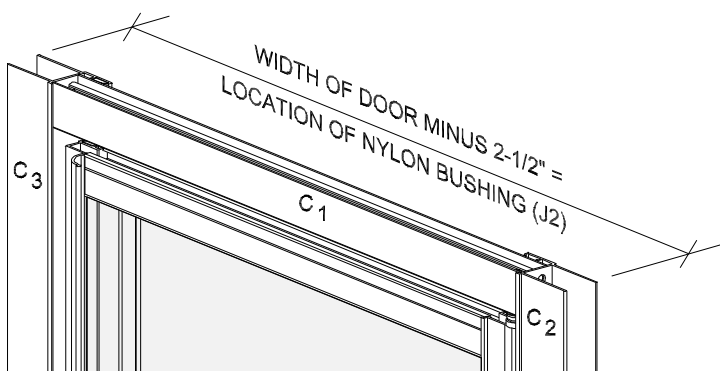


figure 2

Measure width of Door Assembly (C) as shown in figure 2 and mark the CHSL-KIT (J) hole location as per figure 2a.

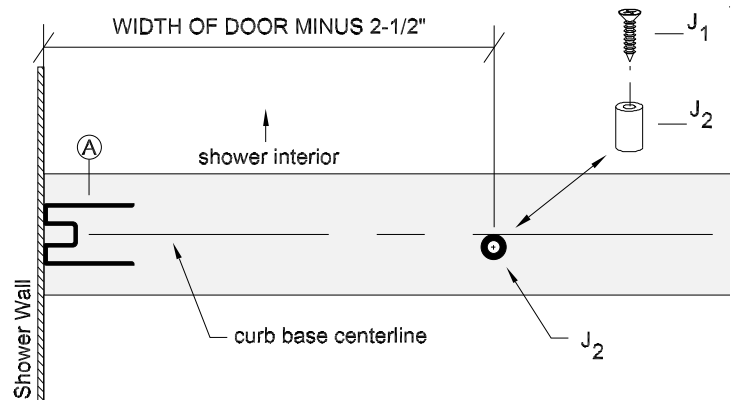


figure 2a

Note: Vinyl Bushing (j2) IS NOT centered on the centerline, but is located tangent and to the outside of the centerline as shown in figure 2a.

Secure Nylon Bushing (j2) to curb base using a #6 Flat Head Phillips Screw (j1) provided.

STEP 3
Install Door Assembly

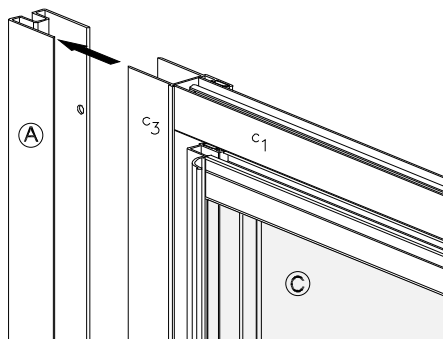


figure 3

Detail shows strike on wall side, see exploded view on sheet 2 also. Cartwheel the door assembly 180 degrees if you want the door to strike on the panel side.

Lift Door Assembly (C) onto base ledge and over Vinyl Bushing (J2) installed in step 2 then slide Door Frame (C) into Wall Jamb (A)

Once Door Assembly is positioned, **always** double check to make sure that door swings out.

Leave door assembly standing as is temporarily and do not fasten at this time.

STEP 4
Install Inline Panel onto Door Assembly

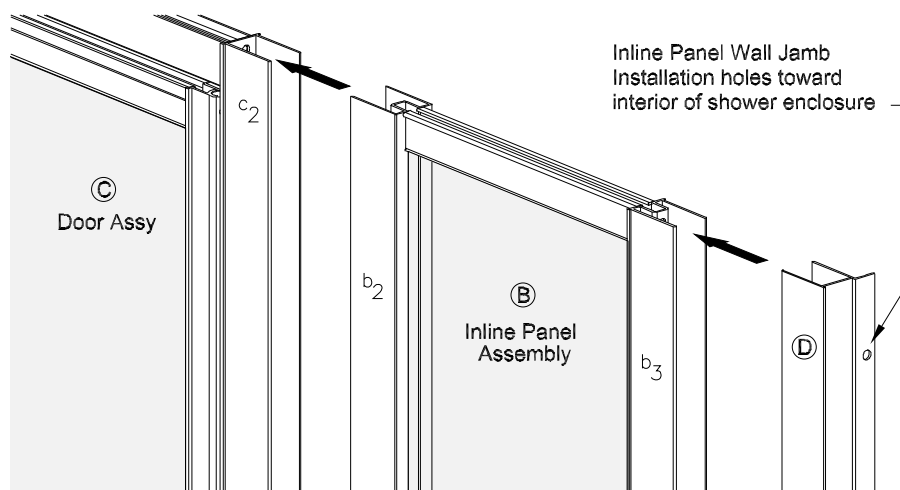


figure 4

Detail shows strike on wall side / hinge post toward panel, see also exploded view on sheet 2

Begin by inserting Inline Panel Wall Jamb (D) onto Inline Panel's Expander Jamb (b3) as shown. Bury the Wall Jamb into Inline Panel as far as it will go.

Lift Inline Panel Assembly (B) onto base ledge and position Panel's Expander Jamb (b2) over the Door Assembly's Hinge Post (c2) . . . insert Inline Panel Assembly (B) onto Door Assembly (C) as far as it will go.

Check to make sure that the shower assembly is centered and squared on the base curb.

STEP 5
Insert Inline Panel Wall Jamb and Position Inline Panel

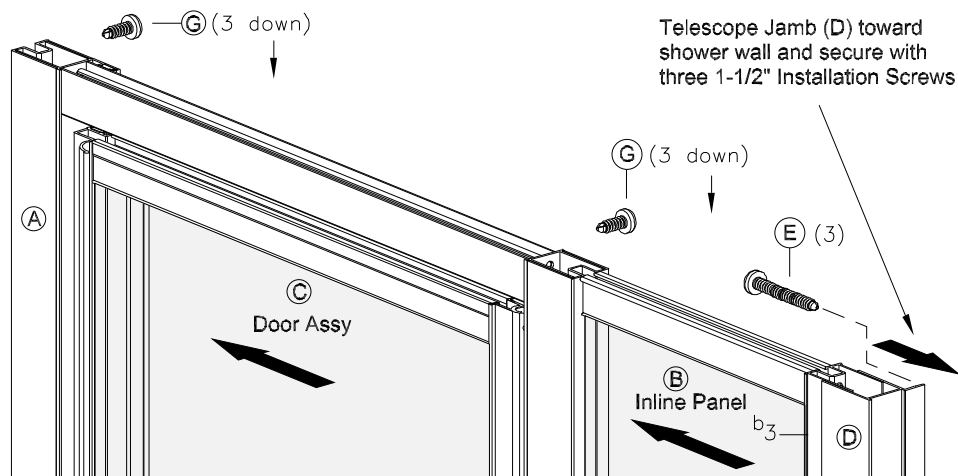


figure 5

Door Frame Assembly (C) should be pushed up against Wall Jamb (A).

Inline Panel Assembly (B) should in turn be pushed up against Door Frame Assembly (C).

Step inside shower enclosure and push Wall Jamb (D) up against the shower wall as shown. Secure Wall Jamb (D) with three Installation Screws (E).

Next, secure Wall Jamb (A) to Door Assembly (C) using three (3) Adjustment Screws (G). Now, secure Inline Panel Assembly (B) to Door Assembly (C) using three (3) Adjustment Screws (G).

STEP 6
Install Header and Caulk outside of Unit.

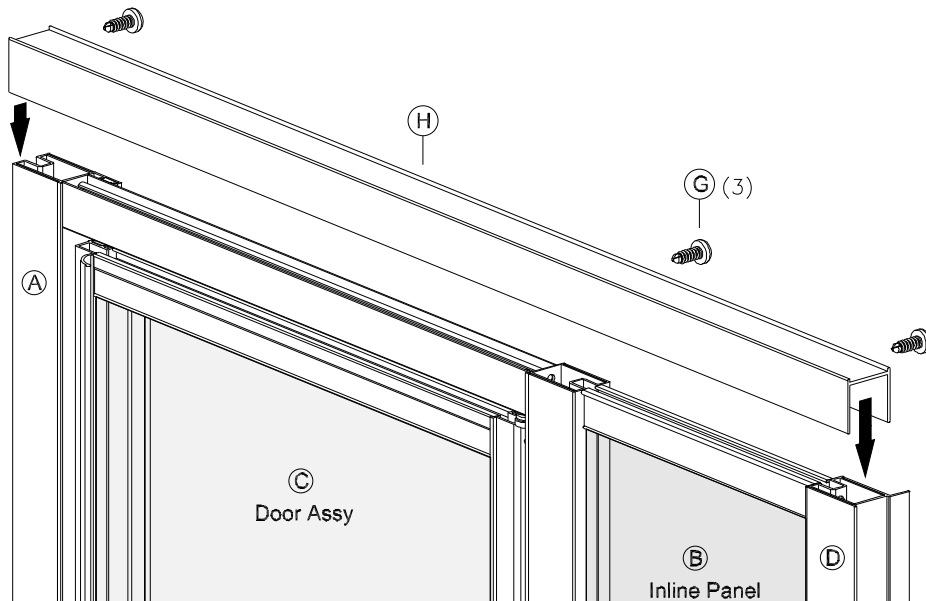


figure 6

Measure opening width at top of unit and trim Header (H) to 1/16 less than measurement obtained. Position Header (H) into place as shown in figure and secure to unit utilizing three (3) self drilling screws (G).

TO ENSURE A LEAK PROOF INSTALLATION:

Run a bead of clear mildew resistant caulking **around the outside** of shower enclosure where shower unit meets the shower base and where Wall Jamb meet the wall. Follow caulking manufacturer's instructions before using shower.

STEP 7

Attach (OPTIONAL) Travel Latch at Strike Side

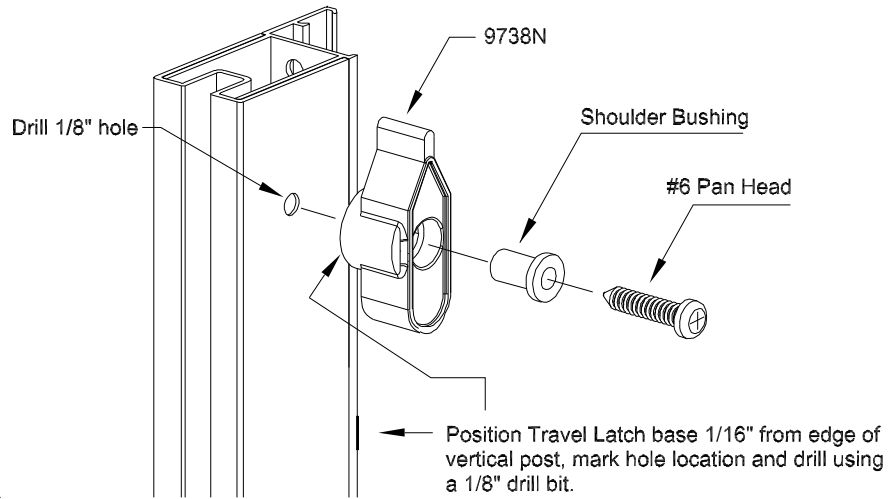


figure 7

Travel Latch is an optional piece and therefore does not come with all units.

Before drilling a 1/8" hole required to attach the Travel Latch, position the Travel latch (9738N) as indicated in figure (with the base 1/16" from edge of the vertical post). Additionally, position it vertically centered or at a height that is comfortable for you to reach.

Mark the hole location and drill a hole using a 1/8" drill bit. Attach Travel Latch as shown.