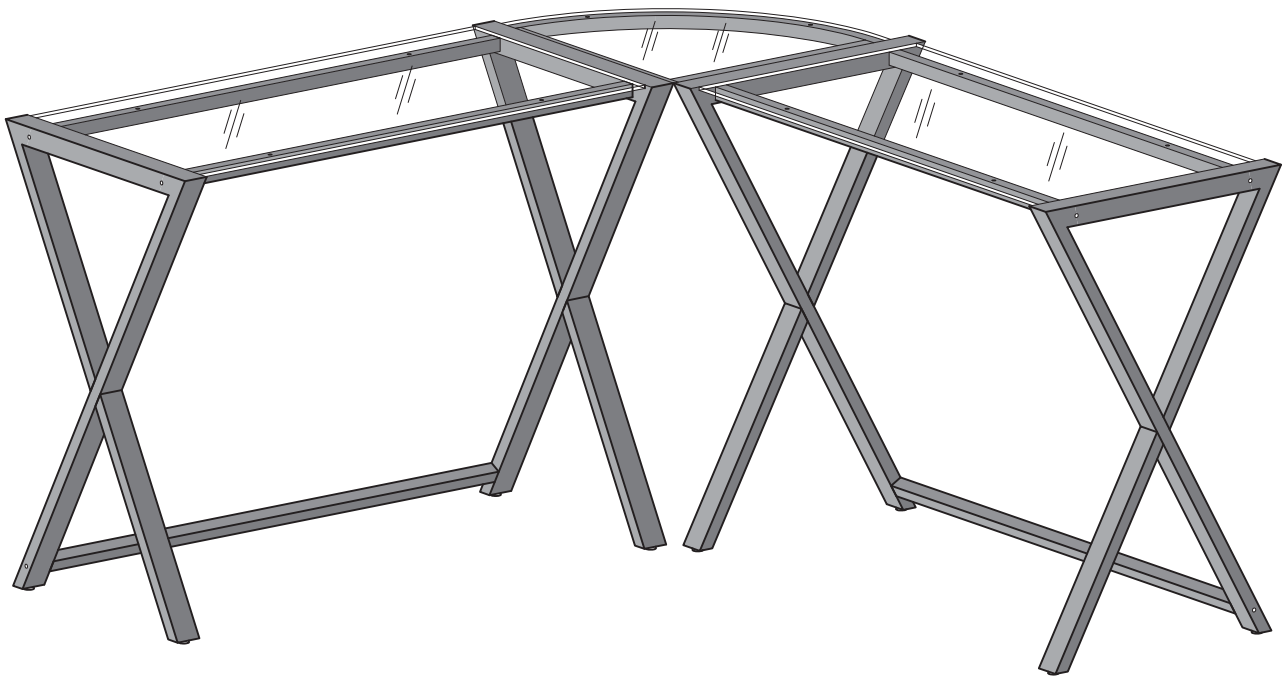


**W** Walker<sup>®</sup>  
Edison  
furniture company

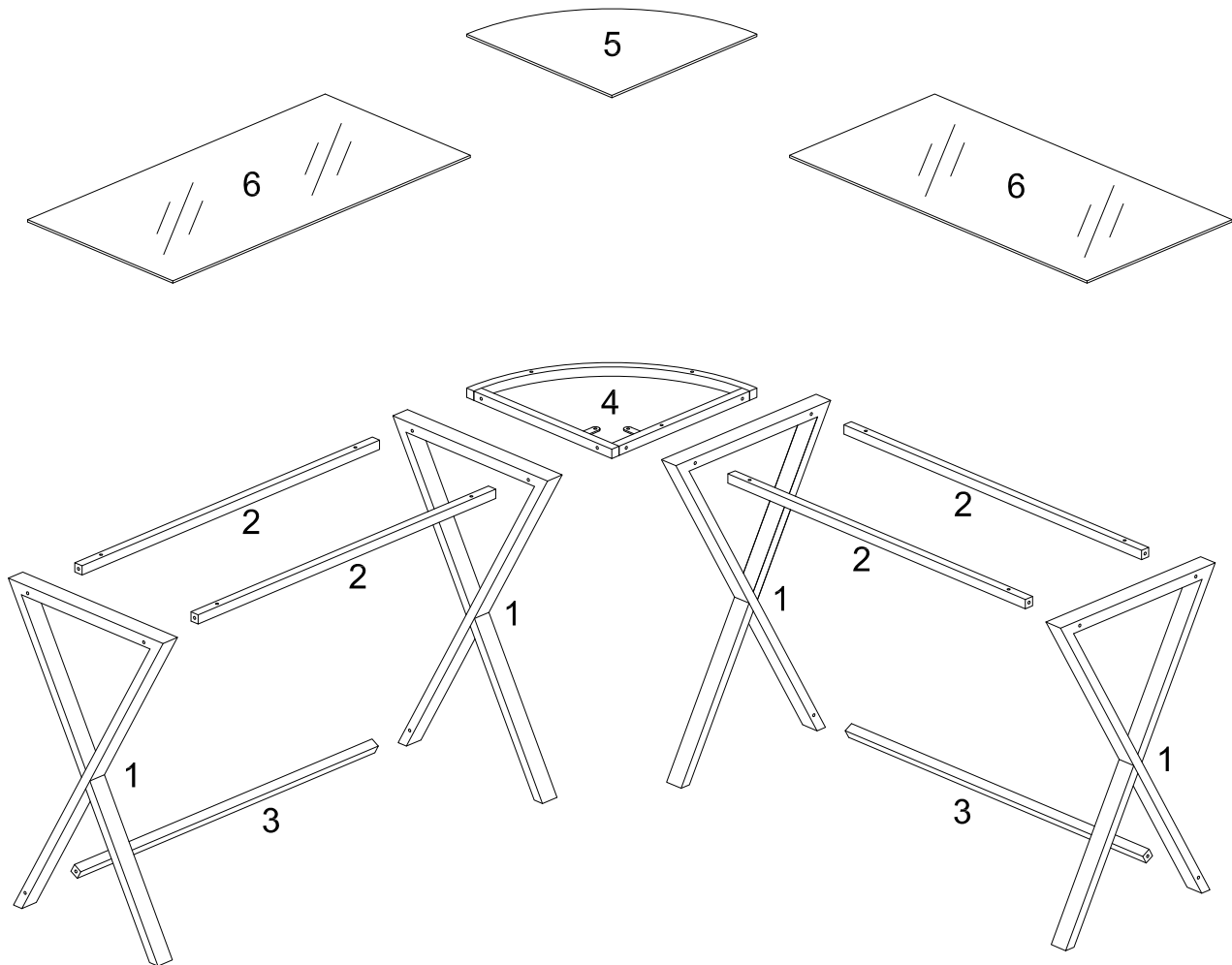
Item # :D51X29  
Assembly Instructions




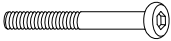

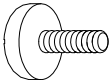

*Please visit our website for the most current instructions, assembly tips, report damage, or request parts. [www.walkeredison.com](http://www.walkeredison.com)*

Revised 03/2017

# Parts List

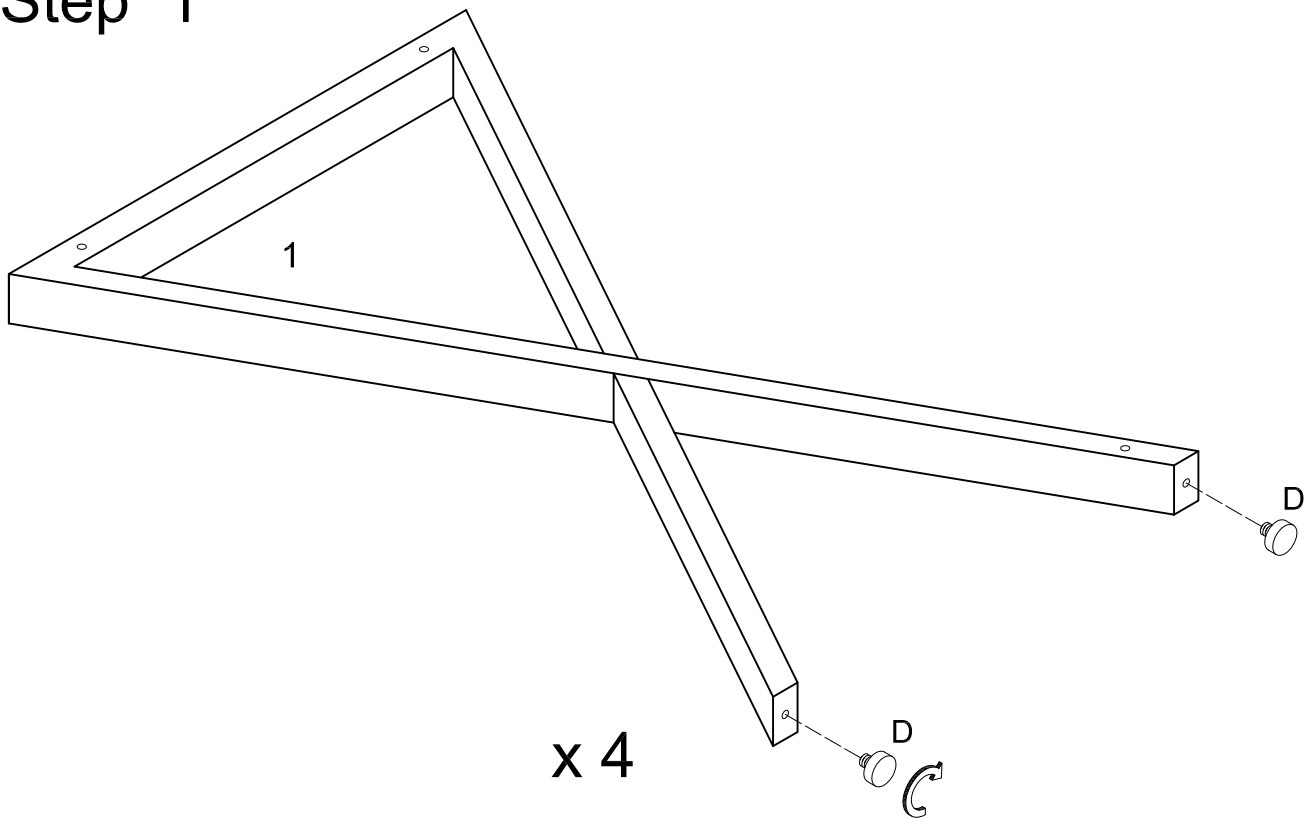


# Hardware List

A		M6*55(mm)	Short bolt	8 pcs
B		M6*70(mm)	Long bolt	4 pcs
C			Rubber suction cup	12 pcs
D			Desk feet	8 pcs
E		M4(mm)	Allen wrench	1 pc

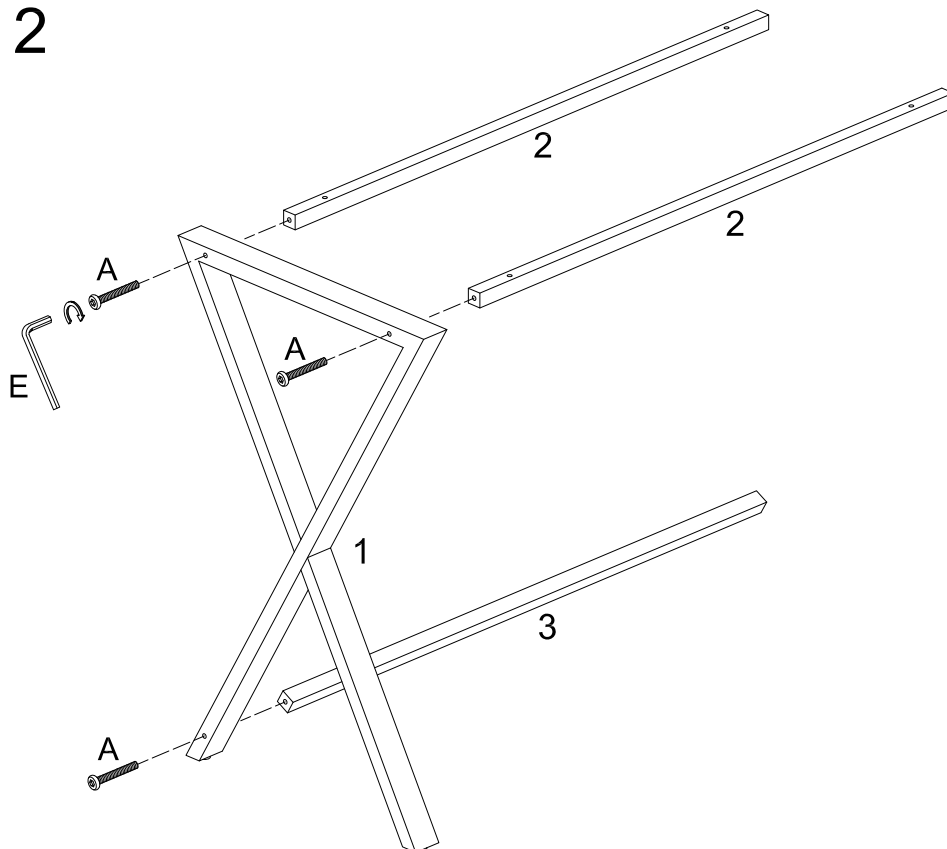
*The hardware quantities listed above are required for proper assembly.  
Some extra hardware may also have been included.*

# Step 1



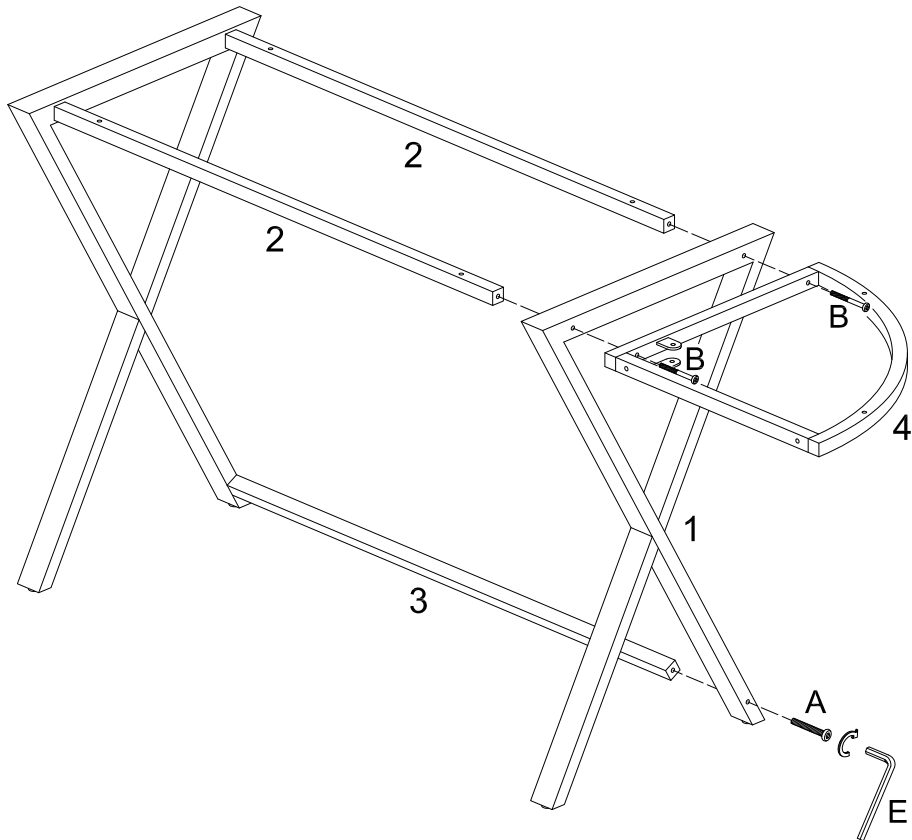
Screw feet (D) into legs (1).

# Step 2



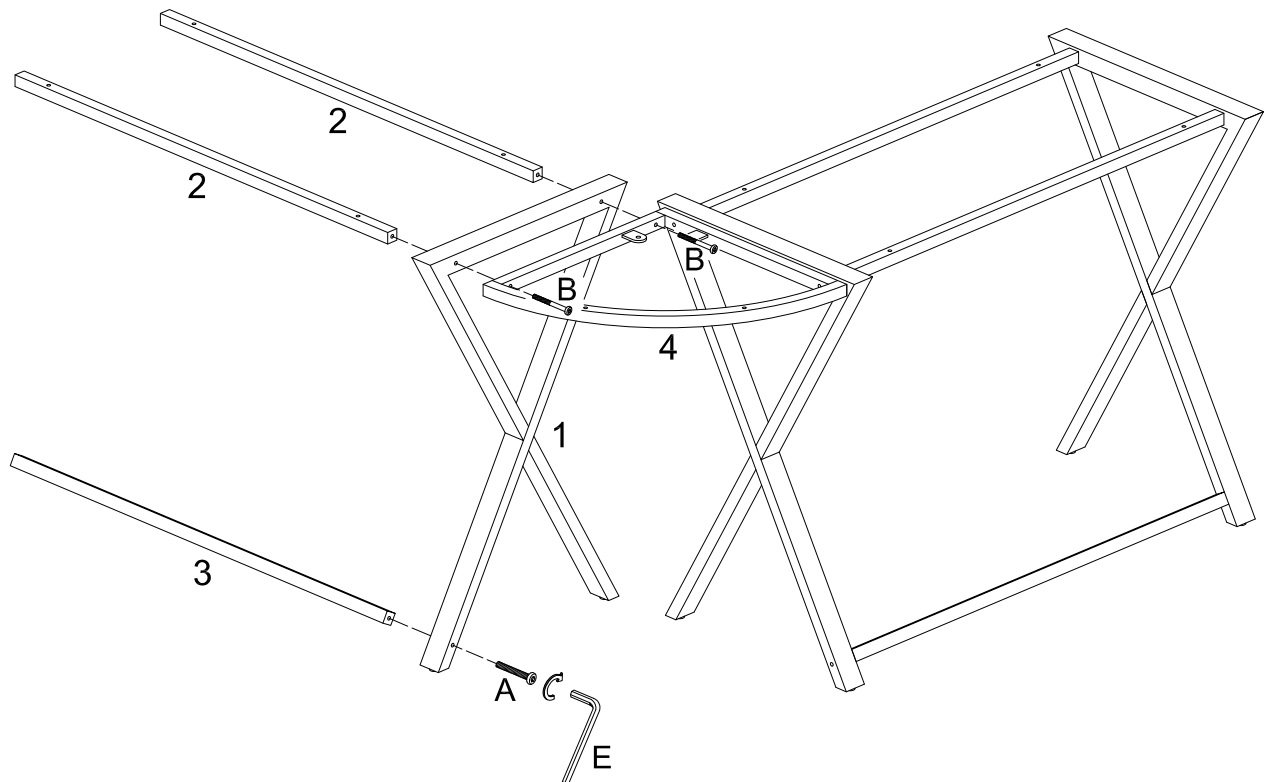
Attach upper crossbars (2) and lower crossbar (3) to legs (1) using short bolts (A) . Tighten short bolts (A) with wrench (E).

## Step 3



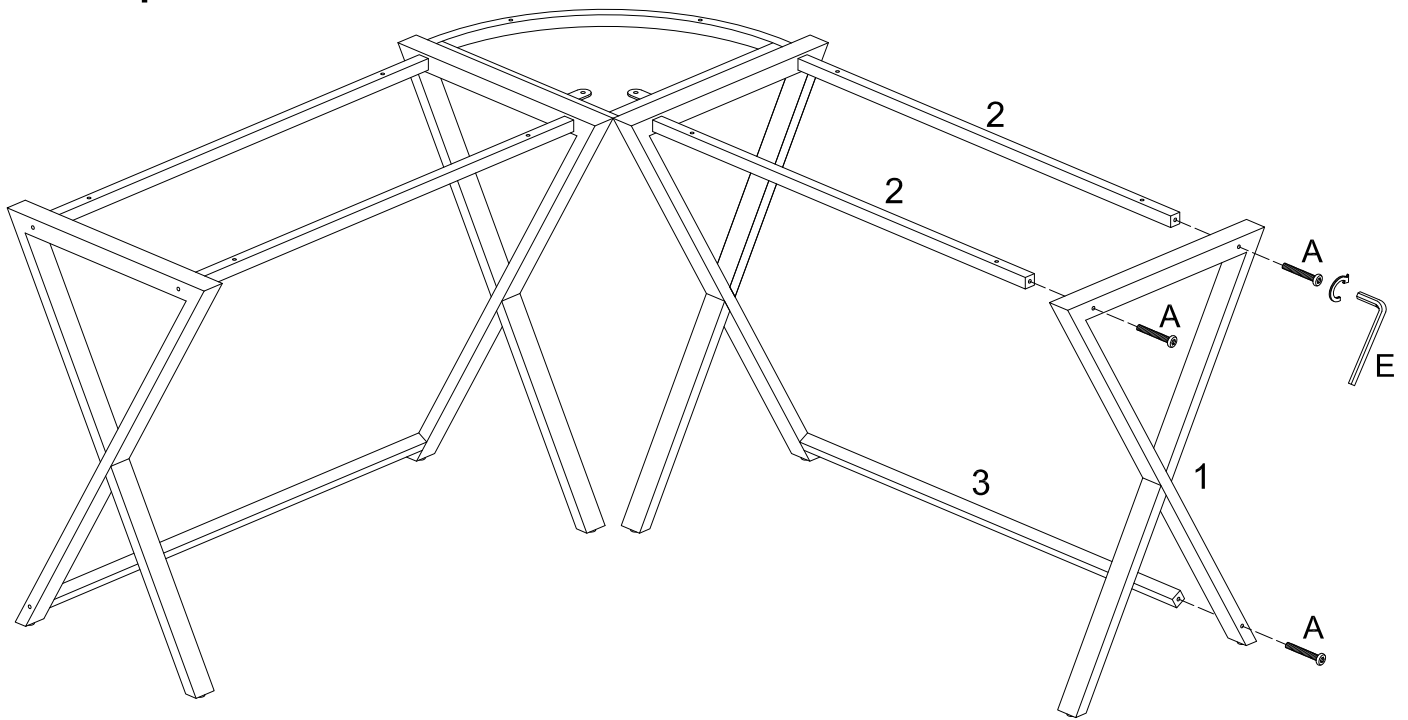
Attach leg (1) and corner frame (4) to the assembly from the previous step using long bolts (B) .Secure leg (1) to lower crossbar (3) using short bolt (A) . Tighten all bolts with wrench (E).

## Step 4



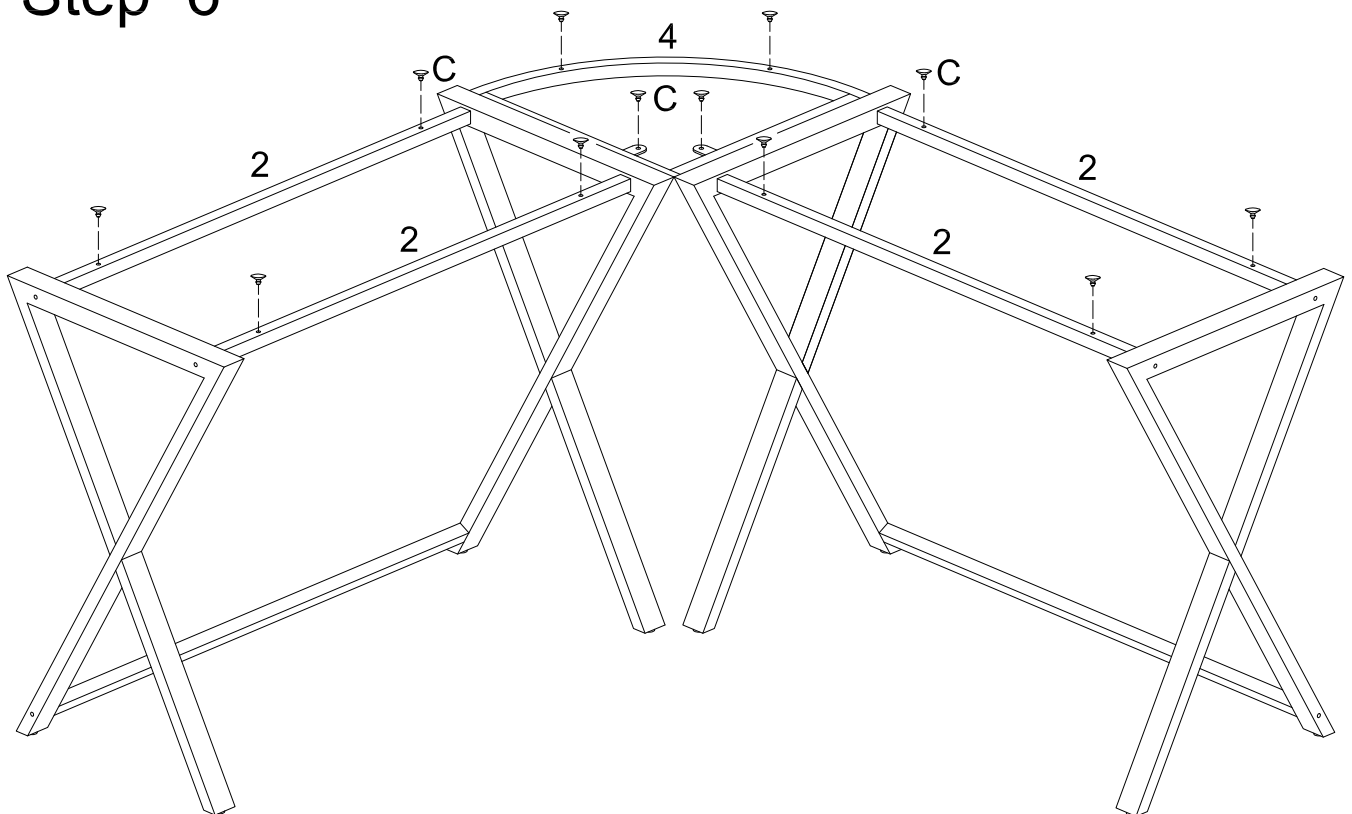
Attach leg (1) and crossbars (2) to corner frame (4) using long bolts (B) .Attach lower crossbar (3) to leg (1) using short bolt (A) . Tighten all bolts with wrench (E).

## Step 5



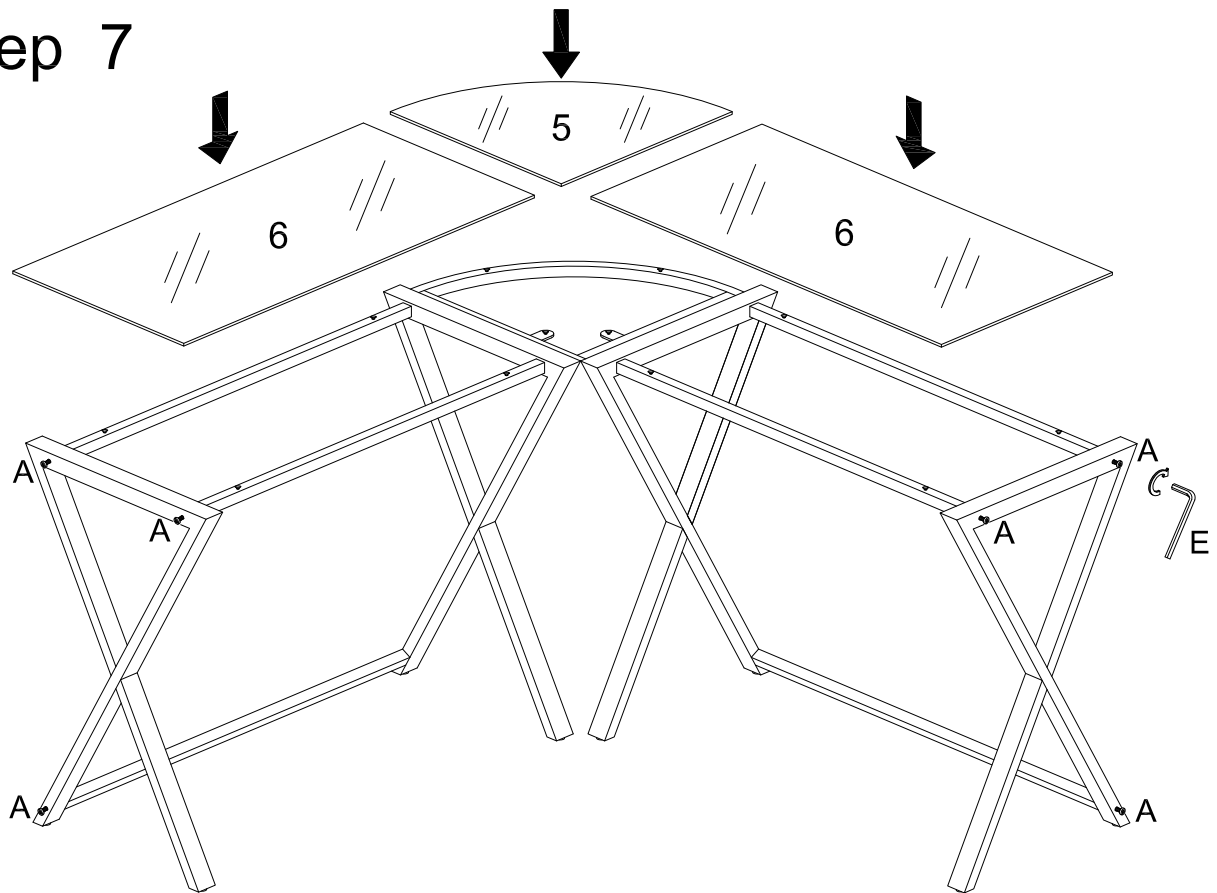
Attach leg (1) to upper crossbars (2) and lower crossbar (3) using short bolt (A). Loosely tighten short bolts (A) with wrench (E).

## Step 6



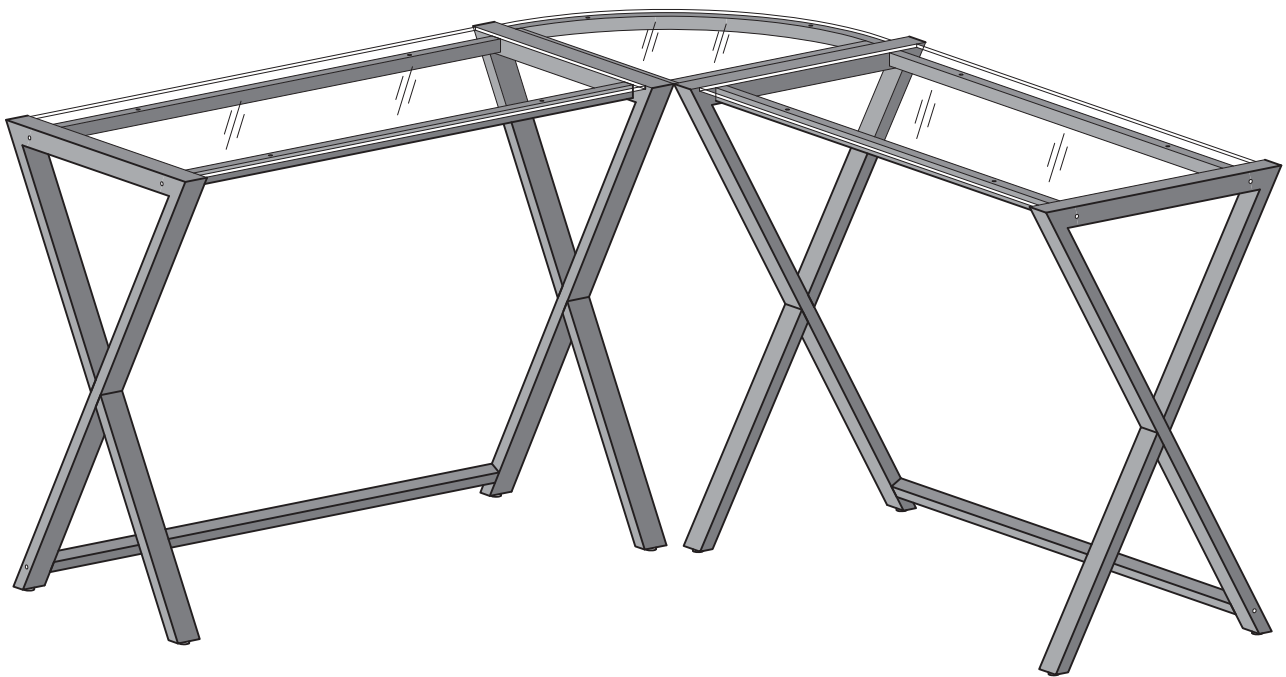
Insert rubber suction cups (C) into the desk frame as shown above.

## Step 7



Carefully lay glass (6) and corner glass (5) into place and gently press on the suction cups to secure. Firmly tighten all bolts (A) with wrench (E).

## Step 8



## Final Assembly