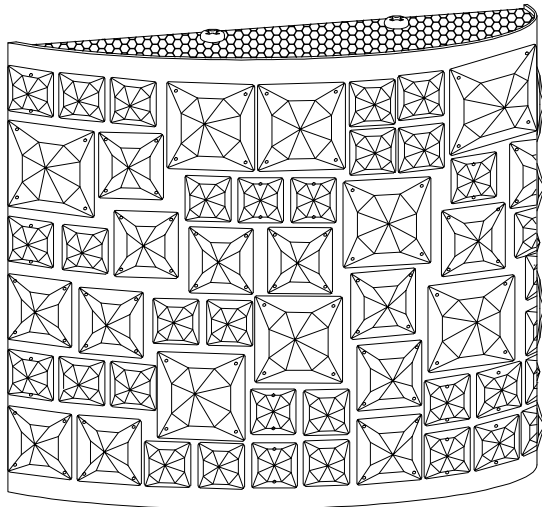


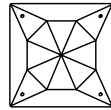


PRODUCT NAME: Fifth Avenue, 3lt wall sconce
ITEM NUMBER: 39798JCLB

Please consult your electrician for hanging fixture and wiring.



1.65"W*1.65"W*0.83"H



CSQ39791AM-A 5pcs

CSQ39791CLSV-A 2pcs

CSQ39791CL-A 4pcs

1.26"W*1.26"W*0.67"H



CSQ39791AM-B 8pcs

CSQ39791CLSV-B 9PCS

CSQ39791CL-B 8PCS

0.87"W*0.87"W*0.24"H



CSQ39791AM-C 21PCS

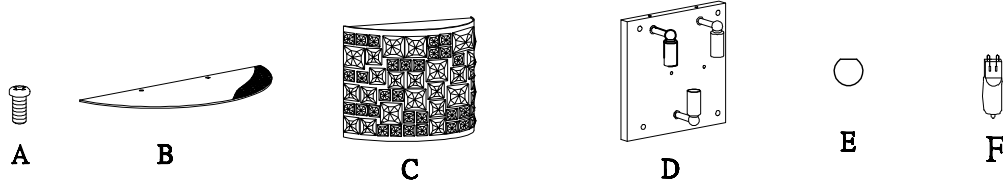
CSQ39791CLSV-C 15PCS

CSQ39791CL-C 23PCS

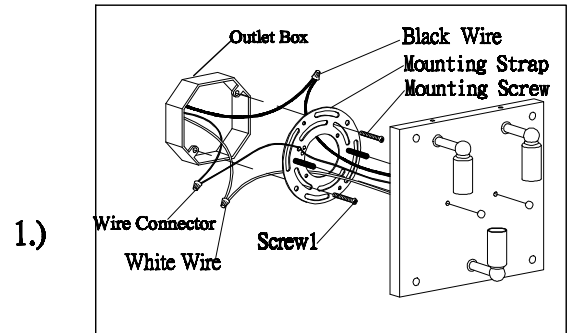
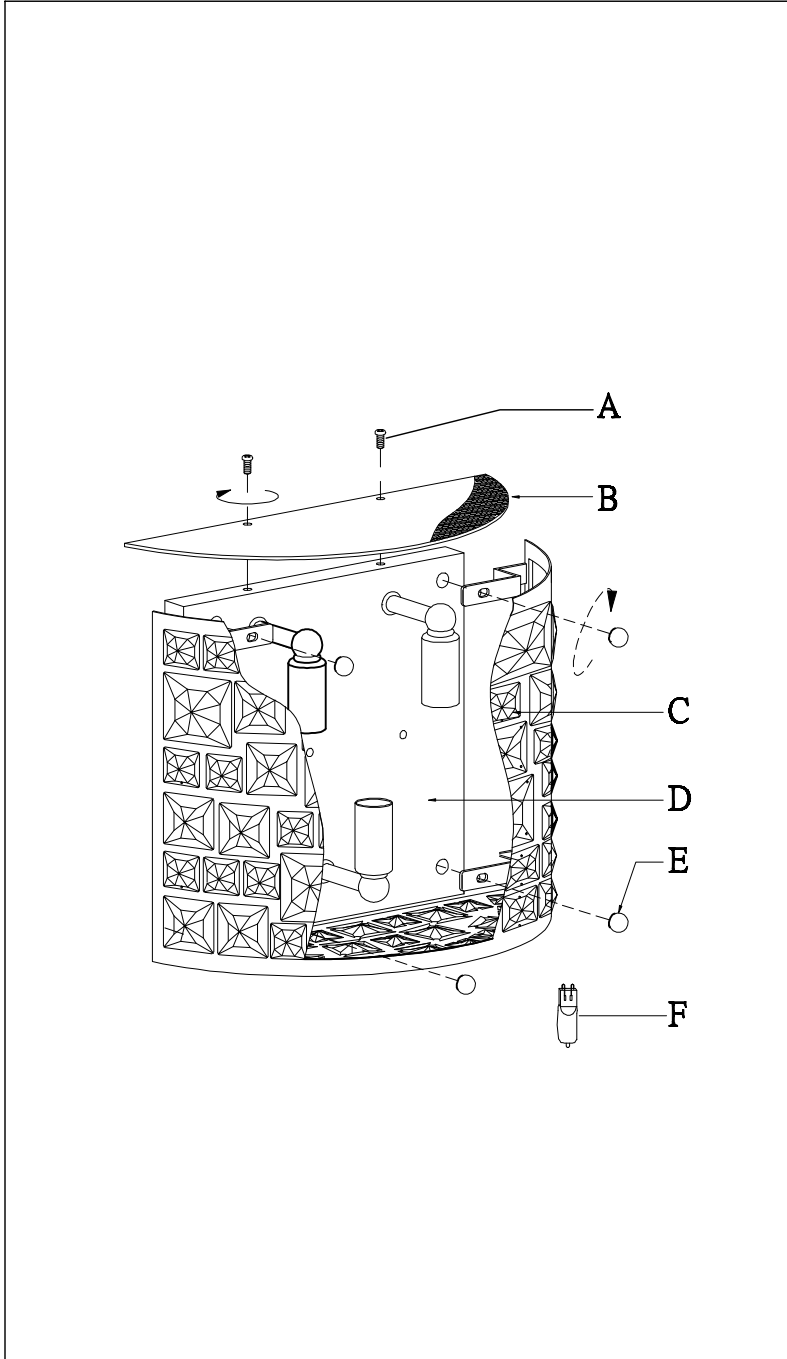
WARNING: Xenon bulbs get very hot and may burn you. Always make sure bulbs are off for a minimum of 10 minutes before handling. Fixture may be dimmed using an electronic low voltage dimmer.

Bulb(included): 3-40 Watt G9 bulbs

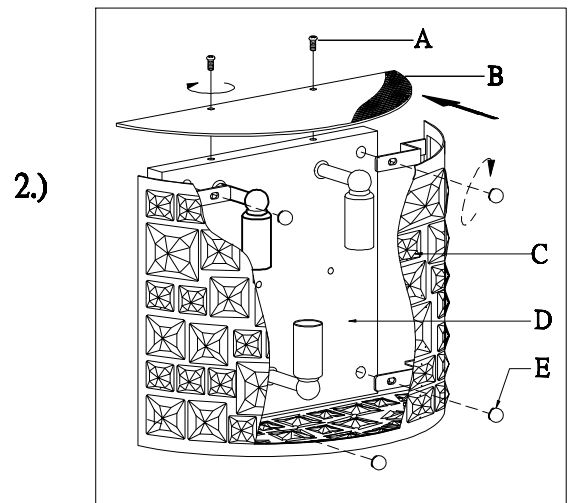
IMPORTANT: Turn off the power at the main fuse or circuit breaker box before starting installation



Locate all hardware & components before discarding packaging



Step.1: Remove mounting bracket from fixture and install to electrical box. Wire fixture to wires in outlet box. Copper wire is for Ground.



Step.2: Install back plate (D) to bracket using ball nuts (E) to secure. Install 3 G9 bulbs (F), and attach fixture (C) with ball nuts (E) at the corners. Install diffuser (B) by screwing (A) to back plate (D).

Cleaning & Care:

Clean with soft cloth and a mild detergent.
Do not use abrasive cleaner.