



SPECIFICATIONS

COS-305AGC Gas Range



Size	30 Inch / 5.0 cu. ft. Capacity
Fuel	Gas
Installation	Freestanding / Slide-In
Controls	Full Metal Knobs
Oven	Convection
Material	Stainless Steel
Electrical	120V/60Hz
Racks	2 Racks, 6 Positions
Oven Functions	Bake, Broil, Convection Bake, Oven Light
Burners	<ul style="list-style-type: none">• Triple Ring / 18,000 BTU• Rapid / 12,000 BTU• Semi-Rapid / 6,000 BTU (x2)• Auxiliary / 3,500 BTU• Bake Burner / 15,000 BTU• Broil Burner / 7,500 BTU

COS-305AGC

Bringing professional style and performance to your home's kitchen. Cosmo's COS-305AGC Gas Range features 5 high-performance burners and a 5.0 cu. ft. convection oven to allow you to create culinary masterpieces from start to finish.

Features

- Designed for freestanding or slide-in
- 5 high-performance sealed burners
- 5.0 cu. ft. convection oven
- 3 oven functions & oven light
- Digital display & timer
- Cast iron grates
- Bottom storage drawer



Digital Timer



Cast Iron Grates



Wok Grate Attachment

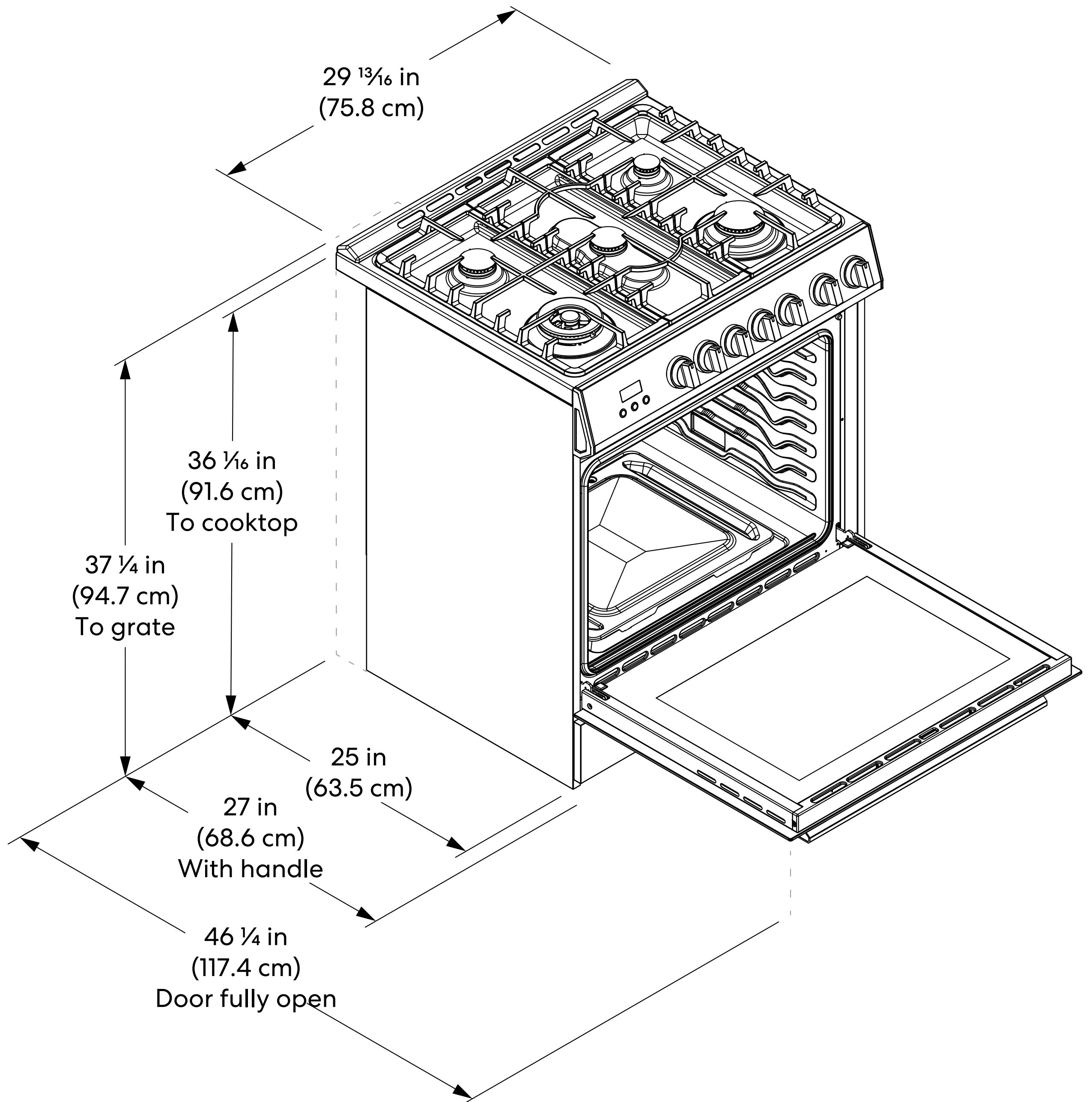


See Page 2 for dimensions



DIMENSIONS

COS-305AGC Gas Range



Dimensions (WxDxH): 29.8" x 25" x 36.1-37.3"