



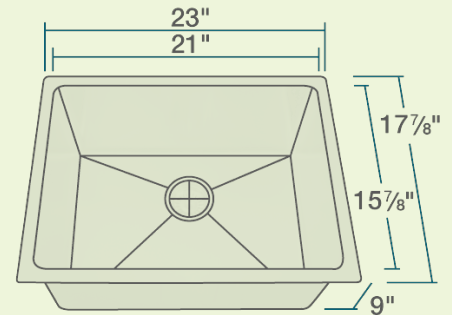
# 1823-16-SLW Single Bowl 3/4" Radius Kitchen Sink with White SinkLink

## Stainless Steel

Stainless Steel is the most popular choice for today's kitchens due to its clean look and durability. The beautiful brushed satin finish helps to hide small scratches that may occur over the lifetime of the sink. Our Stainless Steel sinks are made from high quality 14, 16, 18 or 20 gauge steel. Most models are made of one piece construction that ensures the sturdiest kitchen sink you will find. Our sinks are made from 300-series stainless steel and are guaranteed not to rust or stain. Each sink is fully insulated and has a sound dampening pad. Our stainless steel sinks are backed by a limited lifetime warranty. This sink can be mounted under a laminate countertop with the included SinkLink installation piece, creating a sleek look. Offered in white, black or gray, the SinkLink is constructed from thick durable plastic and acts as a secure barrier that keeps the foundation of the laminate countertop dry.



- 23" x 17 7/8" x 9"
- 24" Minimum Cabinet Size
- 14-, 16- or 18-Gauge Steel Available
- Certified High-Quality 304 Stainless Steel
- Offset Drain
- Thick Sound Dampener Rubber Pad
- Fully Insulated
- Cardboard Cutout Template Included
- Installation Hardware Included
- cUPC Certified (Uniform Plumbing Code)
- Lifetime Warranty
- SinkLink installation piece included



## Accessories



\*Accessories not included

16g UPC: 819084019071  
18g UPC: 841412127592

## Features

<b>Undermount Installation</b> 	<b>24" Minimum Cabinet Size</b> 	<b>18, 16 or 14 Gauge Available</b> 14G 16G 18G	<b>Cold Rolled Stainless Steel</b> 	<b>Offset Drain 3 1/2"</b> 	<b>Sound Dampening</b> 
<b>Fully Insulated</b> 	<b>Cutout Template</b> 	<b>Hardware Included</b> 	<b>cUPC Certified</b> 	<b>Limited Lifetime Warranty</b> 	