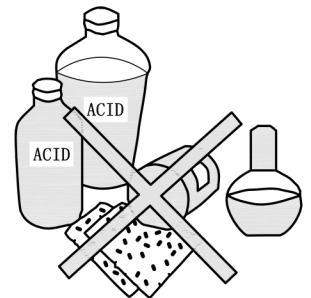
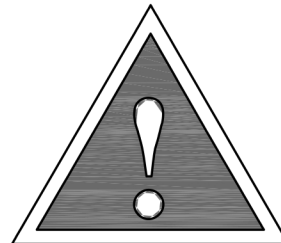
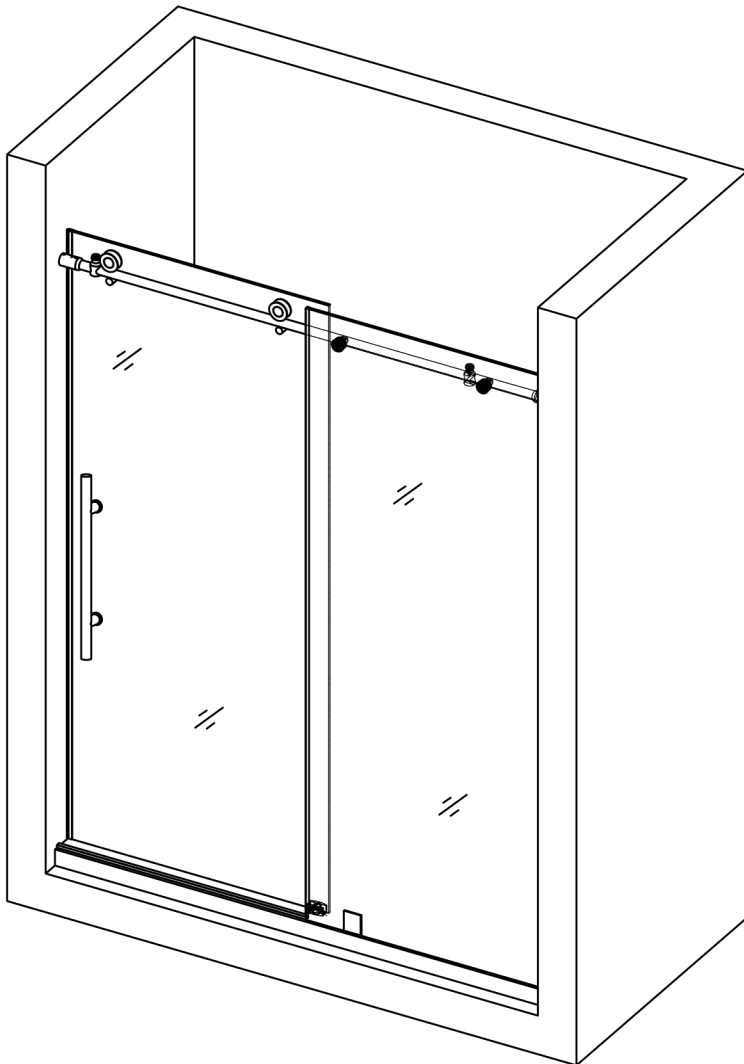


SHOWER ENCLOSURE HANGING WHEEL SLIDING DOOR INSTALLATION INSTRUCTIONS

Model: SSD6076



Maintenance tip:

The following substances or articles may cause physical harm and/or damage the shower door.

Do not use them for cleaning:

Acid and alkaline solvents, chemicals such as hydrochloric acid, acetone thinner, solvents, cleansers, or polishes, nylon brooms or sandpaper.

Our product may have changes without prior notice

PREPARATION

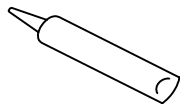
1. WE STRONGLY RECOMMEND THAT A LICENSED AND INSURED PROFESSIONAL CONTRACTOR TO INSTALL THIS PRODUCT INCLUDING THE ASSISTANCE OF A SECOND PERSON DURING INSTALLATION.
2. After opening all boxes and packages, read this introduction carefully. Check that all of the needed parts are included in the package by marking all the components on the "Detailed Diagram of Shower Door Components". Examine boxes and packages for shipping damage. If the unit has been damaged, has a finishing defect, or is missing parts, please contact our customer support department to be served immediately. Please note that We will not replace any damaged products or missing parts free of charge after 5 business days or if the product has been installed. Feel free to contact your local distributor if you have any questions.
VERY IMPORTANT: Please double check the glass corner and four edges of the glass door and fixed panel to make sure that all the glass are in perfect condition and without any breakage. Please do not try to install the shower door, if there is breakage to the glass corner.
3. Please note that you should consult your local building codes with questions on installation compliance standards. Building and plumbing codes may vary by location, and We are not responsible for code compliance standards for your project and will not accept any returns.
4. Prior to installation, ensure that the installation surface is leveled and solid and will be able to support the total weight of the unit. Also, make sure the walls are at the right angles. Irregular installation surface level or improper angle of side walls will result in serious problems during installation. Please, note that some adjustments and drilling might be necessary during the installation process.
5. **NOTE!** This door does not have out-of-plumb adjustment. Make sure your walls are at right angles.
6. This door requires a minimum 2 3/4" wide threshold, base or installation space. Please note that Step 6 calls for installation of the door to the wall using anchors. However, the manufacturer strongly recommends installing these heavy doors to the studs or to preinstalled 2" x 4" wood reinforcements behind the wall and attach the Wall brackets to it.

ATTENTION: THIS DOOR IS EXTREMELY HEAVY AND REQUIRES PROFESSIONAL INSTALLATION. INSTRUCTIONS ARE GIVEN FOR THE SHOWER DOOR INSTALLATION. PLEASE, FOLLOW THE SAME INSTRUCTIONS TO INSTALL THE GLASS DOOR. INSTRUCTIONS THAT, IF IGNORED, COULD RESULT IN DEATH OR SERIOUS PERSONAL INJURY CAUSED BY INCORRECT HANDLING OR INSTALLATION OF THE PRODUCT. THESE INSTRUCTIONS MUST BE OBSERVED FOR SAFE INSTALLATION.

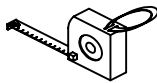
TOOLS REQUIRED



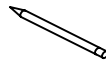
Soft Cloth
or Blanket



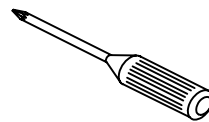
Caulk



Tape
Measure



Pencil



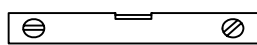
Phillips
Screwdriver



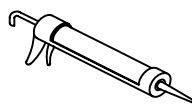
Drill Bit
=ø8



Safety Glass



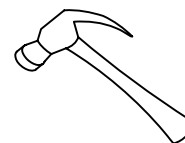
Level



Caulk Gun

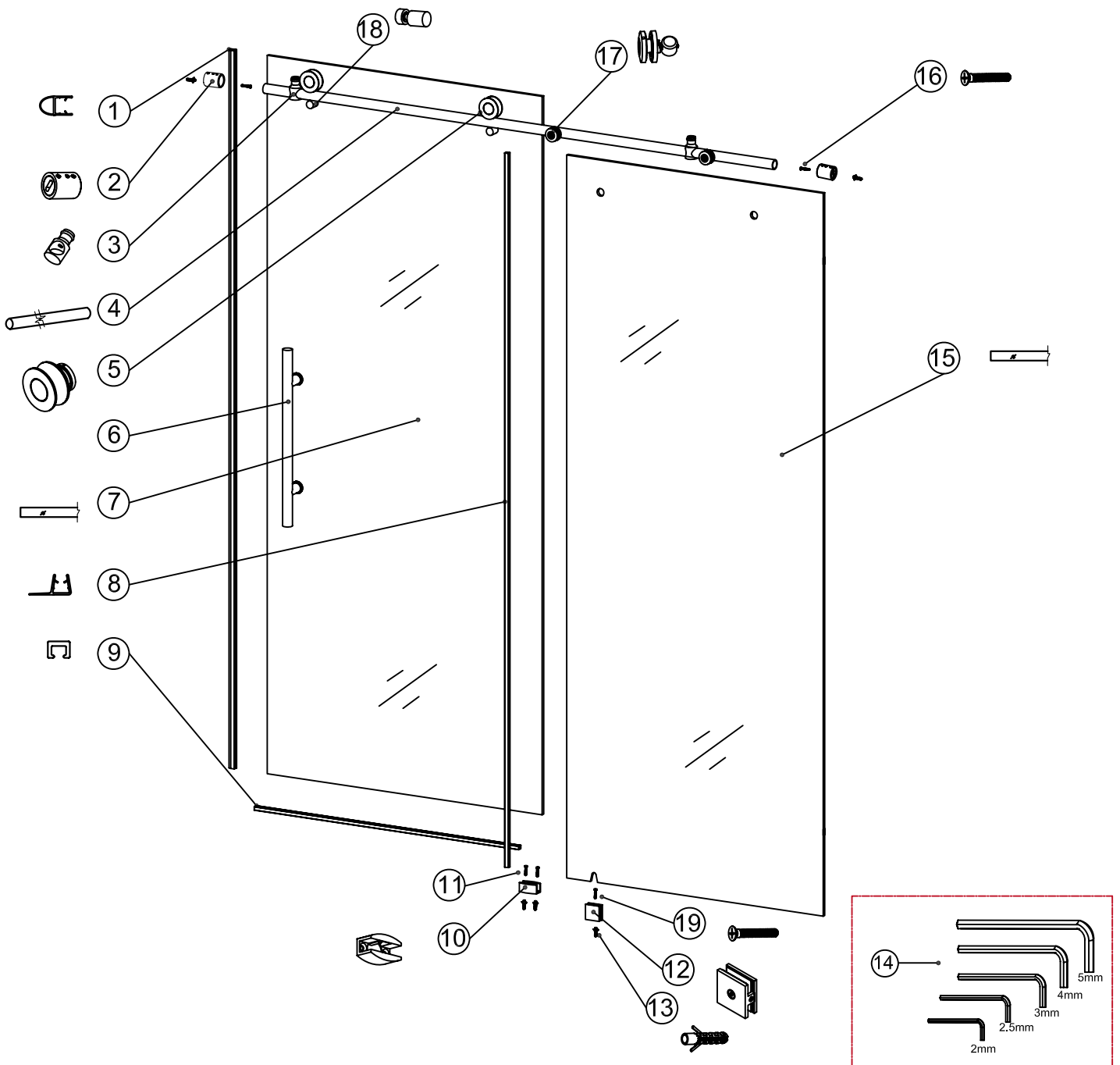


Drill



Hammer

OTHER TOOLS MAY BE REQUIRED



No.	Description	QTY	No.	Description	QTY
1.	Bumper Strip	1 pc	12.	Wall Mount Clamp	1 pc
2.	Guide Rail Bracket	2 pcs	13.	Wall Anchor	5 pcs
3.	Glass Door Stopper	2 pcs	14.	Allen Key	5 pcs
4.	Upper Guide Rail	1 pc	15.	Stationary Glass	1 pc
5.	Roller	2 pcs	16.	Screw M5X60	2 pcs
6.	Handle	1 pc	17.	Glass Bracket	2 pcs
7.	Glass Door	1 pc	18.	Safety Pin	2 pcs
8.	Side Anti-Water Strip	1 pc	19.	Screw M4X30	1 pc
9.	Anti-splash Threshold	1 pc			
10.	Guide Block	1 pc			
11.	Screw M5X30	2 pcs			

TIPS

01:

Open the packaging carefully and inspect all the necessary parts using detailed diagram and component list in your manual as a reference. Before discarding the carton, check for small hardware bags that tend to fall to the bottom of the box. If any parts are damaged or missing, please contact us for replacement.

02:

Retain these installation instructions for future use if in need.

1. Measure the distance between two finished walls. This distance is marked as W .

Please see Fig 1 for details:

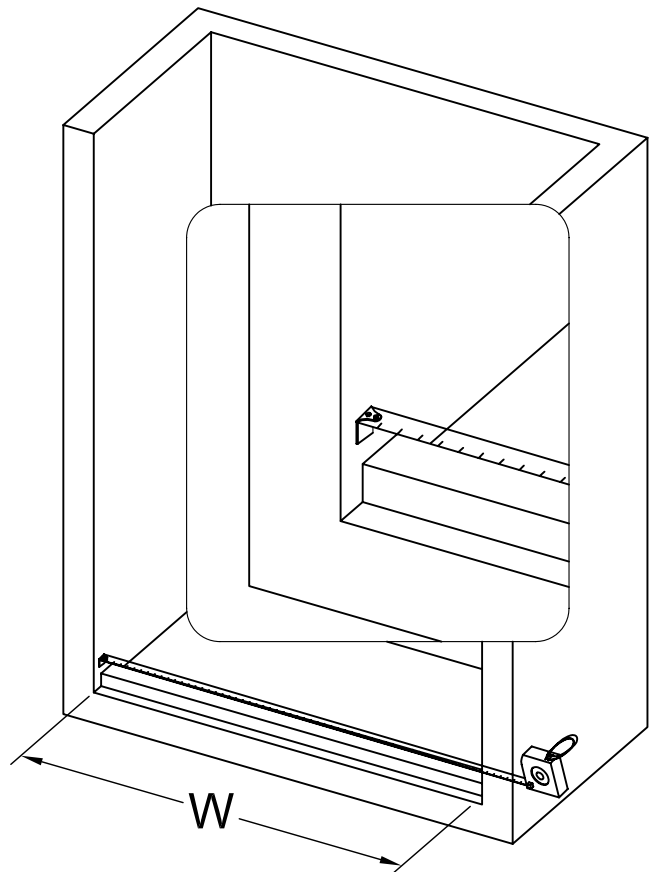
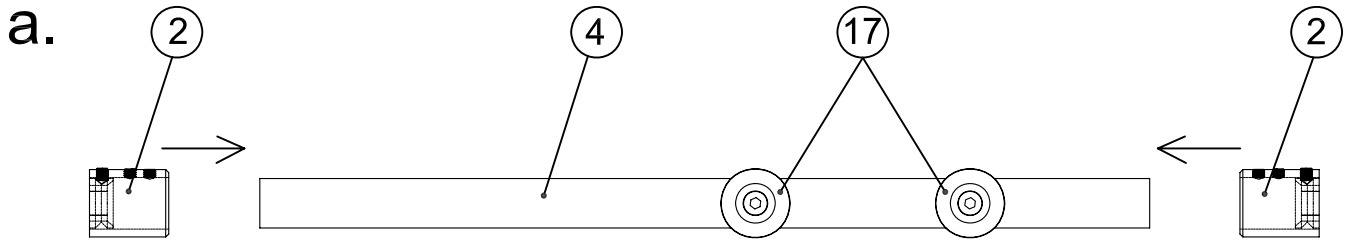
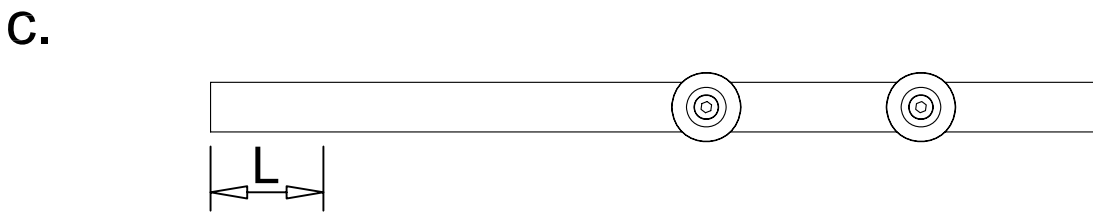
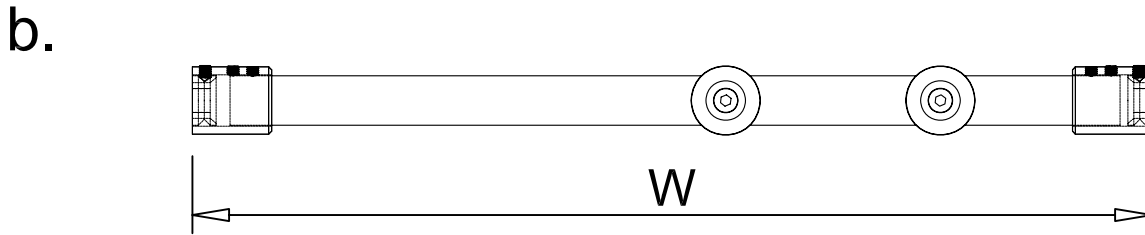


Fig 1



Note: The Glass Brackets(17) have been pre-installed to the Upper Guide Rail(4).



2. Your Upper Guide Rail (04) has been pre-cut for your Shower model opening width, eg. 60" for shower width.

If W-width of your wall-to-wall opening is equal to the size of your Shower model, it is unnecessary to cut the Upper Guide Rail and you can continue to Step 3.

If W-width of your wall-to-wall opening is less than the size of your Shower model, you will need to cut the Upper Guide Rail from the end which is farther from the Glass brackets (17) holes.

The length to cut off will be L:

$L = \text{Shower model size} - W$
 $L = \text{Subtract } W \text{ from the size of your Shower model.}$

FOR EXAMPLE

If your wall opening $W = 59"$. Your shower model is 60".

$L = 60" - 59" = 1"$,

You have to cut 1" off from the rail.

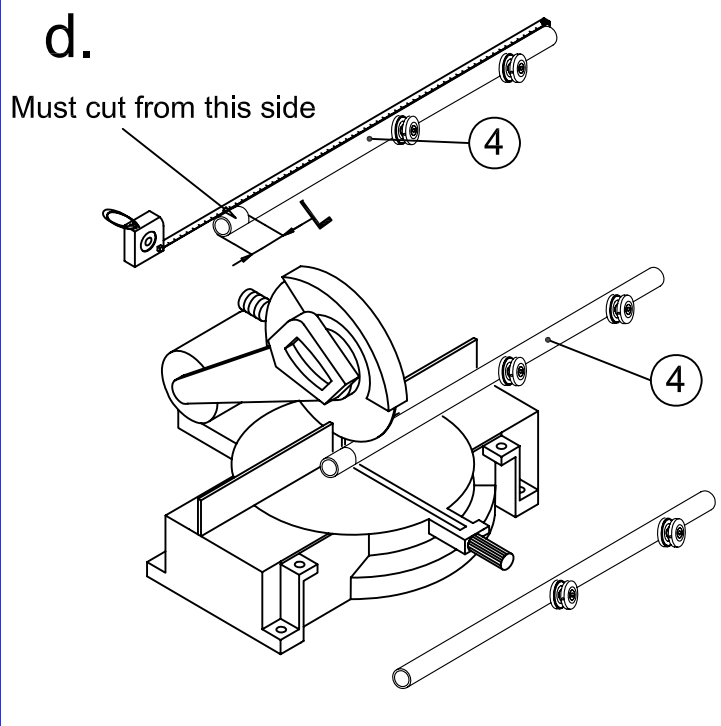


Fig 2

Please see Fig 2 for details

3. Install Stationary Glass

3.1. Install Side Anti-Water Strip (8) on the side of Stationary Glass (15).

3.2. Disassemble the Wall Mount Clamp (12) and install the wall clamp on the Stationary Glass (15).

3.3. Place the stationary glass to the wall, level it and draw holes on the shower base/threshold through the holes on the Wall Mount Clamp (12).

Please see Fig 3 for details

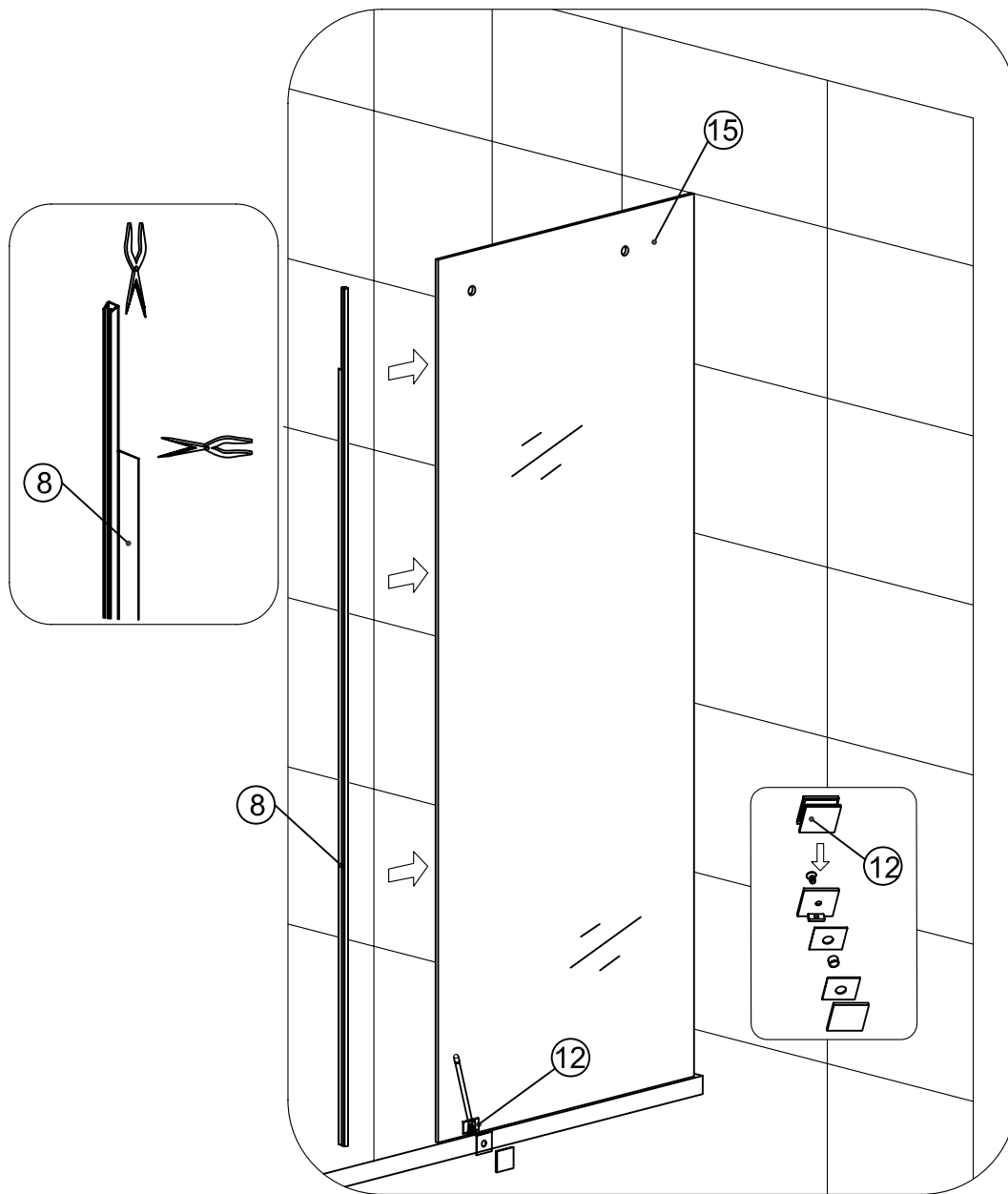


Fig 3

4. Use 5/16" drill bit to drill holes on the shower base/threshold and knock in 5/16" Wall Anchors (13), then lock the stationary glass to the wall by Philip's Screw M4*30(19).

Please see Fig 4 for details

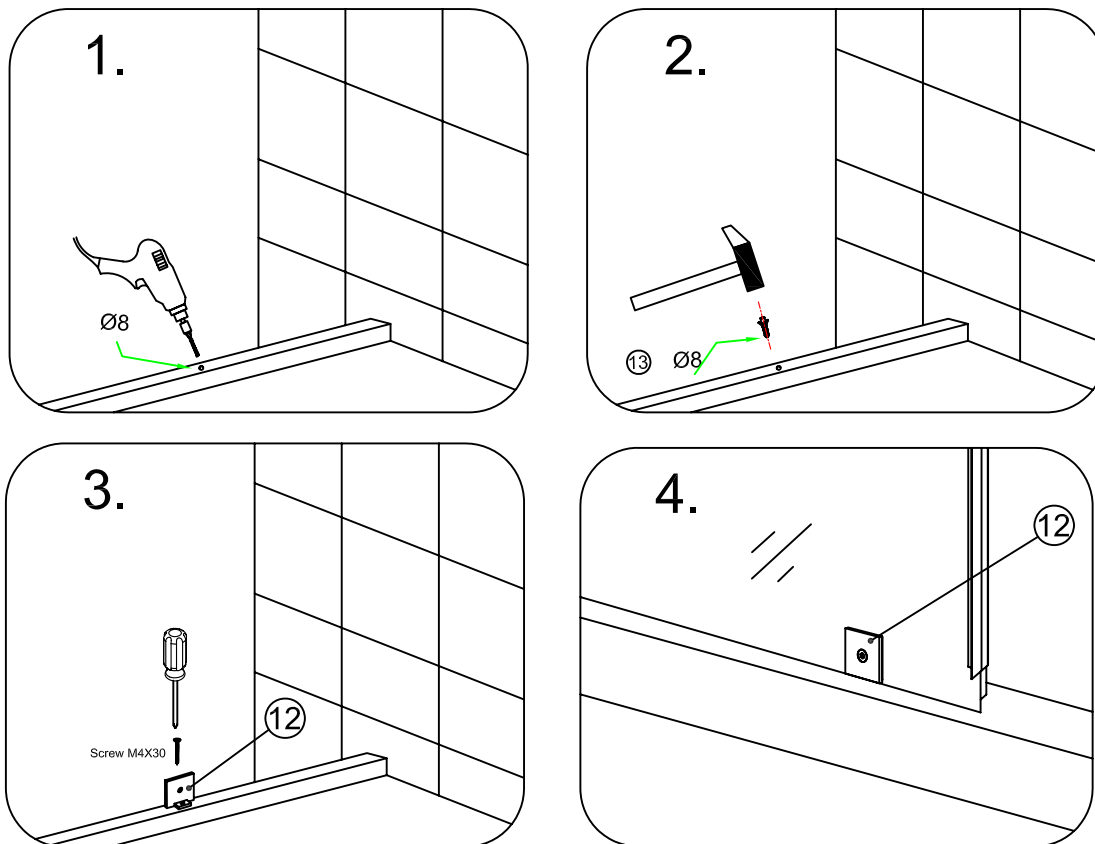


Fig 4

5. Install guide rail

5.1. Loosen the screw on Guide Rail Bracket (02), pull out the wall bracket. Please see Fig 5 for details

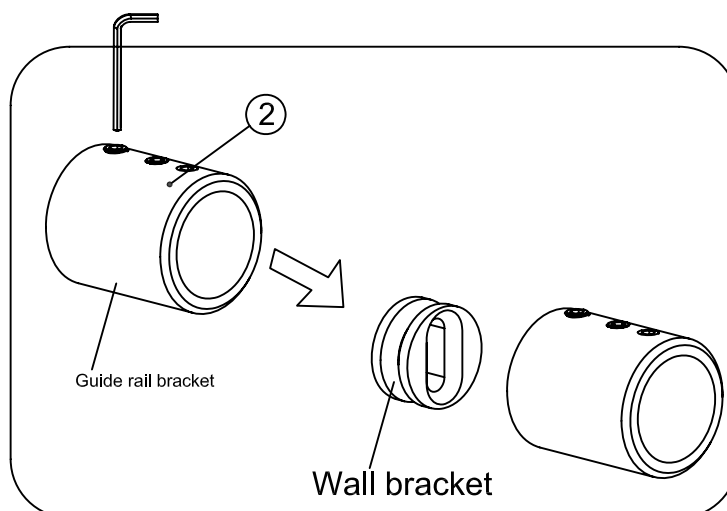


Fig 5

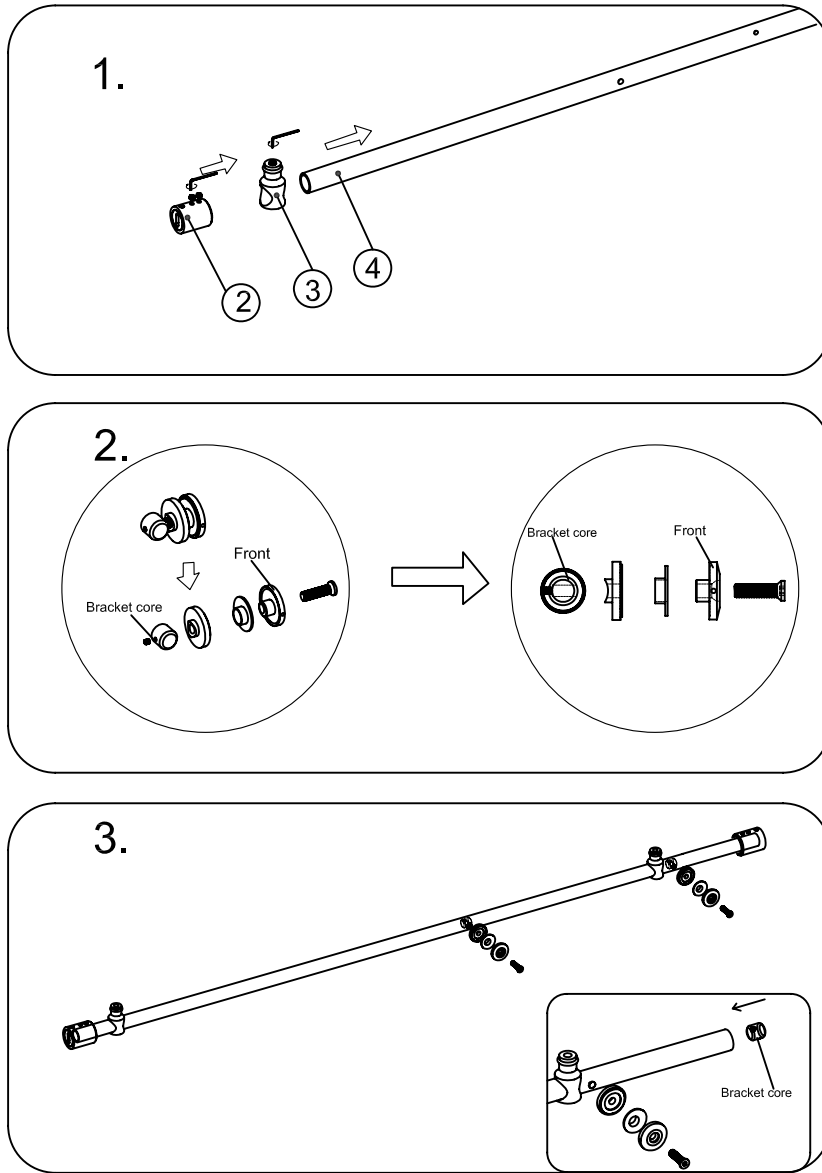


Fig 6

6. Use the Allen key (14) to loose the screw on the Guide Rail Bracket (02) and Glass Door Stopper (03). Slide the stopper and then the bracket to the Guide Rail (04), use the allen key to tighten the parts to the guide rail temporarily.

Disassemble the Glass Bracket (17), insert the bracket core inside the guide rail tube, push it slowly to make the hole on the core match the hole on the tube, then lock the bracket back side with Allen Key(14) .

See Figure 6 for details.

7. After finished installing the Upper Guide Rail(04), lock the glass bracket front side so as to lock the Stationary Glass(15) to the Upper Guide Rail(04).

Please see Fig 7 for details.

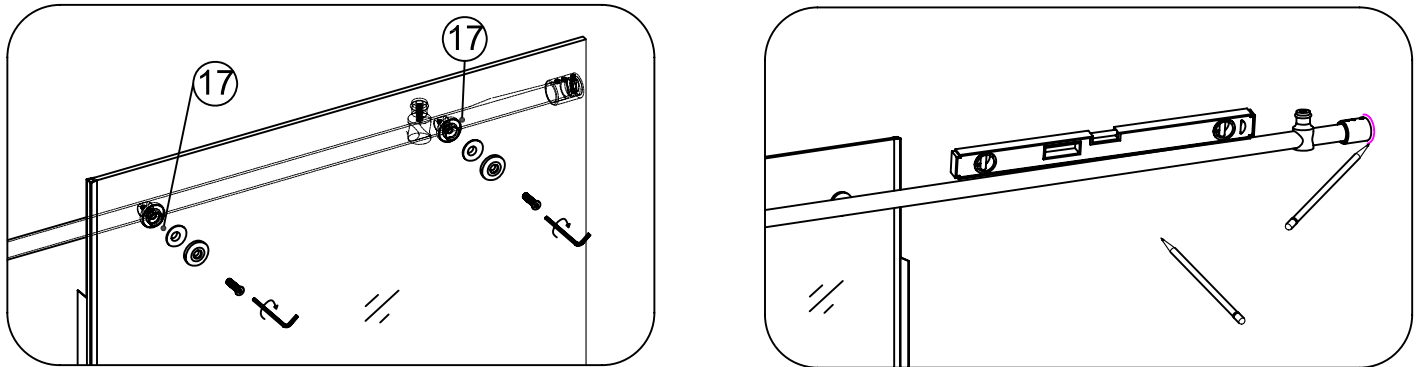


Fig 7

8. Make sure the Stationary Glass (15) and the Upper Guide Rail (04) are leveled, if a horizontal adjustment is required, adjust it in the Glass Brackets (17).

Slide the Guide Rail Bracket (02) against the wall, outline the guide rail brackets position. Put the wall bracket to the outlined position and drawing the drilling holes in the wall.

Please see Fig 8 for details.

Warm tips:

1.the other side of the wall bracket are positioned in the same way.

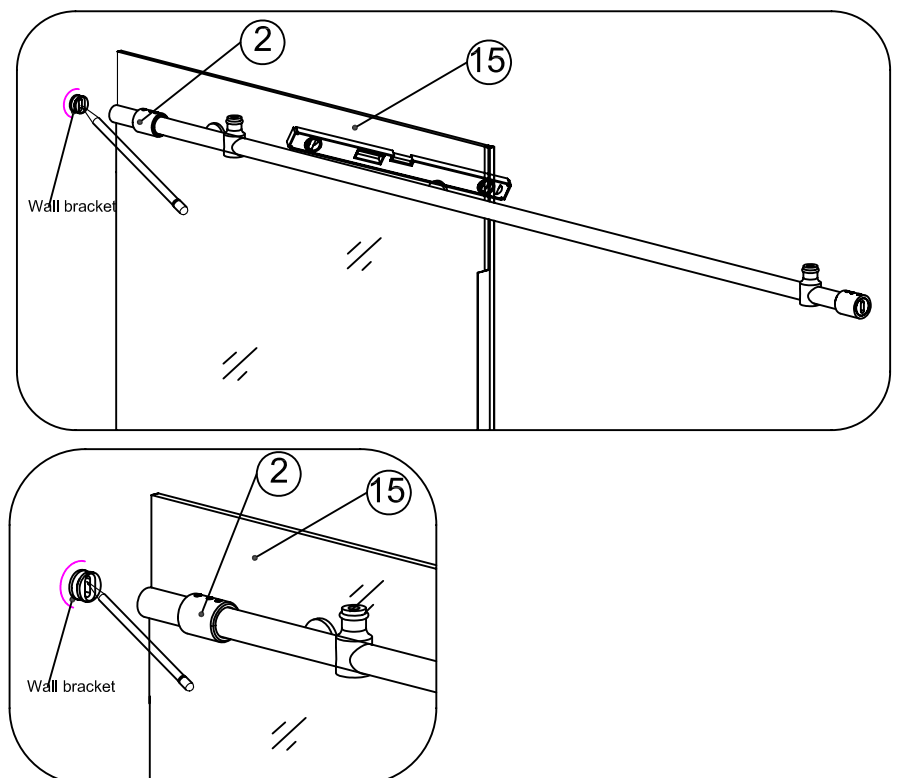


Fig 8

9. Drill holes with 5/16" drill bit and knock in 5/16" anchor(13), then use Philip's screw M5*60(16) to lock the wall bracket to the wall.

Please see Fig 9 for details

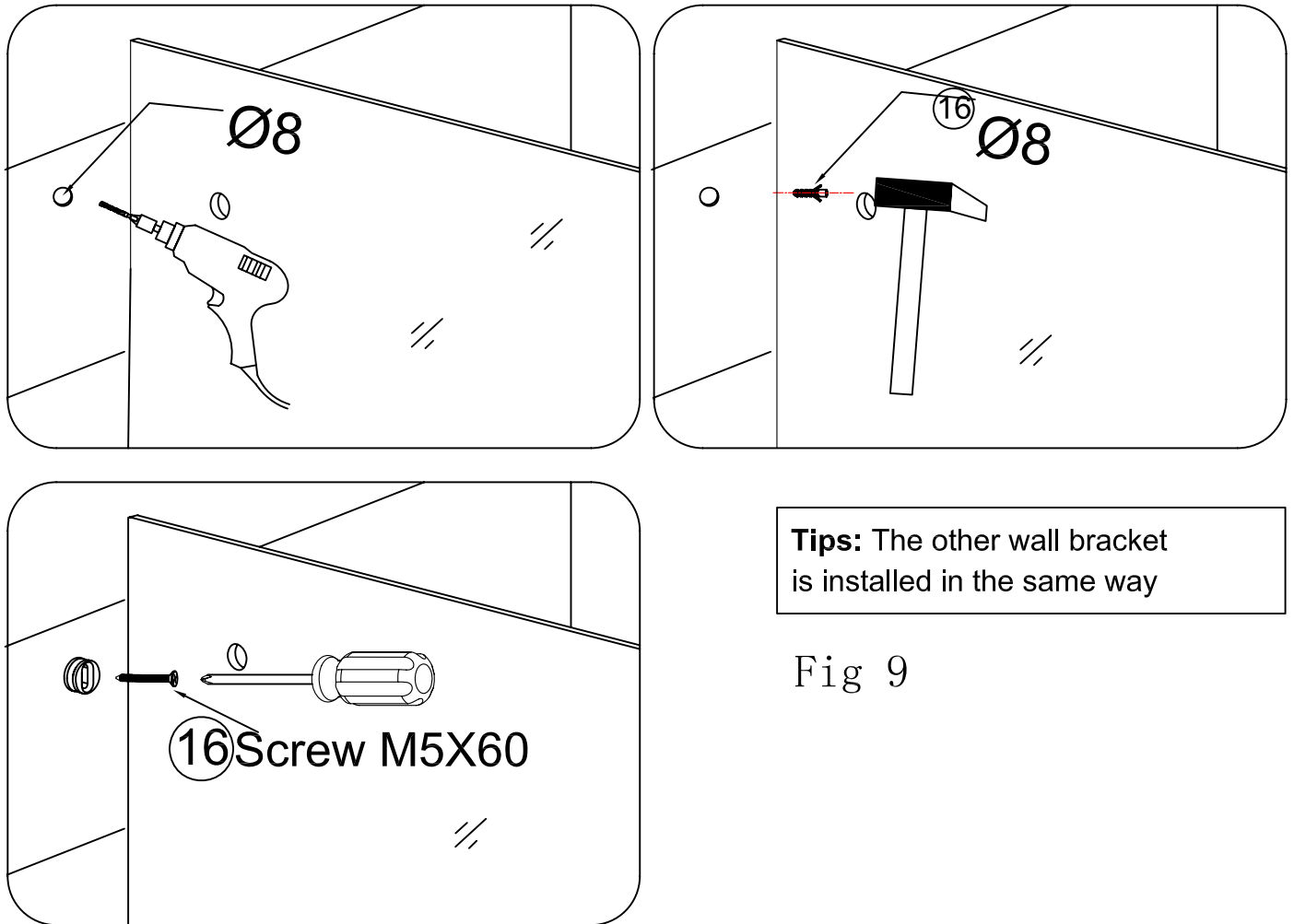


Fig 9

10. Slide the guide rail bracket (02) to the two end sides of the guide rail, fixed the guide rail bracket to the wall bracket with hexagon spanner(14).

Please see Fig 10 for details

Tips:

1. the other side of the guide rail and guide rail bracket are installed in the same way.

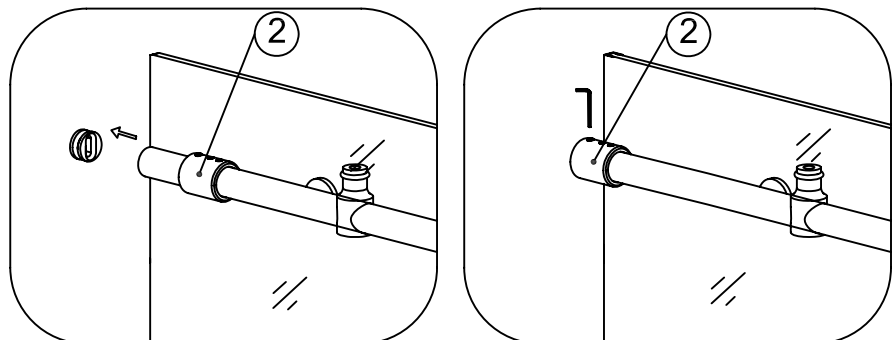


Fig 10

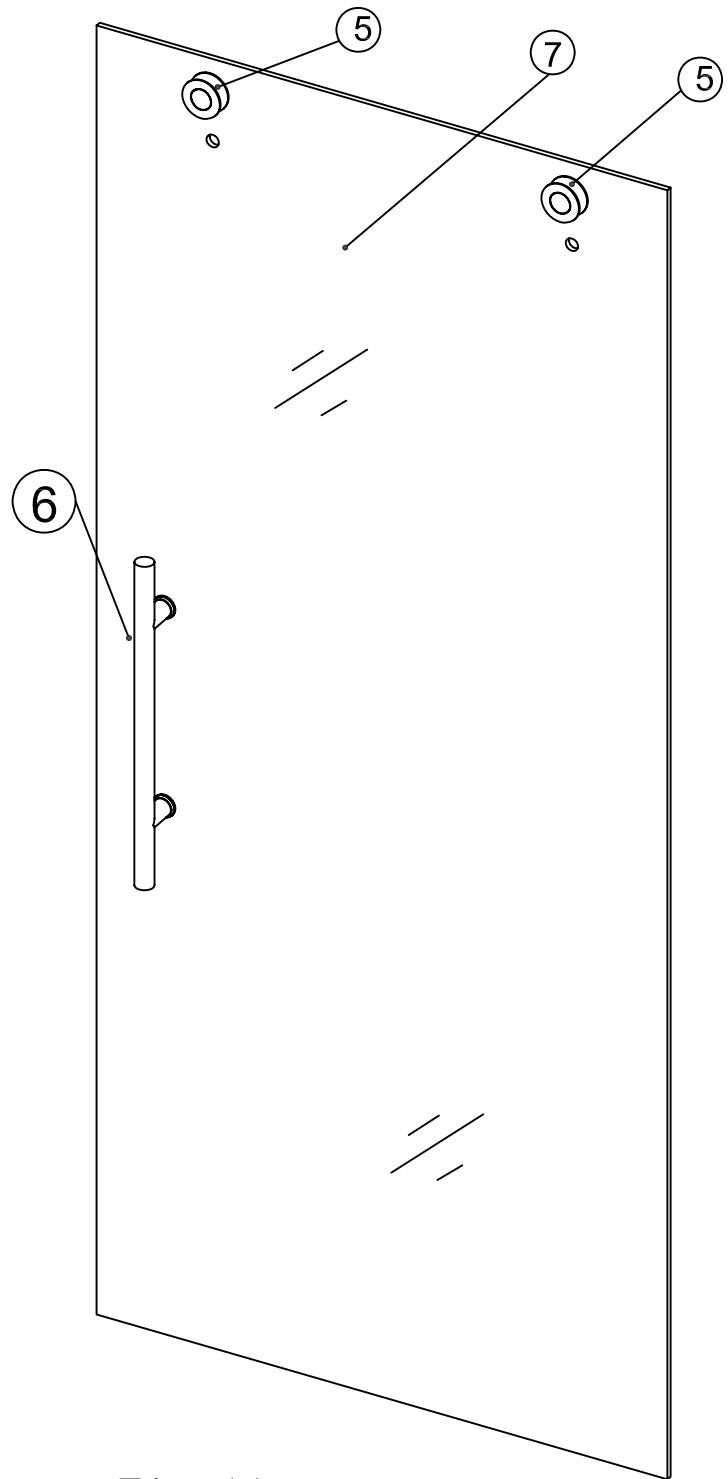
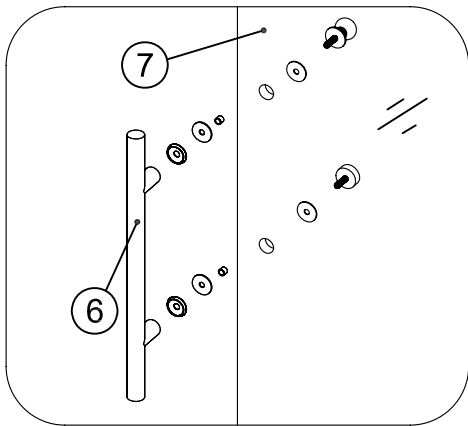
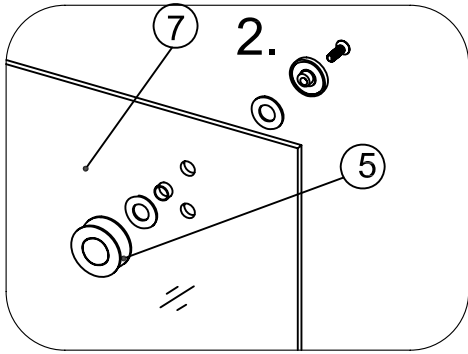
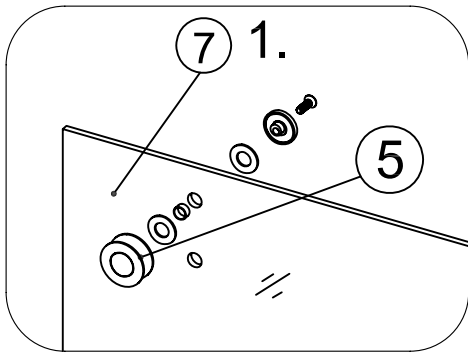


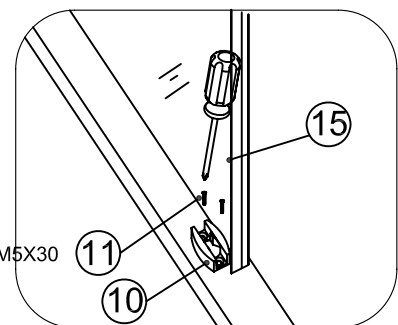
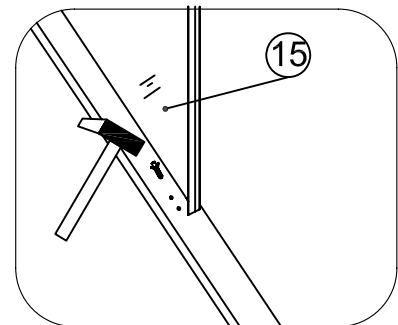
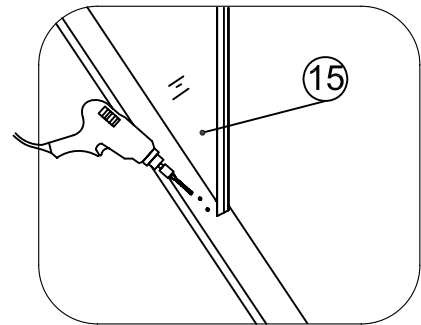
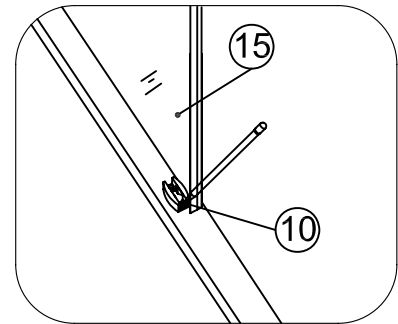
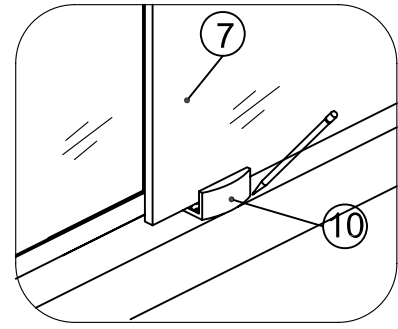
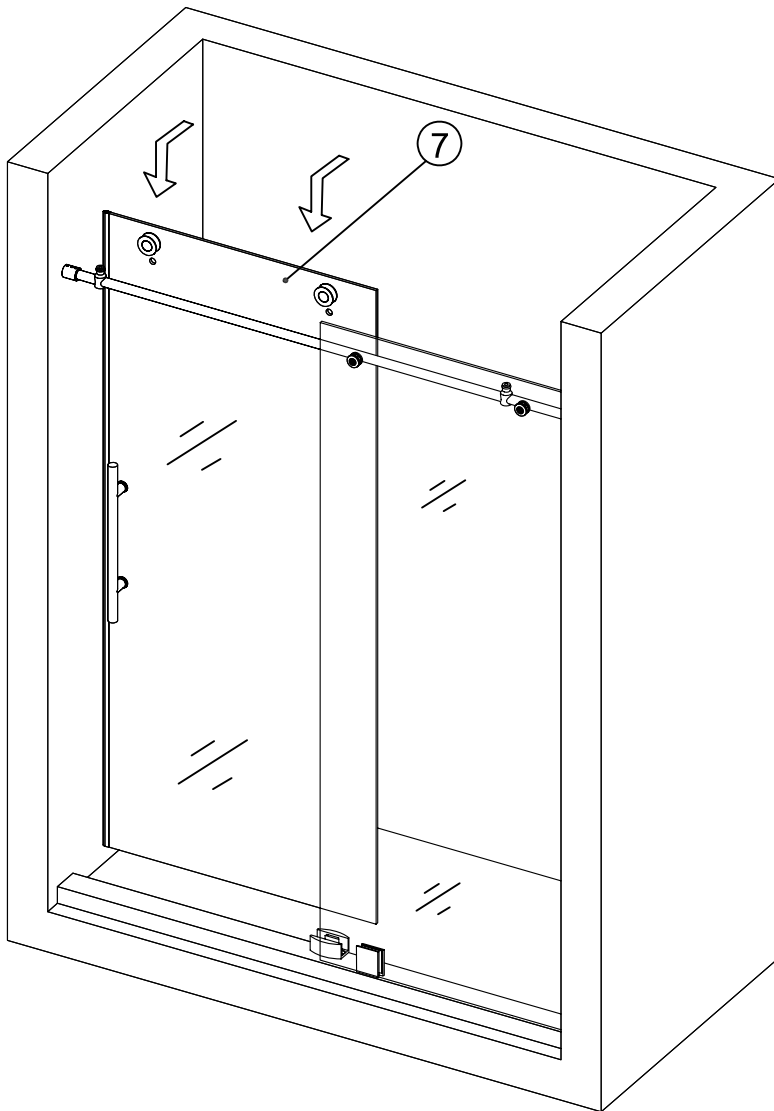
Fig 11

- 11. Install Glass Door
- 11.1. Install Rollers (05)
- 11.2. Install Handle (06)

Please see Fig 11 for details

12. Rise the moving glass to make rollers hang to the top guide rail and place the glass bottom side to the Guide Block (10) slowly.
Make sure that the Glass Door (07) will slide in the guide block, outline the drilling position, install the guide block to the shower base/threshold.

Please see Fig 12 for details



Screw M5X30

Fig 12

13. Install strips

Please see Fig 13 for details

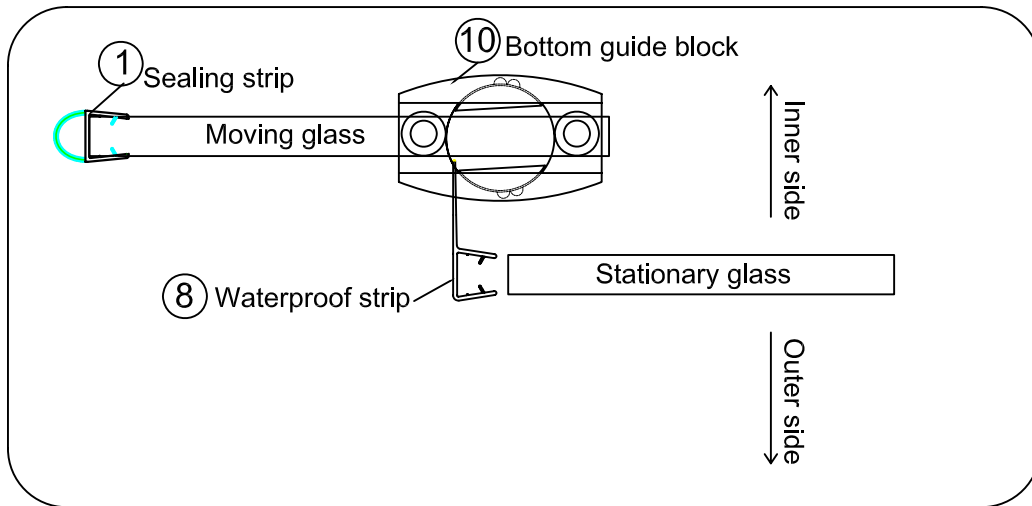


Fig 13

14. Install the safety pin

14.1. Make sure that the Glass Door with Rollers hangs to the Upper Guide Rail (04), and the glass bottom is inside the Guide Block (10), now adjust glass to vertical and then lock the Safety Pin (18).

Please see Fig 14 for details

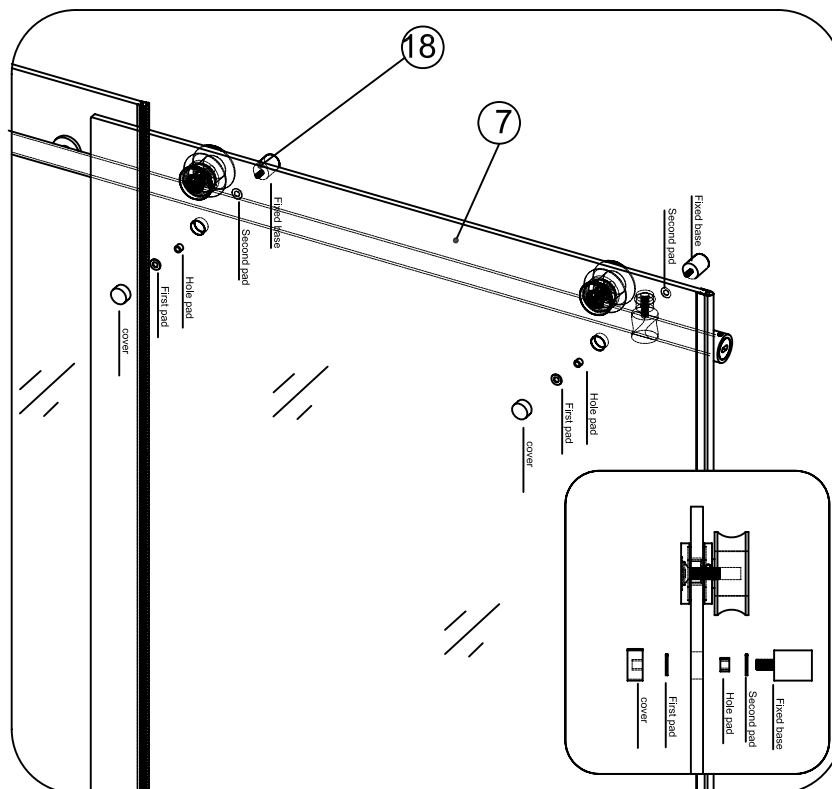


Fig 14

15. Adjust the roller and fix the Glass Door Stopper

15.1. Adjust the fasteners on both Rollers (05) to ensure that the bottom edge of the Glass Door (07) will not touch the bottom of the Guide Block (10).

8.2. Push the Door Stopper (03) close to the wall side, slide the moving door to make Roller contact to the stopper and get perfect space then lock the stopper bottom screw.

Please make sure that the glass door especially the door corners will not hit the walls when closed and opened

Please see Fig 15 for details

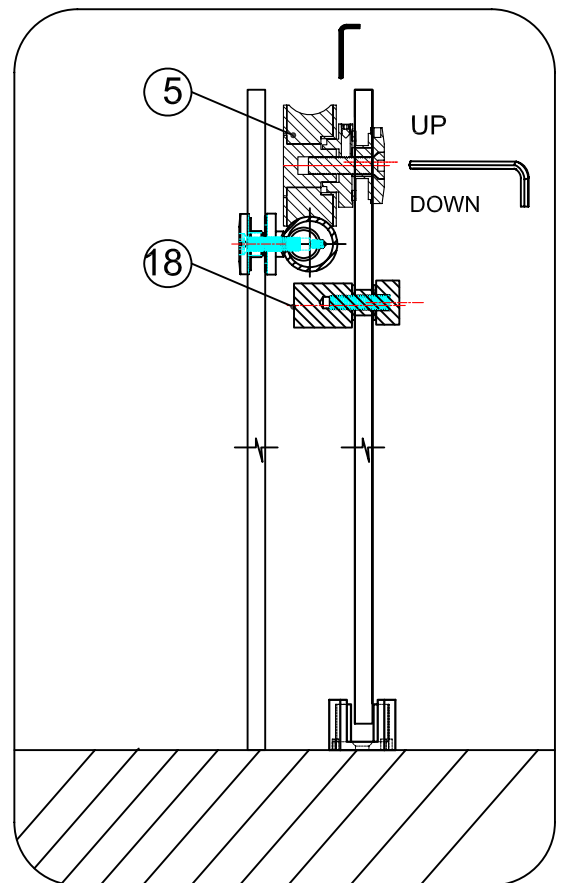
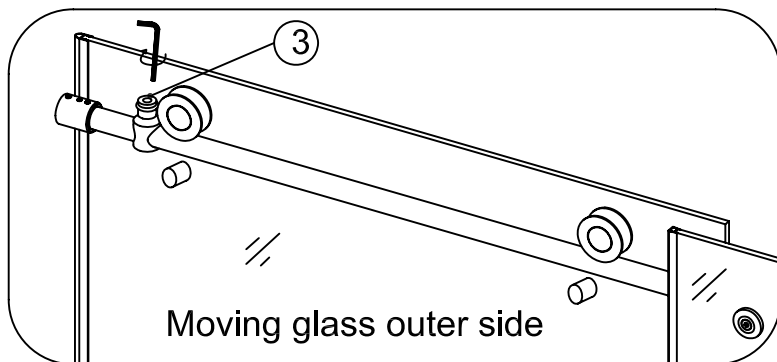
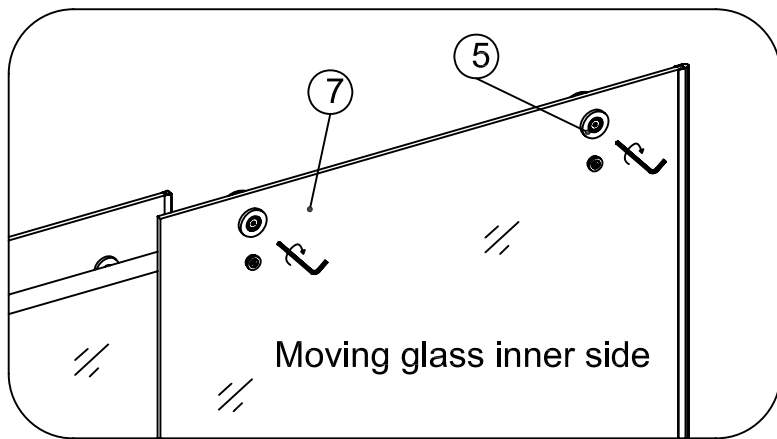


Fig 15

16. Install the anti-splash threshold

Put the Anti-splash Threshold (09) in front of the Glass Door (07) on the shower base/threshold, seal it to the shower base/threshold with silicone.

Please see Fig 16 for details

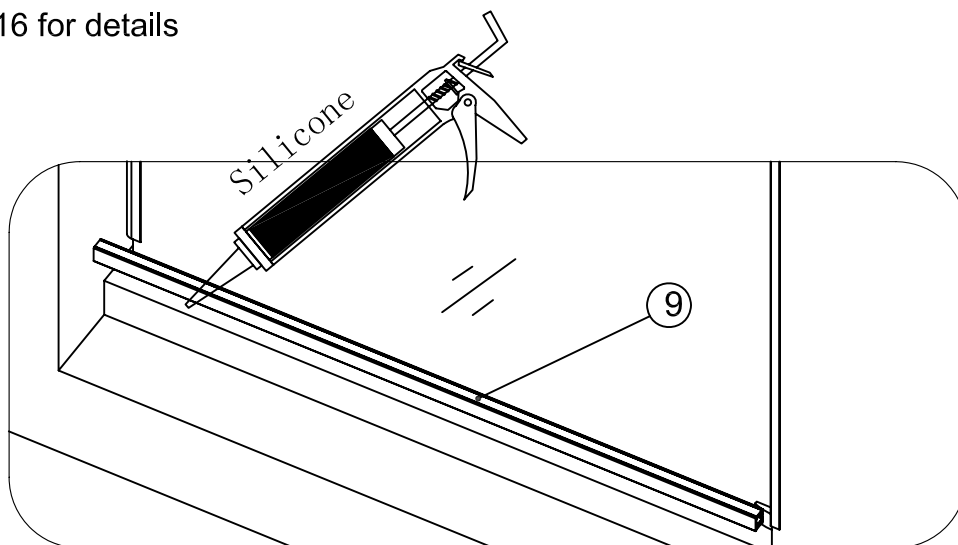


Fig 16

17. Apply the sealant on the seams between the bottom sealing strip and the shower base/threshold; and between the stationary glass and wall.

Please see Fig 17 for details

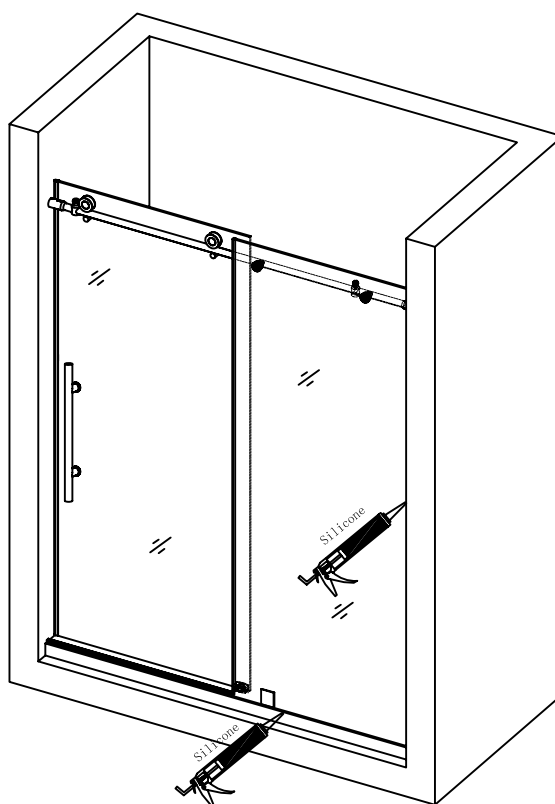


Fig 17

IMPORTANT:
MUST ALLOW SILICONE TO DRY FOR 24 HOURS BEFORE STARTING USING THE SHOWER ENCLOSURE