

ASSEMBLY INSTRUCTION



SUNPAN®

Sunpan Product Name: **TOMETI QUEEN BED**

Please visit our website www.sunpan.com for more great products

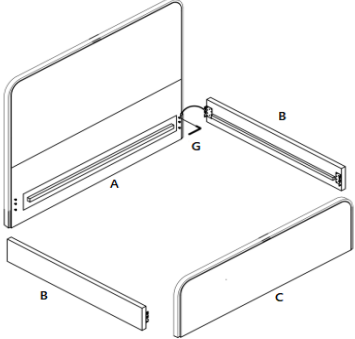
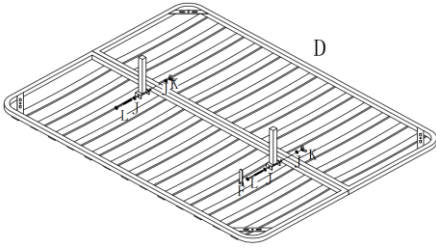
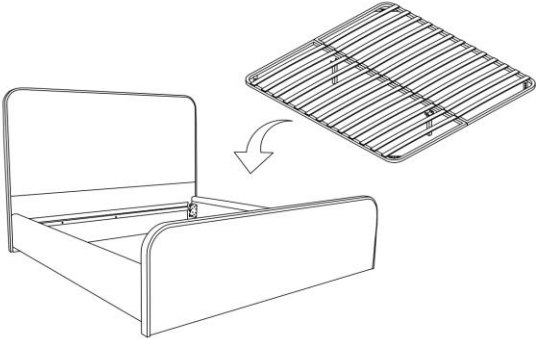
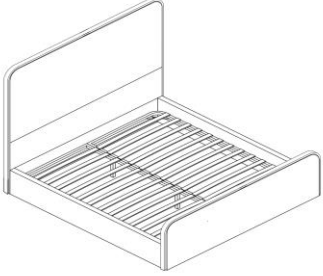
For assembly questions please call **1-800-787-1019 (or +1-416-736-0094)** outside North America or email to info@sunpan.com

PARTS LIST

Before you begin, please layout all parts and ensure you have the correct count.

PARTS	DESCRIPTION	QUANTITY	ILLUSTRATION
A	Headboard	1	
B	Side Rail	2	
C	Footboard	1	
D	Folding Slats	1	
F	Spanner (M4)	1	
G	Allen Key (M5)	1	
J	Washer (M6)	4	
K	Wing Nut(M6)	2	
L	Bolt (M6x80mm)	2	
M	Slats Middle Support Leg	2	

ASSEMBLY INSTRUCTIONS

STEPS	DESCRIPTION	ILLUSTRATION
1	Please loosen the Inner Hexagon Screw on Headboard (A) and Footboard (C) before you slide the Side Rail (B) in. Then lock well with Allen Key (G).	
2	Open the Folding Slats (D), and install the Slats Middle Support leg (M) with the Bolt (L), Washer (J) and Wing Nut (K) with the help of the Spanner (F).	
3	Then put the finished slats system into the bed.	
4	Assembly is completed.	

ASSEMBLY TIPS:

Please check parts and hardware before assembling. Follow each instruction step by step.
 Place a protective pad or piece of cardboard on the floor while assembling your item on top of it.
 Remove all parts from the carton and separate them into part numbers/groups as indicated on the part list.
 Please follow instructions in the sequence as numbered to assure fast/easy assembly.

WARNING:

Don't attempt to repair or modify parts that are broken or defective - if you find a broken part please contact us for replac
 Keep all hardware parts out of the reach of children.

FURNITURE CARE:

Following these few basic steps will help to ensure that you enjoy your furniture for a long time:

Do not expose your furniture to direct sunlight, dampness or any heat, like a hot cup of coffee or tea. Always use a coaster

Excessive exposure to sunlight may cause fading.

Excessive temperature and humidity or cold may cause cracking or splitting.

Dust with a clean, damp, lint free cloth.

Use a damp cloth with water or mild detergent to clean all surfaces - do not use chemicals or paint thinner which will fade the surface.

Place a piece of felt or a pad under the legs of your furniture to avoid scratching the floor.