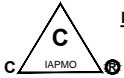
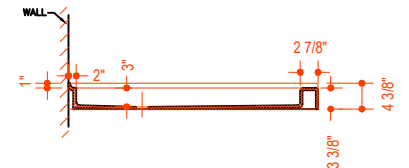
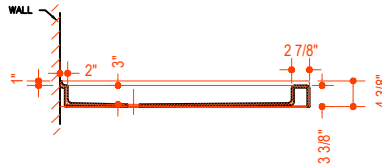
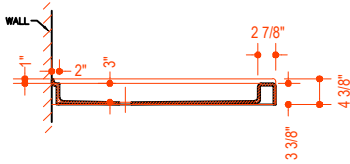
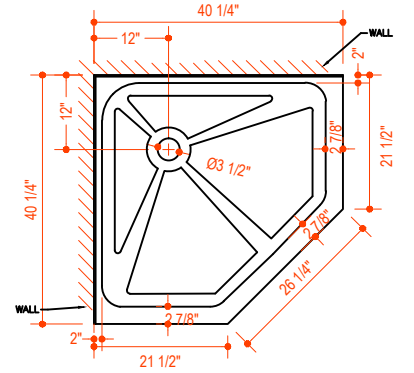
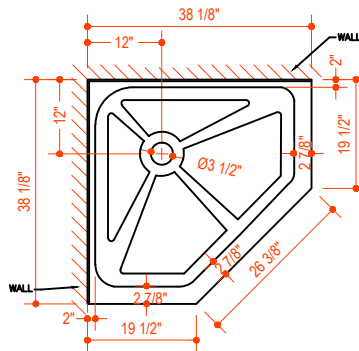
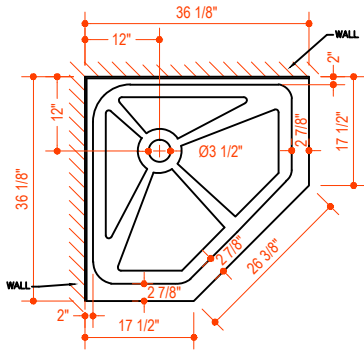


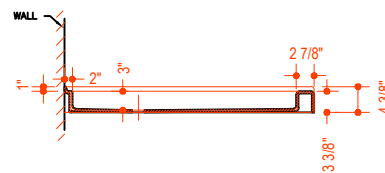
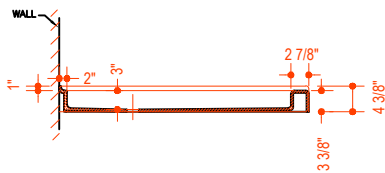
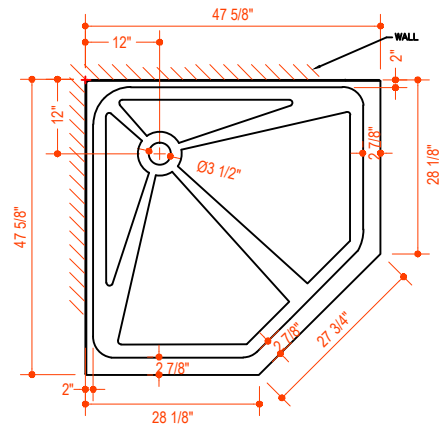
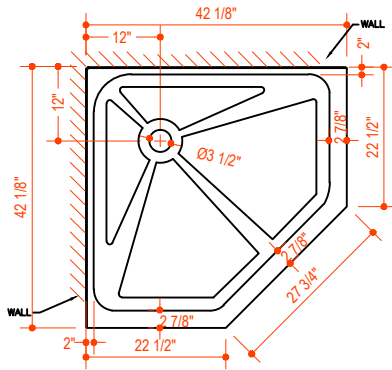
**DIMENSIONS OF MODEL VG06068**



**MODEL VG06068XXX3636**

**MODEL VG06068XXX3838**

**MODEL VG06068XXX4040**



**MODEL VG06068XXX4242**

**MODEL VG06068XXX4747**