



9300122

LUTHER KD  
FABRIC GASLIFT  
SWIVEL BAR STOOL

ASSEMBLY  
INSTRUCTIONS

HARDWARE

Ax4



M6X16MM

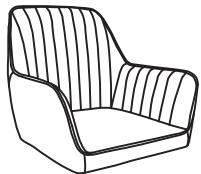
Bx1



M6

PARTS

1x1



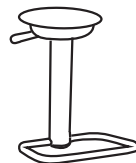
2x1



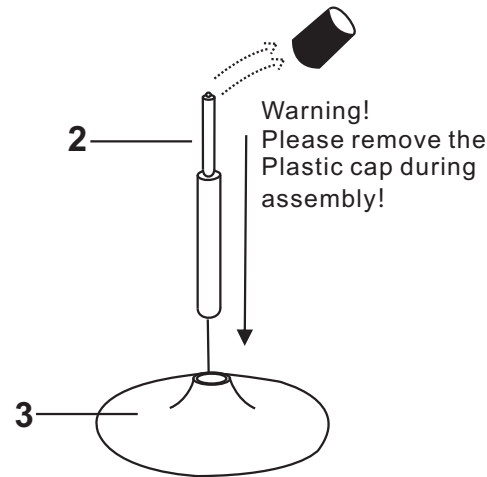
3x1



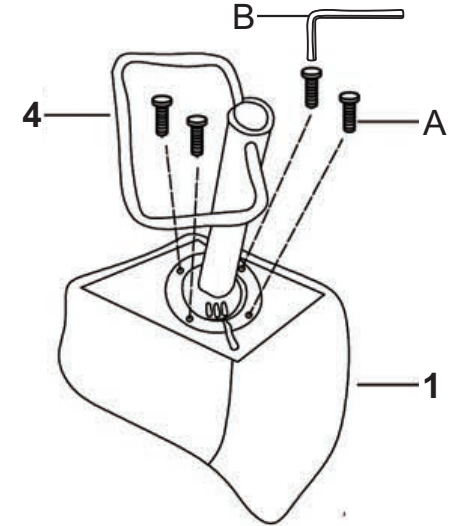
4x1



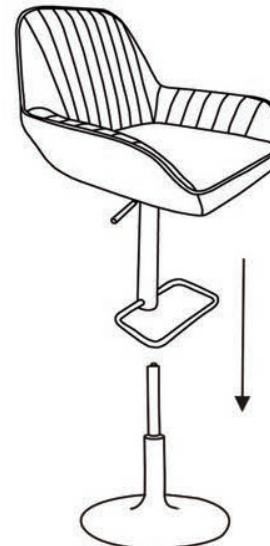
(1)



(2)



(3)



(4)

