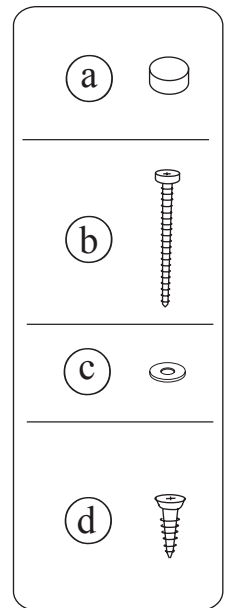
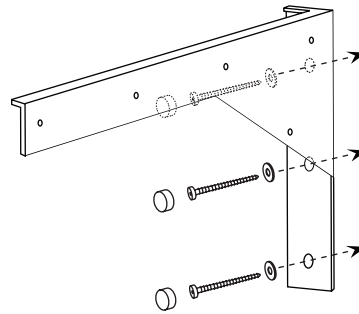
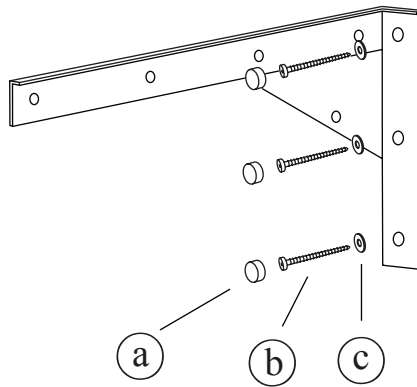


**NOTE:** (U.S. Customers) Please disregard Plastic Anchors in hardware kit.

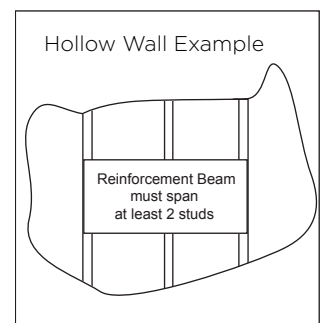
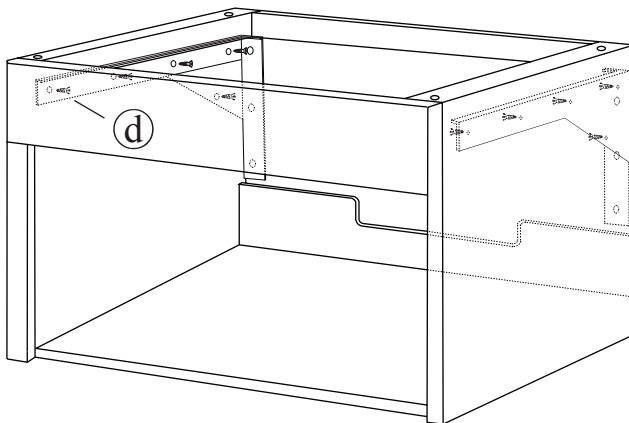
When installing cabinet onto a hollow wall, the use of a horizontal reinforcement beam such as a 2" x 8" or 2" x 10" spanning at least two vertical studs is required.

Cabinets that are installed onto a hollow wall without a reinforcement beam will void the manufacturer warranty.

**STEP 1:**



**STEP 2:** Attach the cabinet to the wall bracket

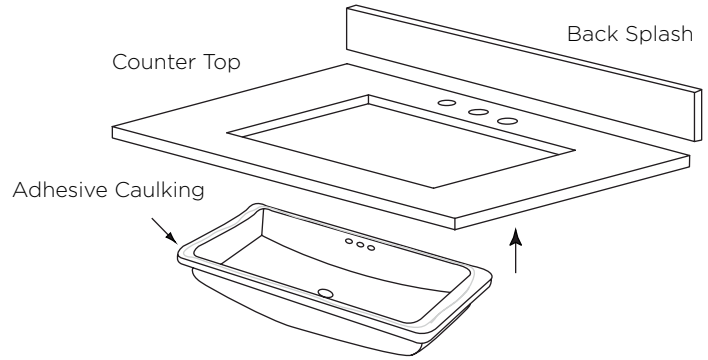


**NOTE:** For installing under counter sink with counter stop

**STEP 1:** Apply adhesive caulking around the topside of rim near the edge. Carefully raise sink in place, align, and press firmly

*See Figure 1.*

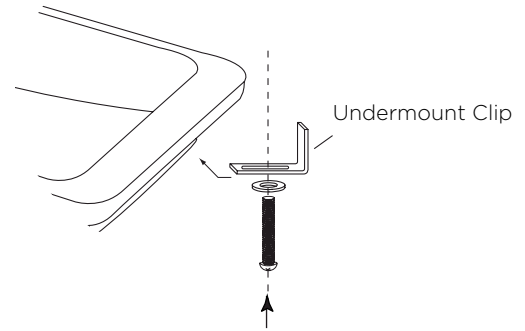
**Figure 1.**



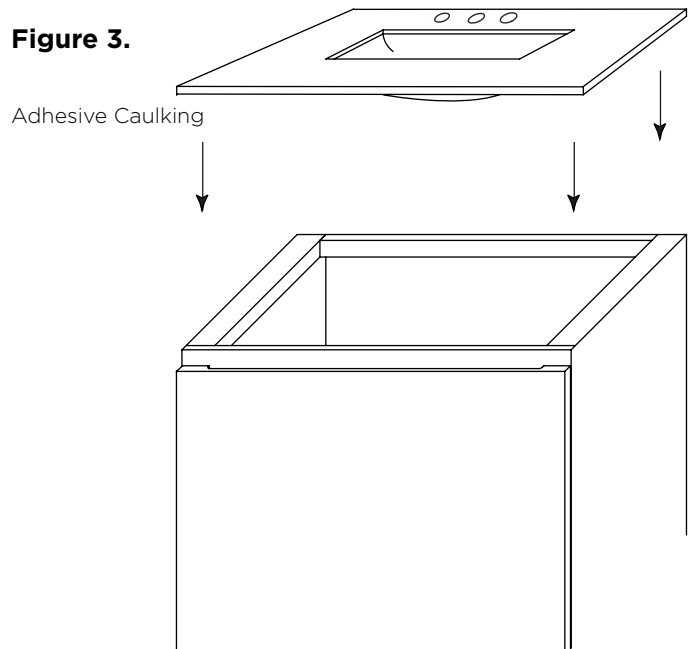
**STEP 2:** Attach 4 undermount-clips to hold lavatory in place

*See Figure 2.*

**Figure 2.**



**Figure 3.**



**STEP 3:** Secure top & back splash to cabinet by using adhesive caulk

*See Figure 3.*

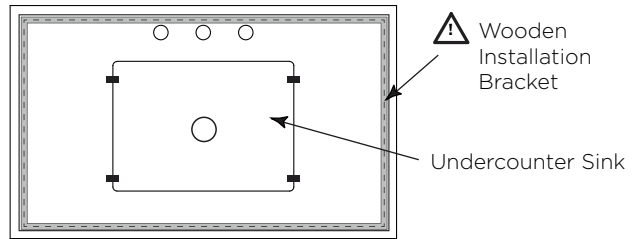
**NOTE:** For installing under counter sink with WideAppeal Top.

**STEP 1: DO NOT DISCARD WOODEN INSTALLATION BRACKET!**

- Make sure wooden installation bracket is safely secure
- Install under counter sink by following specific sink installation

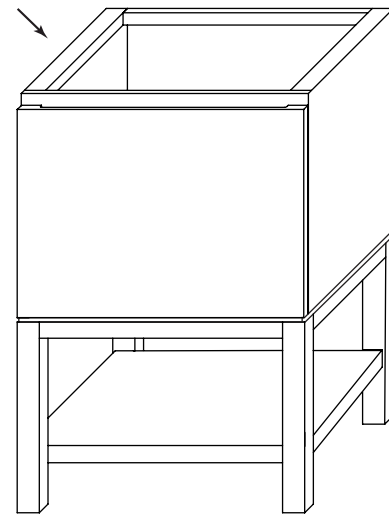
See Figure 1.

**Figure 1.**



**Figure 2.**

Adhesive Caulking



**STEP 2:**

- For best results, clean the mounting surfaces with a dry cleaning cloth
- To prevent over flow of adhesive, use masking tape to tape off the edges of the cabinet and the counter top

**STEP 3:** Apply adhesive on wood bracket and mounting surfaces of the cabinet

See Figure 2.

**Figure 3.**

**STEP 4:** Carefully place countertop on to the cabinet, align, and press firmly

See Figure 3.

