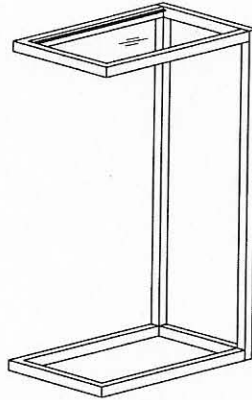
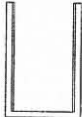







CAROLINA FORGE

Assembly Instruction Item # CF1610GLD/CF1610CHR Laptop Table



Thank you for purchasing a Carolina Forge company product. This product has been designed for easy assembly and is constructed for durability. Please take time to read and follow the assembly instructions carefully. If a part or hardware is missing or you have any difficulties in assembling this product, please contact us on our Toll free No. 1-800-228-3876.

NO.	PART	DESCRIPTION	QTY	NO.	PART	DESCRIPTION	QTY
A		TOP FRAME- WITH METAL INSERT	1 PCS	D		Allen Head Bolt 12 mm	8 PCS
B		BOTTOM FRAME	1 PCS	E		Allen Key wrench 4MM	1 PCS
C		VERTICAL FRAME	1 PCS	F		Glass	1 PCS

CARE INSTRUCTION

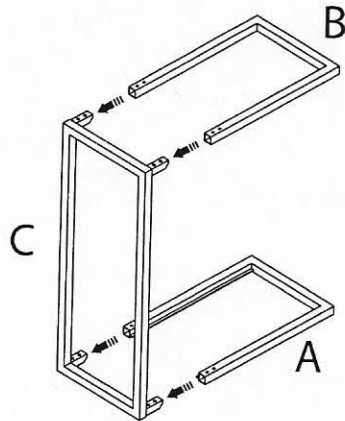
Thank you for your purchase. Our items are intended for residential use only. To clean and maintain your furniture we recommend dry dust with a soft clean cloth. Do not use harsh chemicals to clean your furniture as this could damage the protective top coat and/or finish.



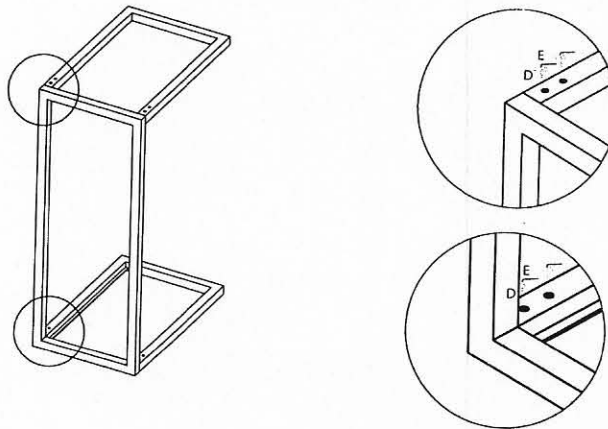
CAROLINA FORGE

Assembly Instruction
Item # CF1610GLD/CF1610CHR
Laptop Table

STEP-1



STEP-2



STEP-3

