

Technical Data Sheet

Included in Package

One Quattro Matte solid surface vanity bowl.

Additional Parts Required

Vessel style pop-up drain suitable for vanity sinks without an overflow system.

Tooling Required for Installation

100% clear silicone

Tape measure

Drill with appropriate cutting tool

Ensuring your Safety

Always observe all local plumbing/building codes during installation.

Prior to installation, unpack the new vanity sink and thoroughly inspect it for damage. Return the bowl to its protective carton until you are ready to install it. Handle with care. If dropped, material can chip or break.

Installation

Installation should be done by a qualified, licensed plumber.

Inspect your countertop surface, making sure that it is level and clean.

Determine the best location for the sink. It is important to dry fit the sink on the countertop.

Things to consider include:

- Locating the faucet so it does not interfere with the sink.
- Leaving enough clearance behind the faucet for operation of the handle.
- Ensuring water flow from the faucet makes contact with the sink in the desired location.

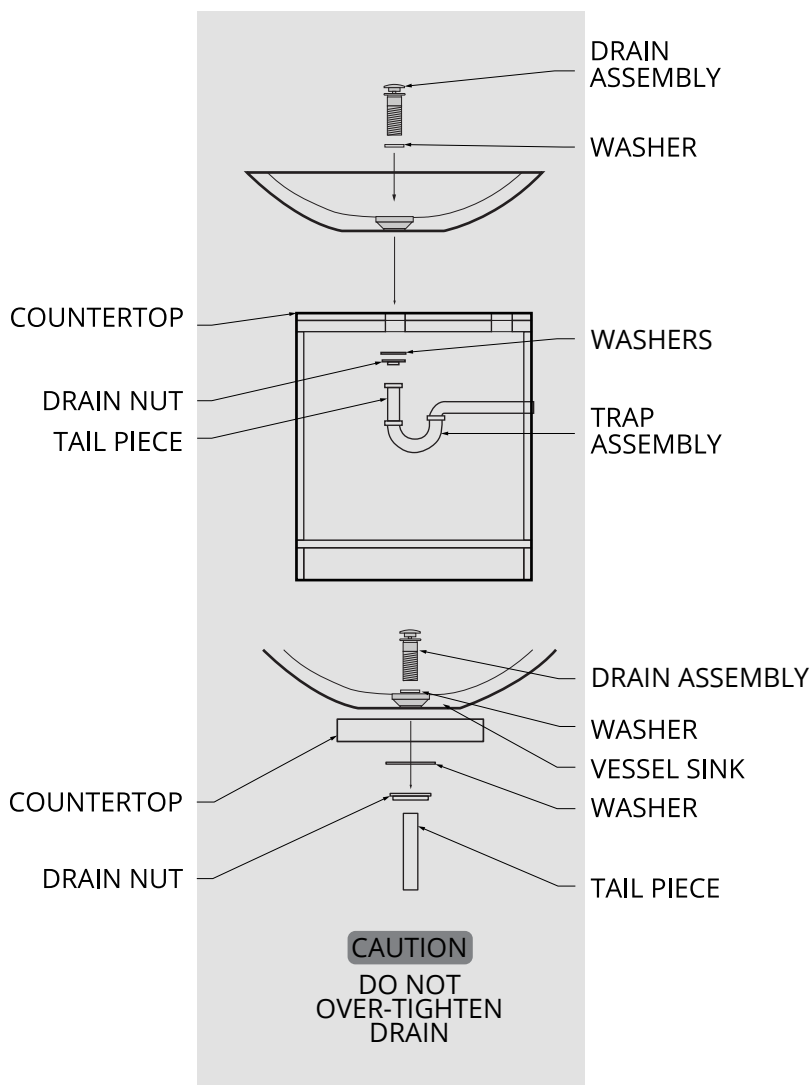
Using the appropriate tooling for the type of countertop, drill a 1-3/4" hole in the countertop in the correct location.

Place a bead of clear silicone on the underside of the bowl to adhere the bowl to the countertop surface

Follow the steps shown in the drawing to complete installation of the bowl. Note that the pop-up drain, once secured through the bowl and countertop surface will hold the bowl securely in place.

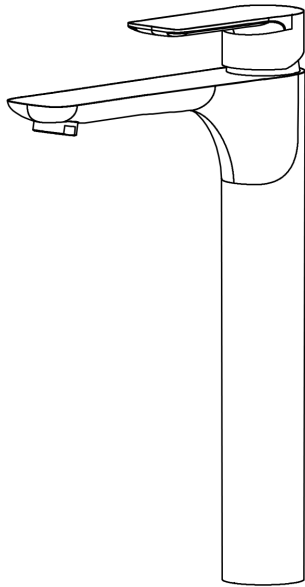
Maintenance

Your new vanity bowl is designed for years of trouble-free performance. Keep it looking its best by cleaning it periodically with a wet, soft cloth and liquid cleanser. Avoid using steel wool and harsh chemicals. If needed a Scotch-Brite pad can be used to remove stubborn dirt. 400 Grit sand paper can also be used to remove blemishes. Run water over the affected areas and using a circular pattern lightly buff out the stain/blemish.



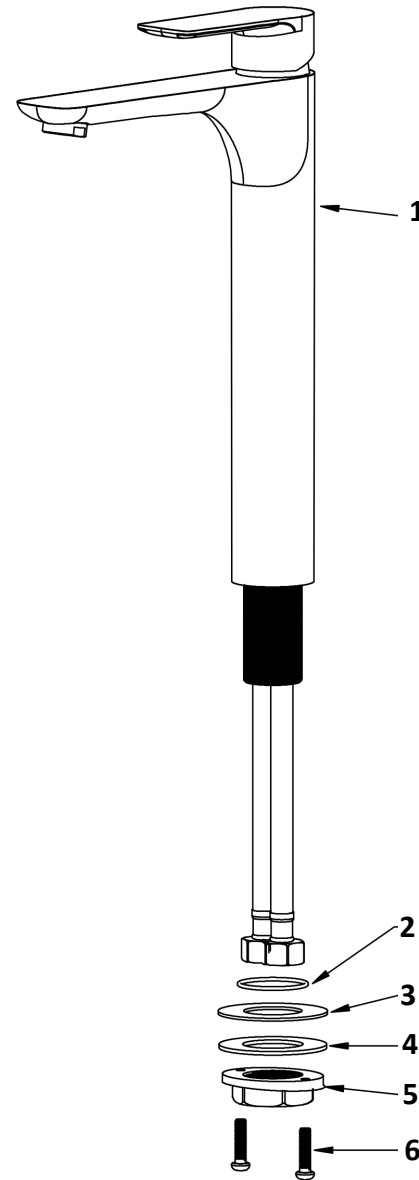


INSTALLATION GUIDE

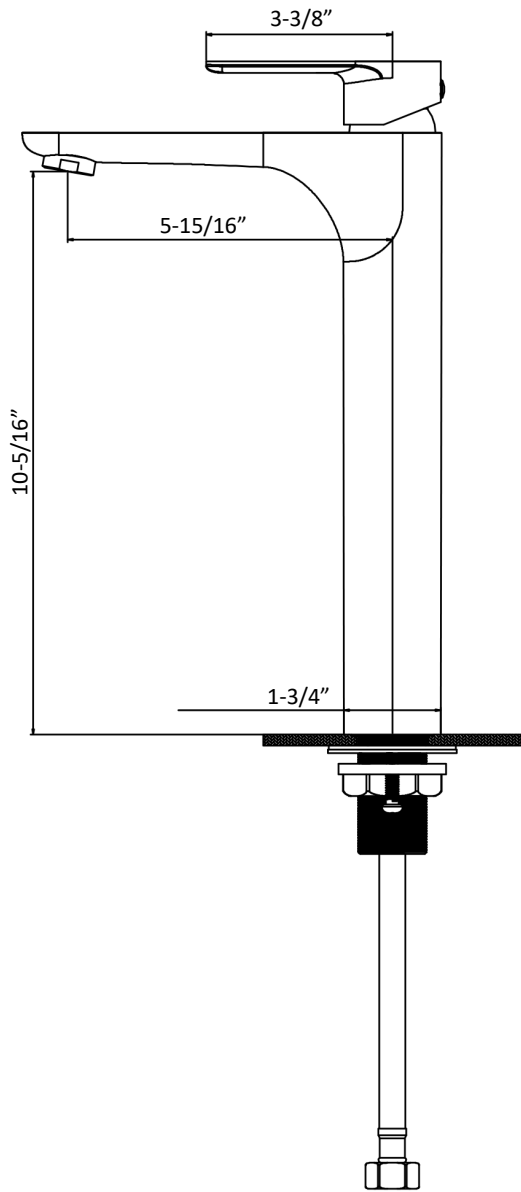


Kayes

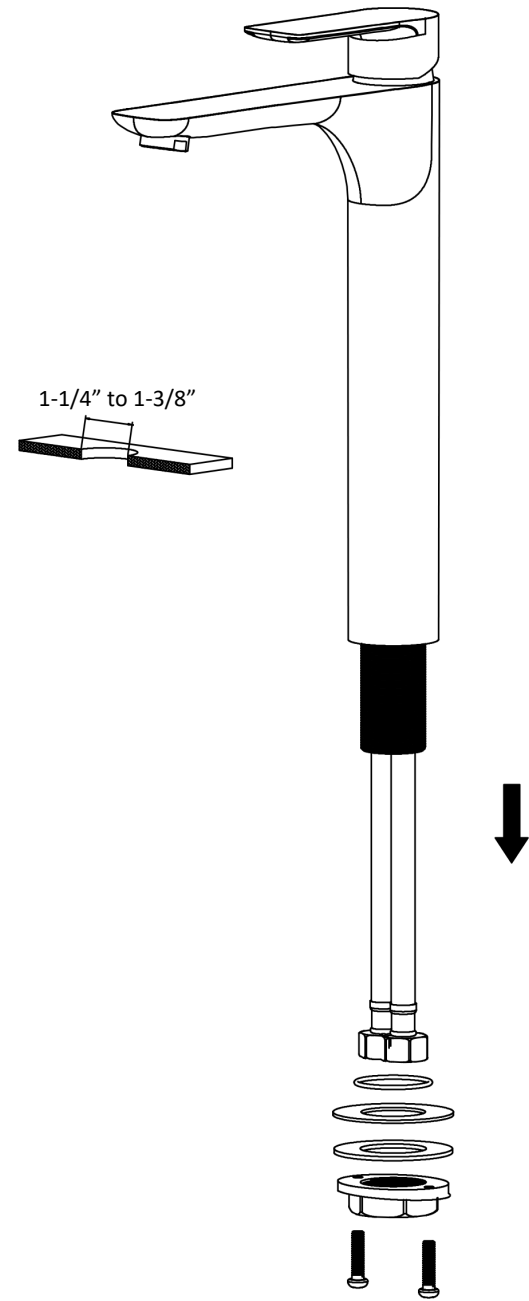
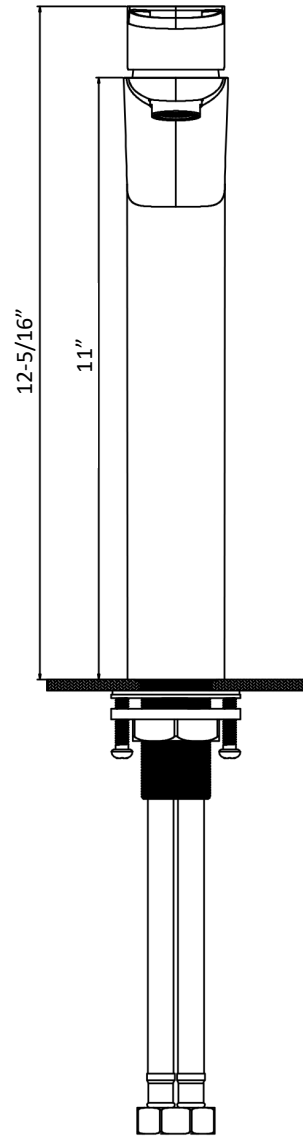
Models: KBF422C
KBF422MB
KBF422SS



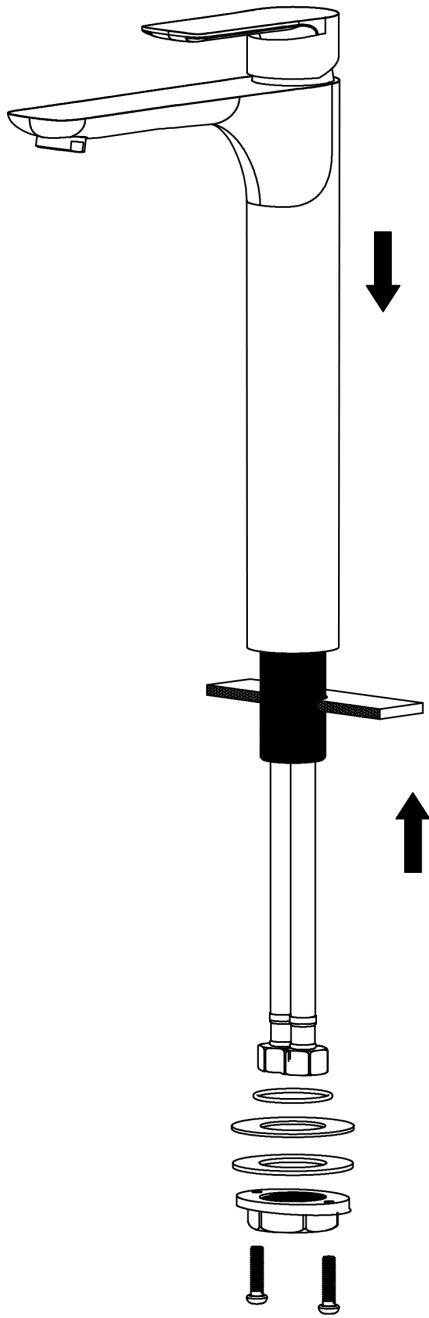
COMPONENT LIST	QTY
1 - Faucet Body	1
2 - O-Ring	1
3 - Rubber Washer	1
4 - Metal Washer	1
5 - Mounting Hardware	1
6 - Screw	2



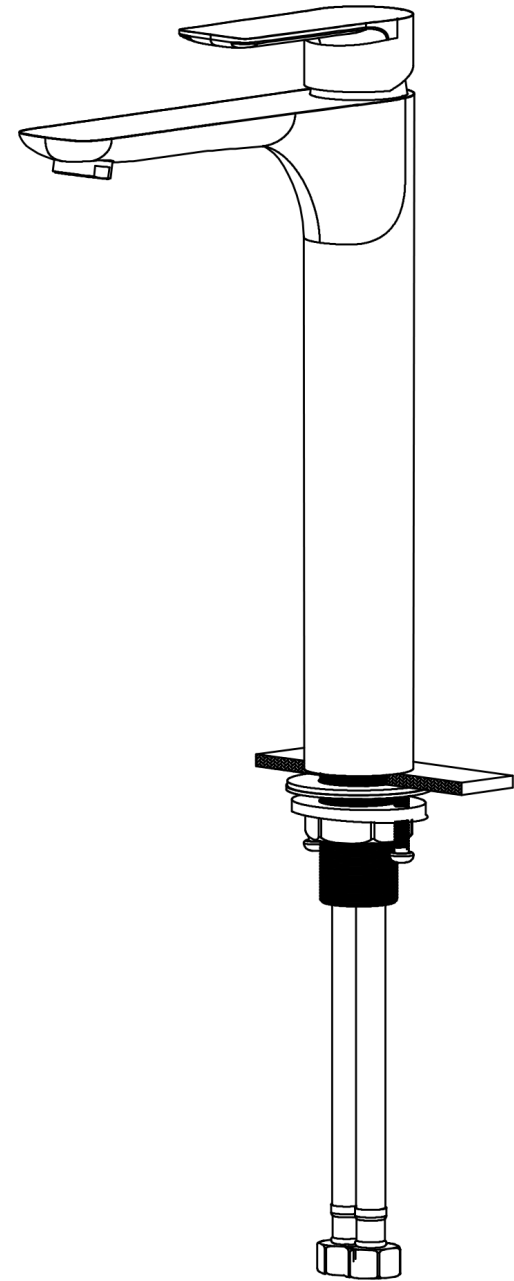
2



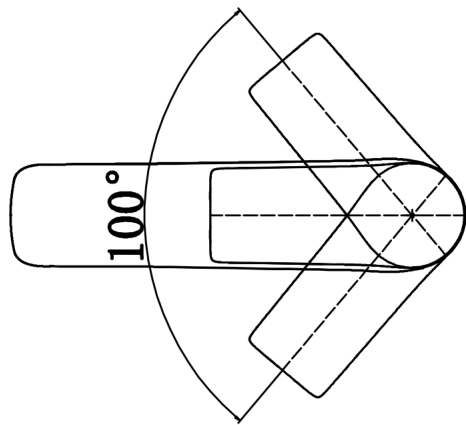
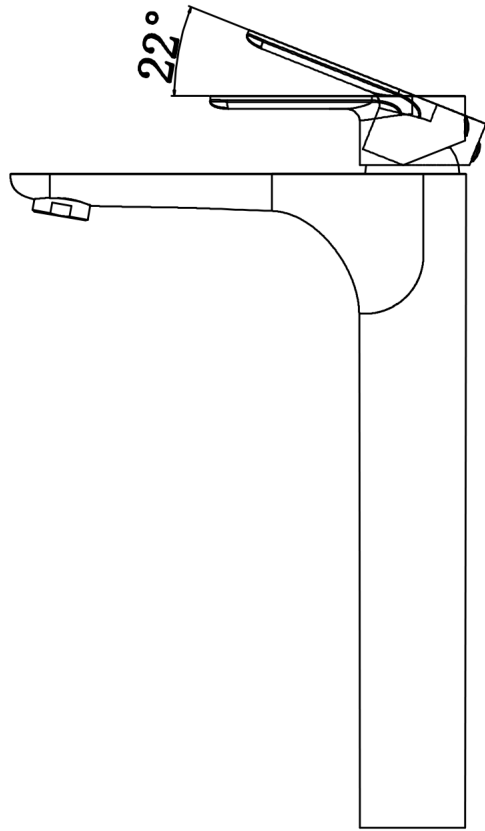
3



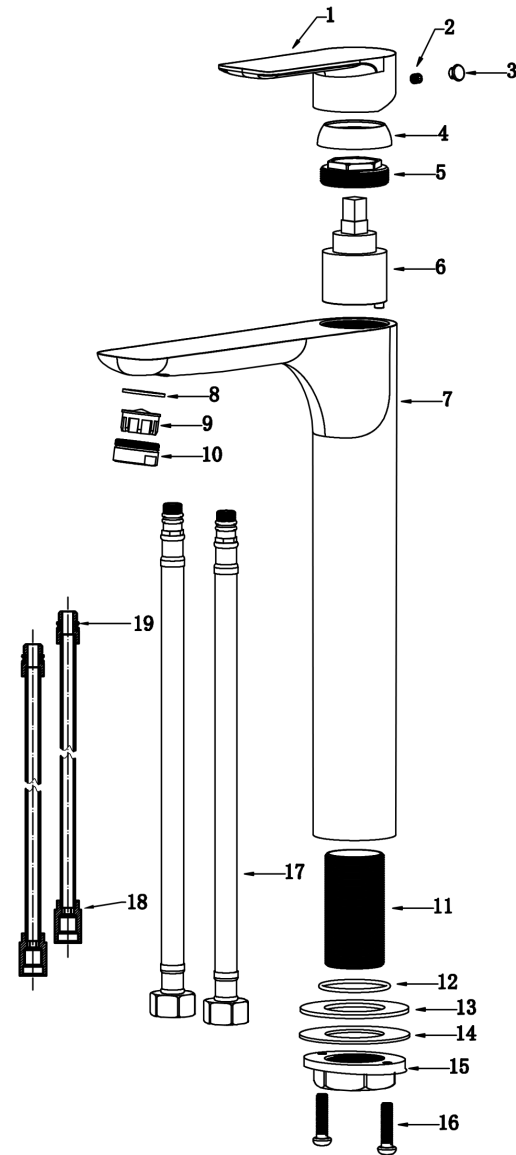
4



5



6



7

- 1 - Handle
- 2 - Screw
- 3 - Color Button
- 4 - Cover
- 5 - Nut
- 6 - Cartridge
- 7 - Faucet Body
- 8 - Gasket
- 9 - Aerator
- 10 - Aerator Cover
- 11 - Base
- 12 - O-Ring
- 13 - Rubber Washer
- 14 - Metal Washer
- 15 - Mounting Hardware
- 16 - Screw
- 17 - Water Lines
- 18 - Inlet Hoses
- 19 - O-Ring