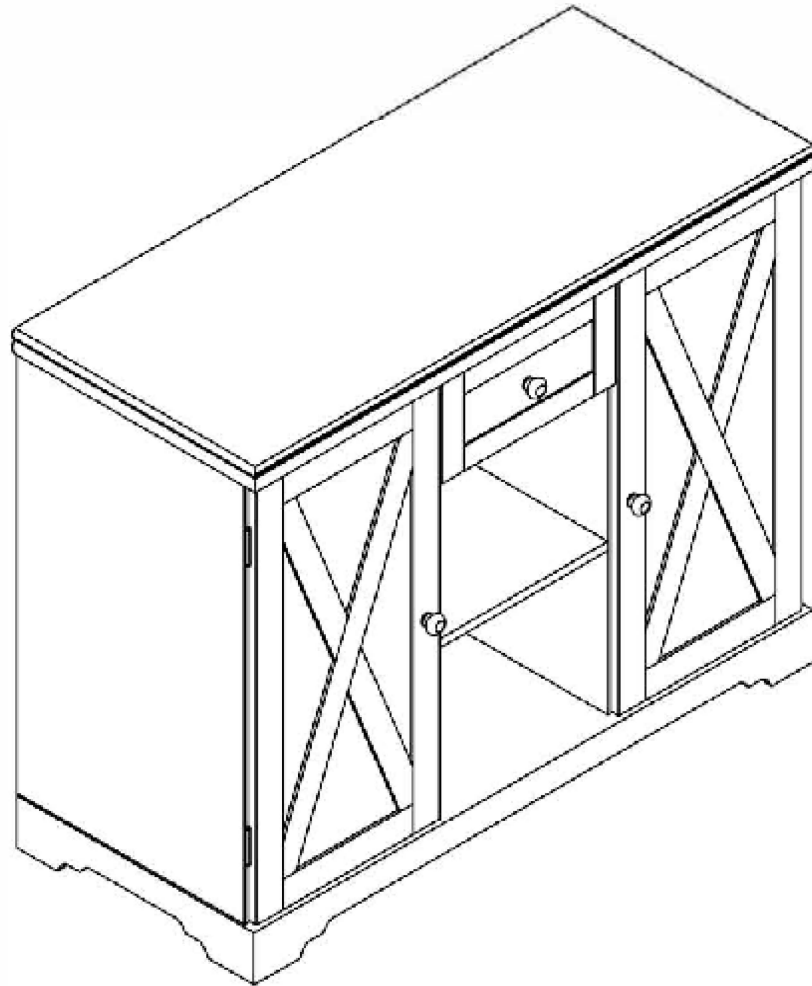


ASSEMBLY INSTRUCTIONS



NOTE TO CUSTOMERS:

- For ease and speed of assembly we recommend that before you commence each step of the assembly that you identify all the parts required to complete that step.
- We recommend that where possible you allow sufficient space to assemble the item as close as possible to the place where it will be once assembled.
- For the protection of your furniture we recommend that the product is placed on protected surfaces during assembly to prevent any damage.
- During assembly do not over tighten, as this may damage the product.
- Please ensure you retain all the product packaging until the item completely assembled.
- Please periodically check all fittings and re-tighten as necessary.
- Please never allow any liquids to remain on your furniture as absorption can cause the wood to warp or finish to de-laminate.
- It is recommended that this item should be assembled by two adults.

To insert a cam lock: (Please read below instructions before assembling)



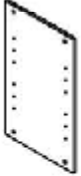


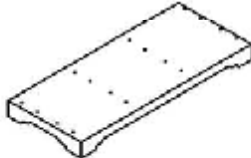

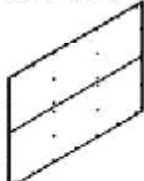



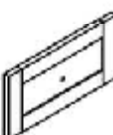


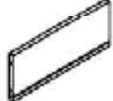

	<p>Diagram A</p>	<p>1. Insert cam screw into hole as shown in diagram A .</p>
	<p>Diagram B</p>	<p>Make sure not to insert the cam screw: Too deep as shown in figure B as this will cause the cam screw to be misaligned and unable to interlock properly.</p>
	<p>Diagram C</p>	<p>Also avoid inserting the cam screw too close to the surface of the hole as shown in figure C, as this will cause the cam lock to be too loose, and not interlock properly.</p>

	<p>2. Connect the panels together.</p>
	<p>3. When inserting the cam lock make sure the arrow of the cam lock faces the cam screw.</p>
	<p>4. To tighten the cam lock turn the cam lock clockwise 90-180 degree or until the arrow is facing opposite the place cam lock was inserted.</p> <p>NOTE: DO NOT USE AN AUTOMATIC SCREWDRIVER TO TIGHTEN CAM LOCKS.</p>














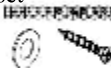

Note:

- Read these instructions carefully before assembling.
- Tools required : Phillips screwdriver, flat screwdriver.
- Find a clean, smooth area on which to work , such as a carpet, in order to avoid scratching the wood surfaces.
- Wait to dispose of the packing material until assembly is complete and all parts and hardware are accounted for.
- Two or more people might be required for assembly.





Parts List

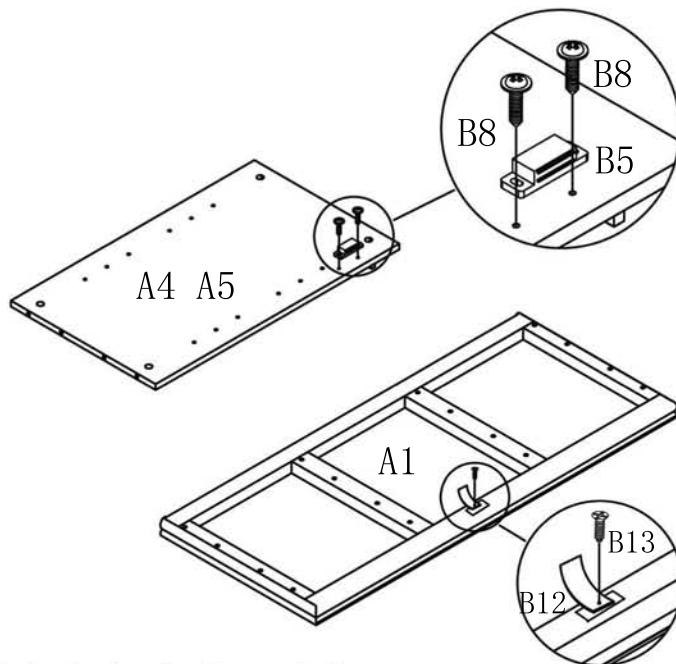
A1 :Top Frame 1Pc 	A2:Left Side Panel 1Pc 	A3:Right Side Panel 1Pc 	A4:Left Middle Panel 1Pc 
A5:Right Middle Panel 1Pc 	A6:Bottom Frame 1Pc 	A7:Adjustable Shelf 4Pcs 	A8:Back Panel 1Set 
A9:Fixed Shelf panel 1Pc 	A10:Left Door Frame 1Pc 	A11:Right Door Frame 1Pc 	A12:Front Panels Of Drawer -- 1Pc 
A13:Left Side Panels Of Drawer -- 1Pc 	A14:Right Side Panels Of Drawer -- 1Pc 	A15:Back Panels Of Drawer -- 1Pc 	A16:Bottom Panels Of Drawer-- 1Pc 

Hardware List

B1:Cam Lock 24Sets  Ø15*9mm	B2:Wood Dowel 20Pcs  Ø8*30mm	B3:Handle 3Pcs 	B4:Machine Screw 3Pcs  4*15mm	B5:Magnet 2Pcs 
B6:Flat Head Screw 4Pcs  Ø3*25mm	B7:Shelf Support 16Pcs 	B8:Flat Head Screw 30Pcs  Ø3*12mm	B9:Magnet Slice 2Pcs 	B10:Flat Head Screw 2Pcs  Ø3*10mm
B11:Hinge 4Pcs 	B12:Drawer Stopper 1Pc 	B13:Flat Head Screw 17Pcs  Ø3*12mm	B14: Anti-tip Kit 1set 	B15:Anchor with Screw 1set 



STEP 1

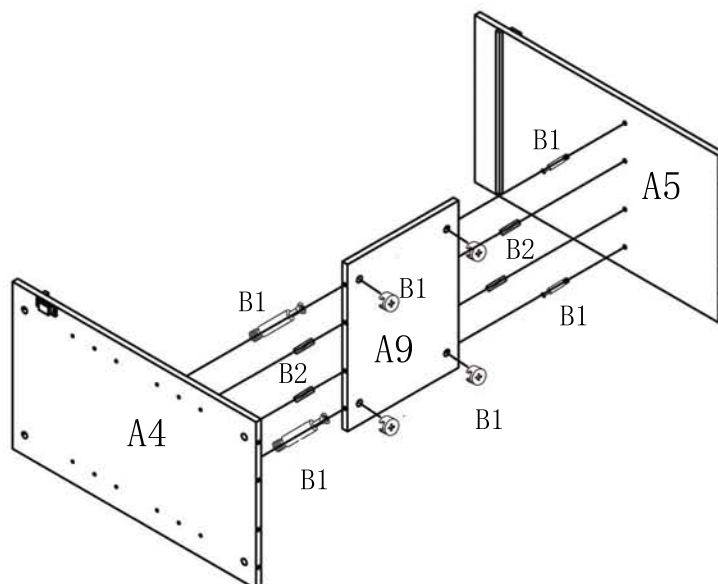
B5		2
B8		4
B12		1
B13		1



1. Attach Magnets (B5) to Middle Panels (A4 & A5) using Screws (B8).
2. Attach Drawer Stopper (B12) to Top Frame (A1) using Screw (B13).

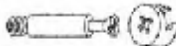
STEP 2

B1		4
B2		4

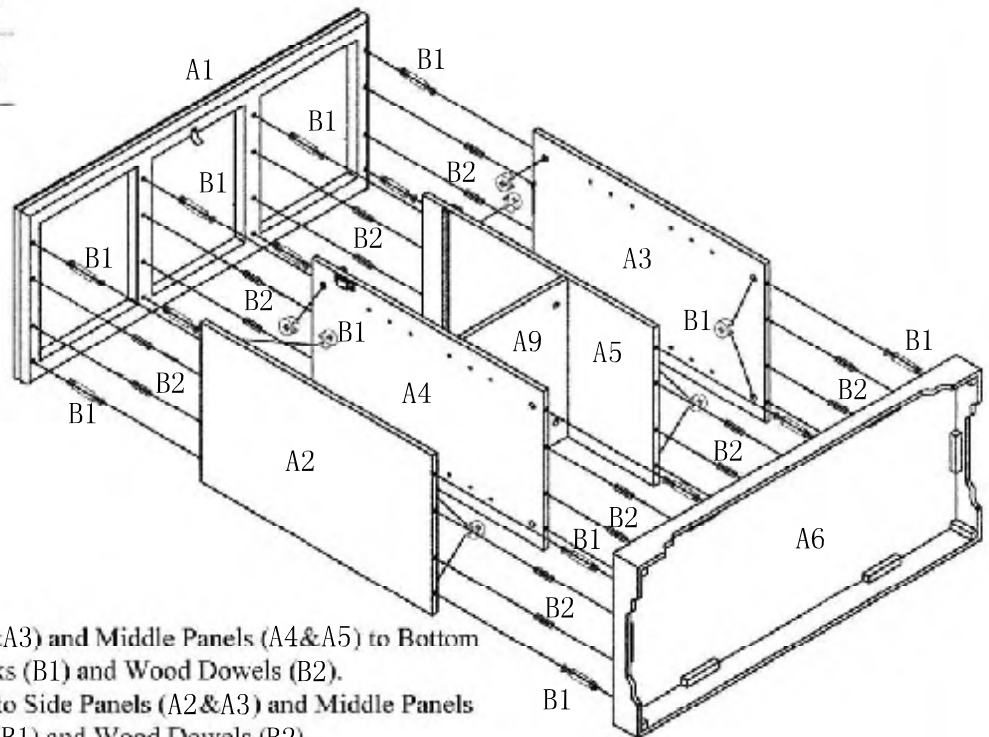


Assemble Middle Panels (A4 & A5) to Fixed Shelf Panel (A9) using Cam locks (B1) and Wood Dowels (B2).

STEP 3

B1  16

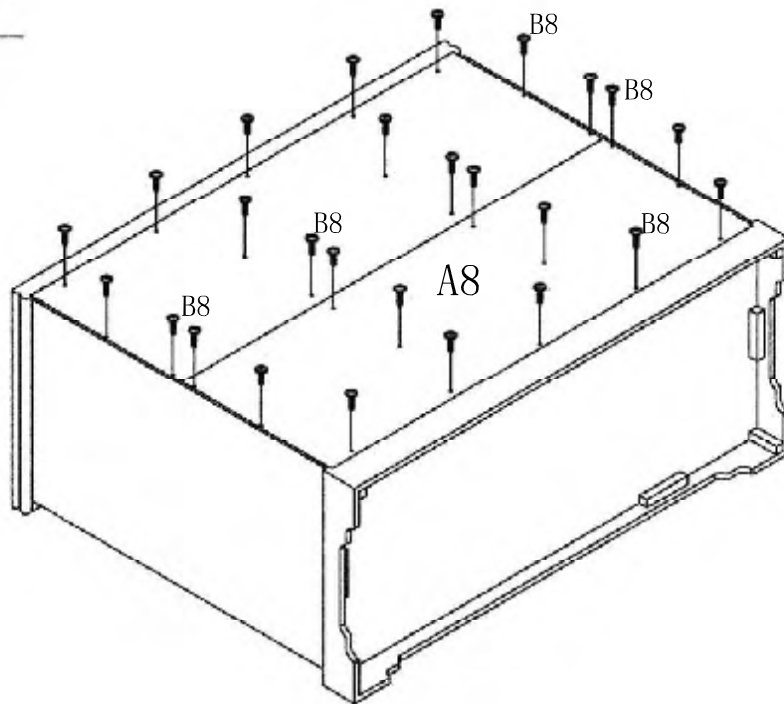
B2  16



1. Assemble Side Panels (A2&A3) and Middle Panels (A4&A5) to Bottom Frame (A6) using Cam locks (B1) and Wood Dowels (B2).
2. Assemble Top Frame (A1) to Side Panels (A2&A3) and Middle Panels (A4&A5) using Cam locks (B1) and Wood Dowels (B2).

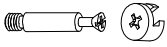



STEP 4

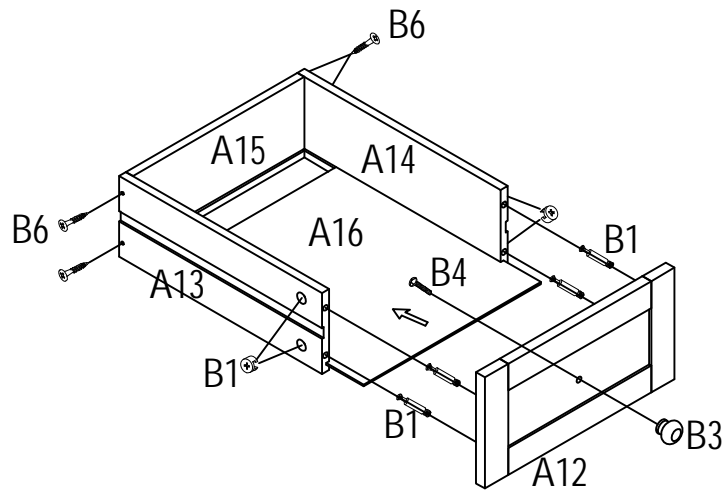
B8  26



Attach Back Panel (A8) to the back of this unit using Screws (B8).





STEP 5

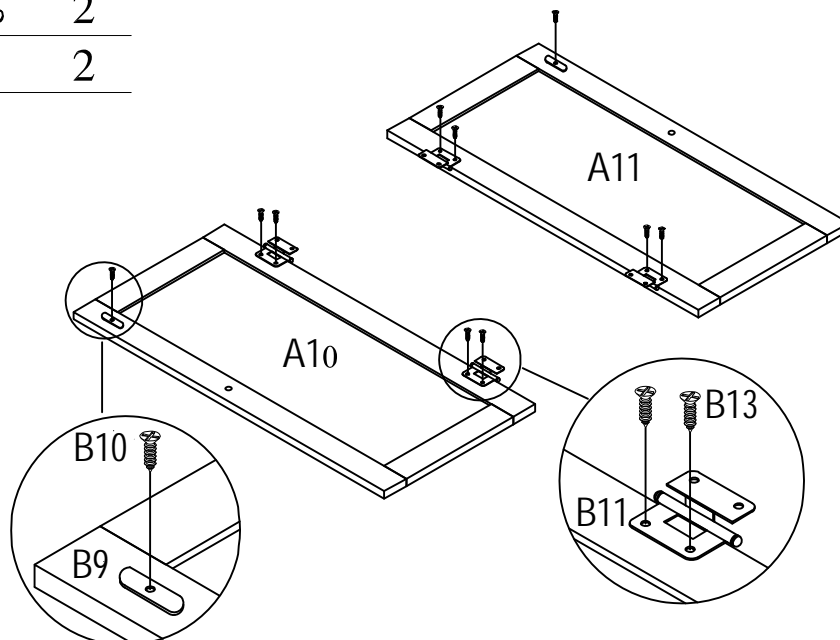
B1		4
B6		4
B3		1
B4		1



1. Assemble Drawer Side Panels (A13&A14) to Drawer Back Panel (A15) using Screws (B6).
2. Insert Drawer Bottom Panel (A16) into the grooves on Drawer Side Panels (A13&A14) and Drawer Back Panel (A15).
3. Assemble Drawer Front Panel (A12) to Drawer Side Panels (A13&A14) using Cam locks (B1).
4. Attach Handle (B3) to Drawer Front Panel (A12) using Machine Screw (B4).




STEP 6

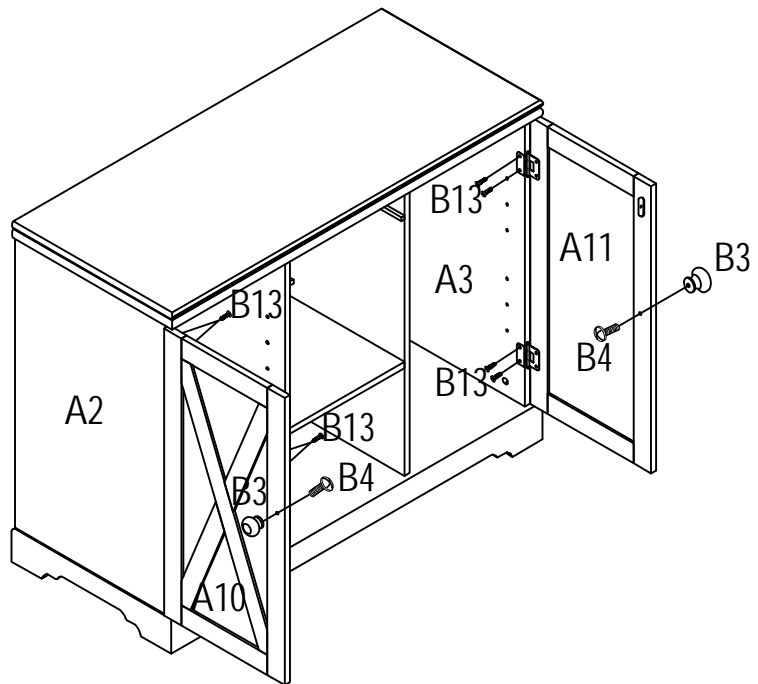
B11		4
B13		8
B9		2
B10		2



1. Attach Magnet Slice (B9) to Door Frames (A10&A11) using screws (B10).
2. Attach Hinge (B11) to Door Frames (A10&A11) using Screws(B13).

STEP 7

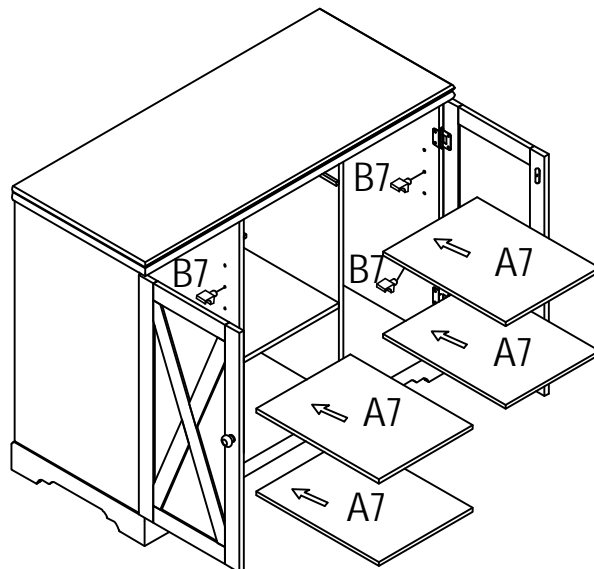
B3		2
B4		2
B13		8



1. Assemble Door Frames (A10&A11) to Side Panels (A2&A3) using Screws (B13).
2. Attach Handles (B3) to Door Frames (A10&A11) using Machine Screws (B4).

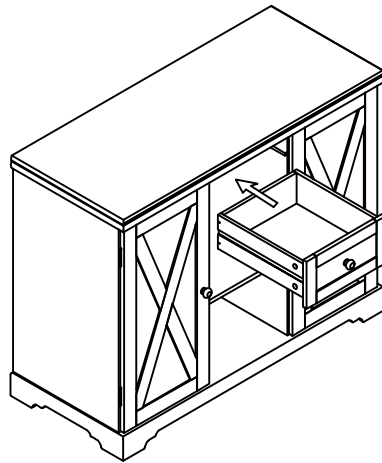
STEP 8

B7		16
----	---	----



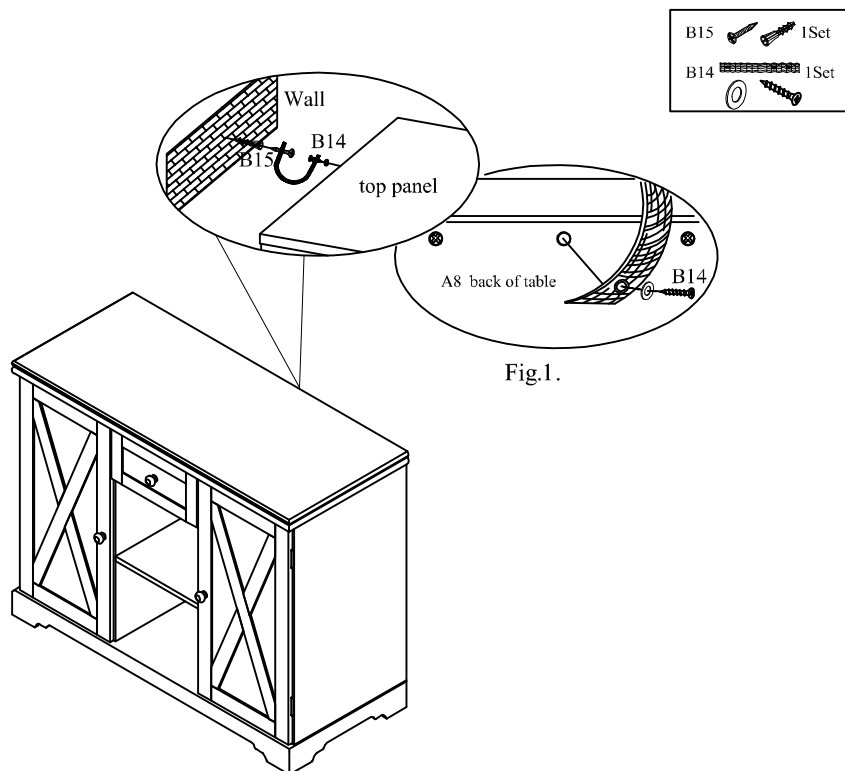
1. Insert Shelf Supports (B7) into the holes on Side Panels (A2&A3) and Middle Panels (A4&A5).
2. Place Adjustable Shelves (A7) on the top of Shelf Supports.

STEP 9



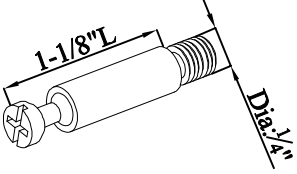
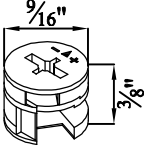
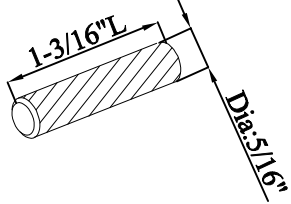
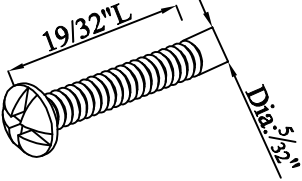
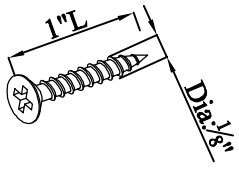
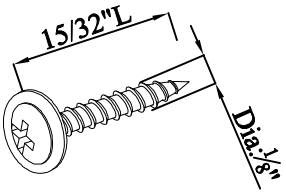
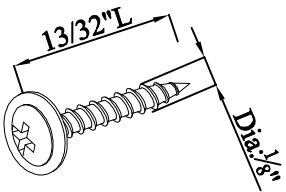
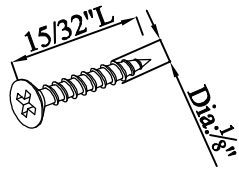
Insert the drawer into this unit.

STEP 10



For your safety, please attach this unit to the wall by Anti-tip Kit B14 and Anchor with screw B15 as Fig.1.

APPENDIX: Dimension of Hardwares in this AI.

<p>B1</p>  <p>Cam-bolt</p>	<p>B1</p>  <p>Cam-nut</p>	<p>B2</p>  <p>Wood Dowel</p>
<p>B4</p>  <p>Bolt for Handle</p>	<p>B6</p>  <p>Screw</p>	<p>B8</p>  <p>Screw</p>
<p>B10</p>  <p>Screw</p>	<p>B13</p>  <p>Screw</p>	