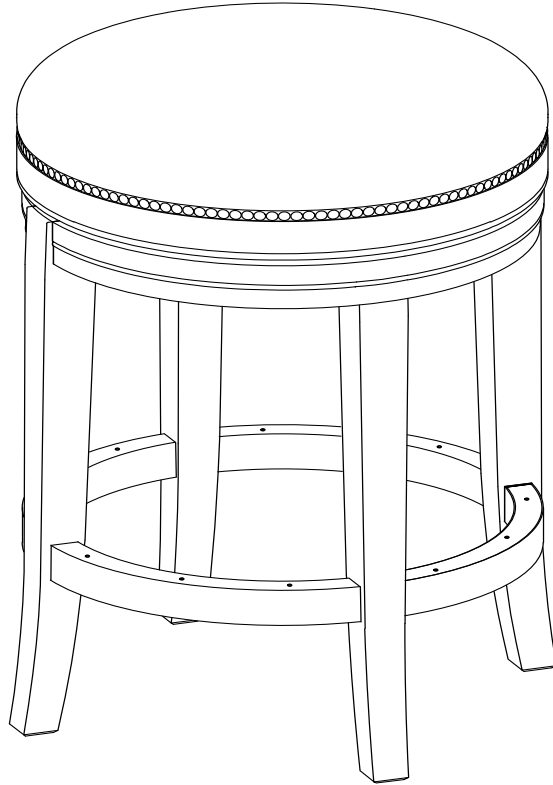


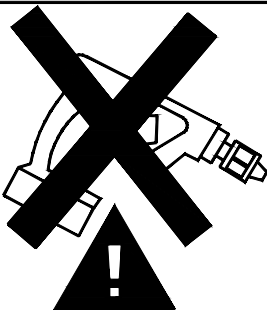
ASSEMBLY INSTRUCTION

Counter Height Stool Bar Height Stool Swivel

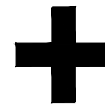
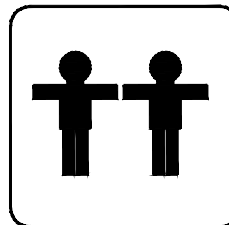


REPLACEMENT PARTS

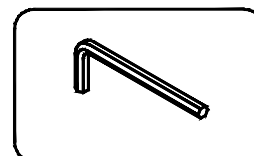
Please do not contact the company purchased from as we can help you faster.
Order replacement parts and hardware at " www.boltonfurniture.com "



- . Use of power tool to assemble this product will invalidate any claim and damage this product making it unsafe !!!
- . Please assemble on a clean soft surface to avoid damage.



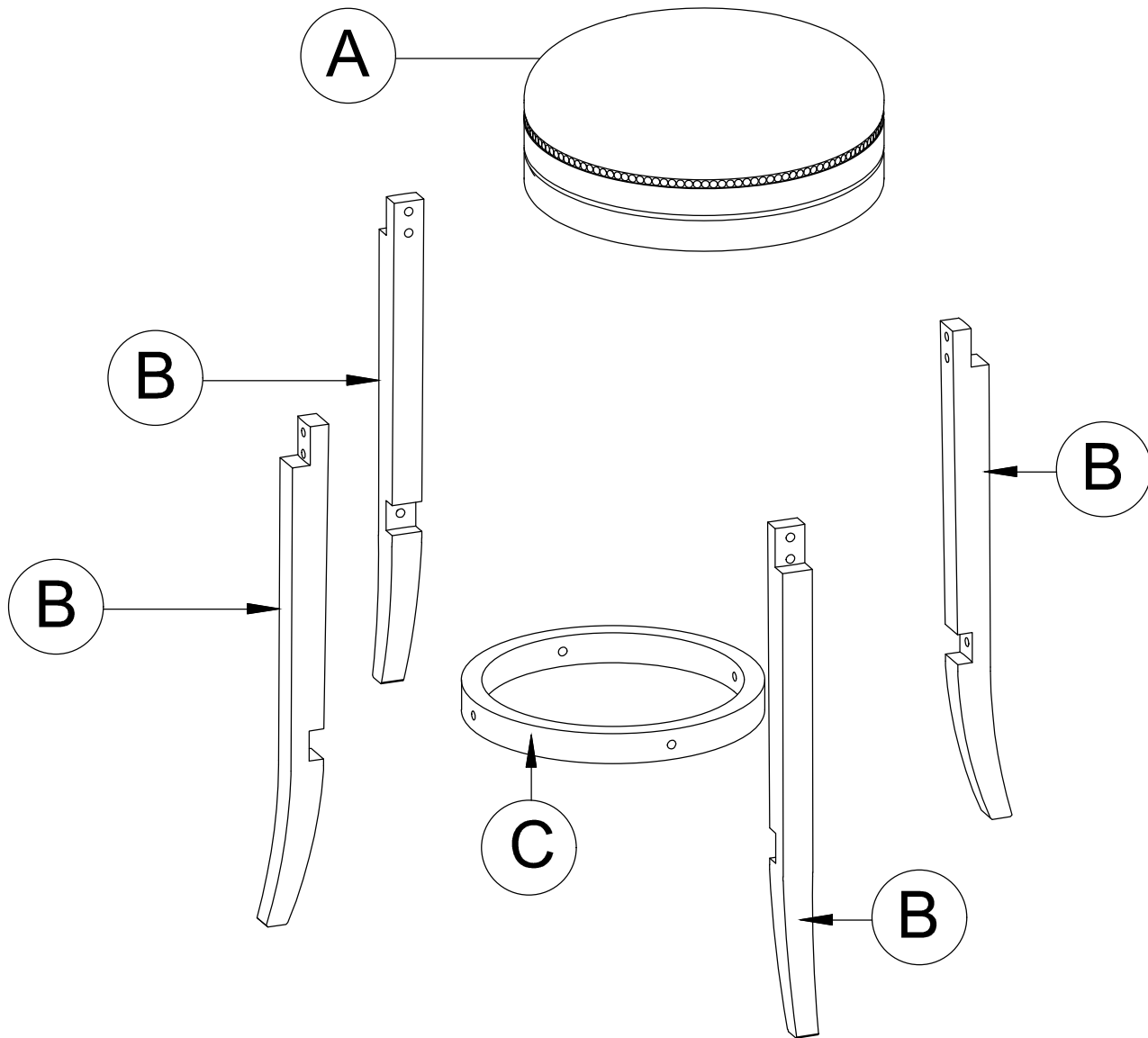
Tools Required



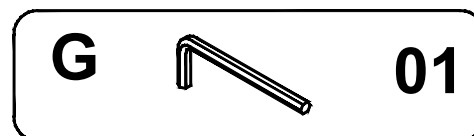
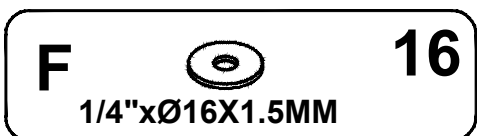
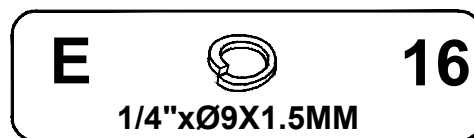
www.boltonfurniture.com

Part list -Counter Height Stool/Bar Height Stool

Swivel

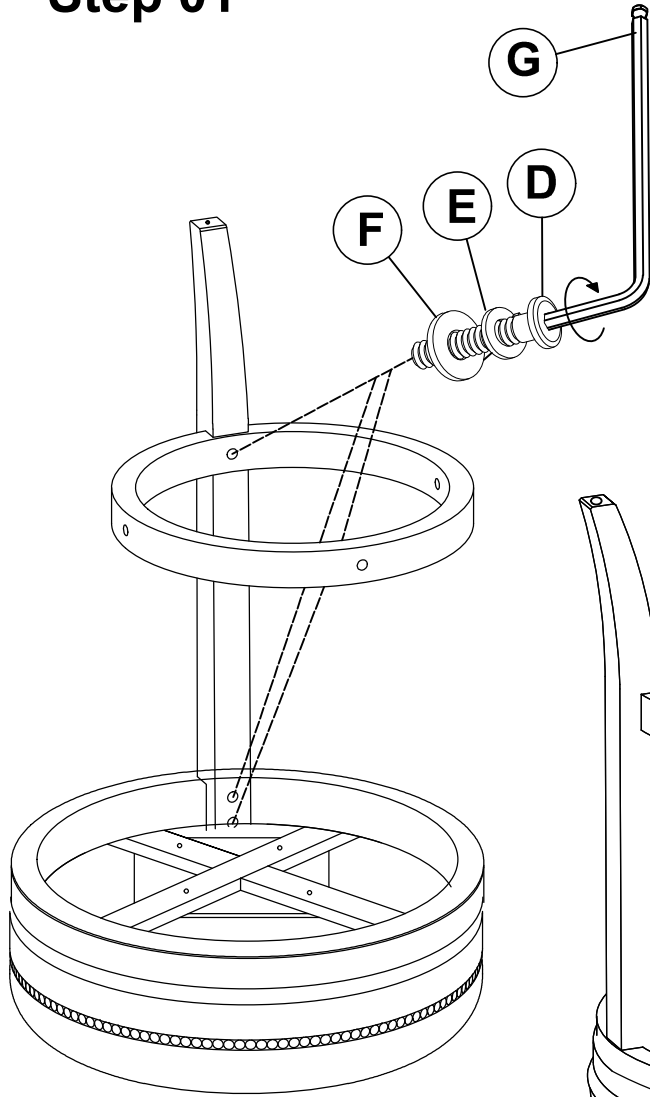


Identifying the hardware-Identify the hardware using the illustrations below



Step 01

Swivel



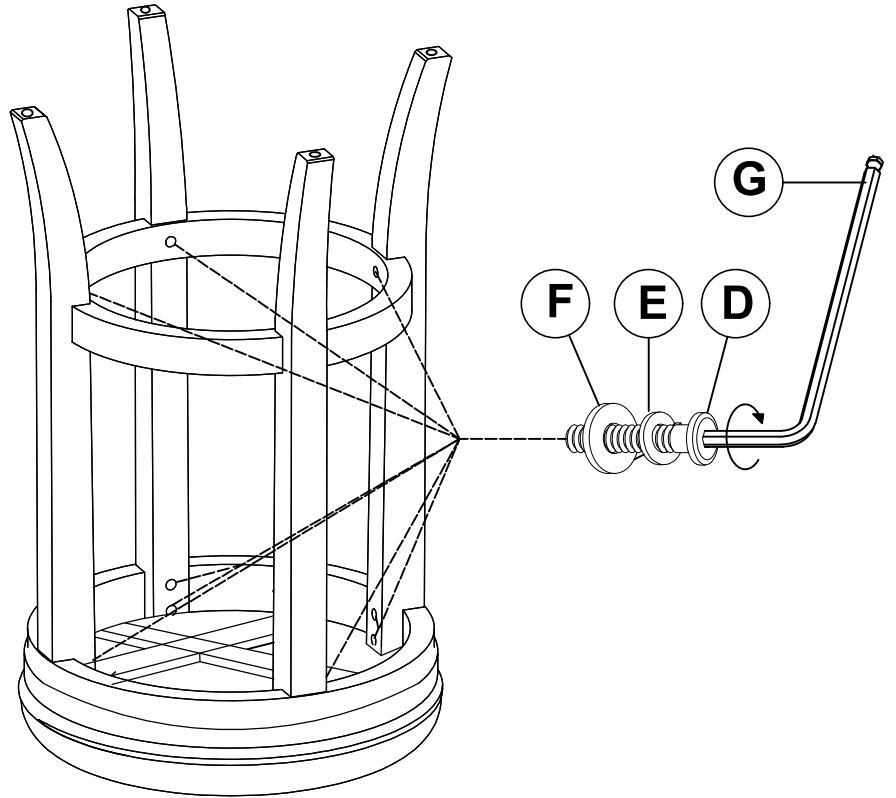
D  **12**
1/4"x20X40MM BOLT

E  **12**
1/4"xØ9X1.5MM

F  **12**
1/4"xØ16X1.5MM

G  **01**

Step 02



Step 03

