



Parker House
FURNITURE

Assembly Instruction

Item No: DLOD#1226

Description : BENCH COUNTER UPHOLSTERED 60 IN.

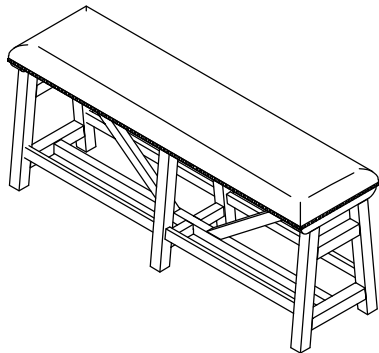
2022-04-05

HARDWARE LIST

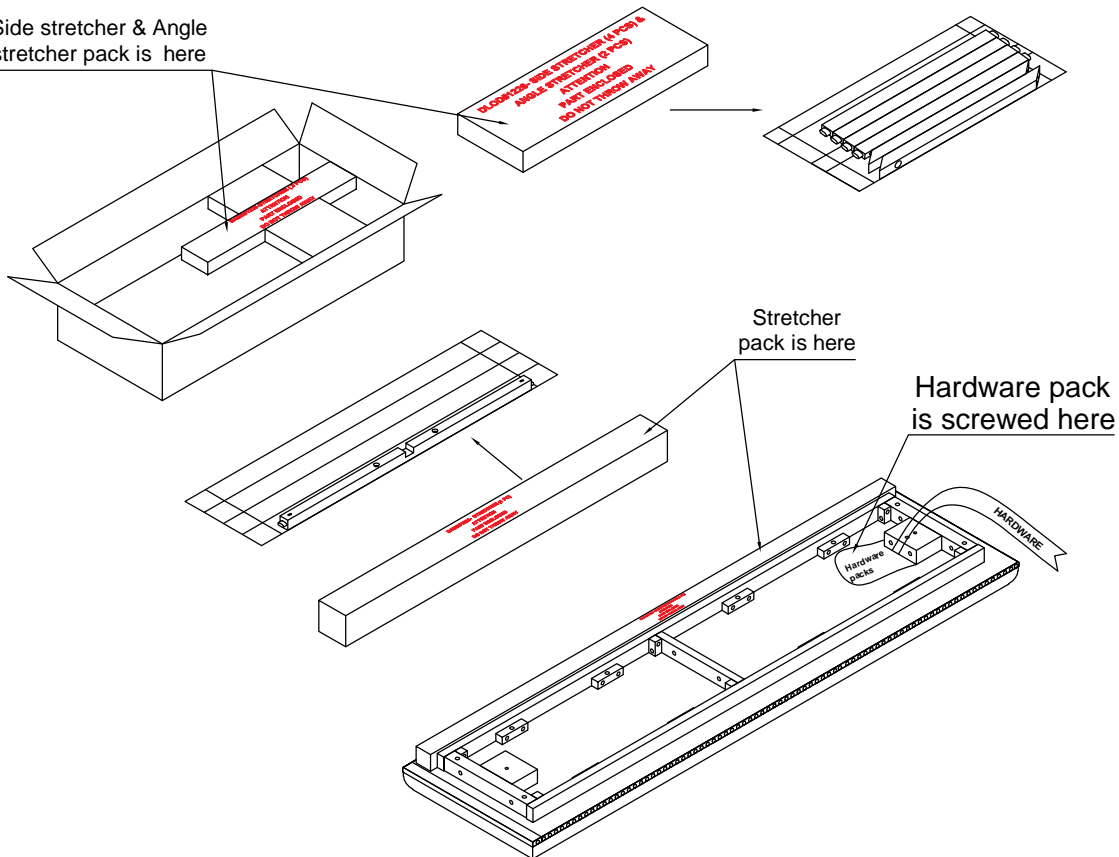
No	Description	Sketch	Q'TY
A	Allen Wrench 4mm		1PC
B	Bolt Ø1/4x50mm		10PCS
C	Lock Washer Ø1/4x12mm		10PCS
D	Flat Washer Ø1/4x19mm		10PCS
E	Screw #4x38mm		11PCS

PARTS LIST

BENCH TOP (1PC)		SIDE LEG (2PCS)	
①		②	
CENTER LEG (1PC)		CENTER STRETCHER (1PC)	
③		④	
ANGLE STRETCHER (2PCS)		STRETCHER (4PCS)	
⑤		⑥	



Side stretcher & Angle stretcher pack is here





Parker House
FURNITURE

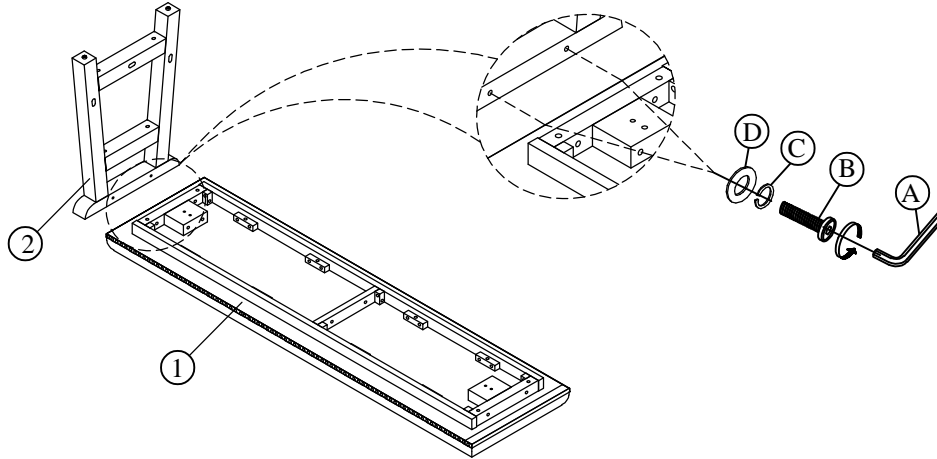
Assembly Instruction

Item No: DLOD#1226

Description : BENCH COUNTER UPHOLSTERED 60 IN.

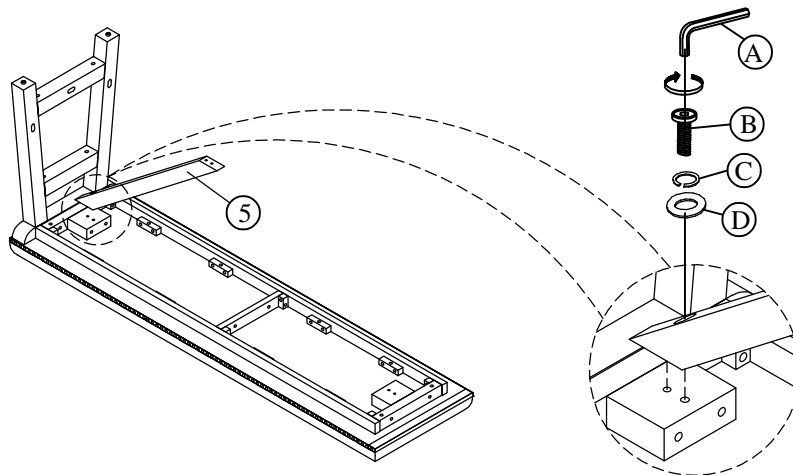
2022-04-05

STEP 1



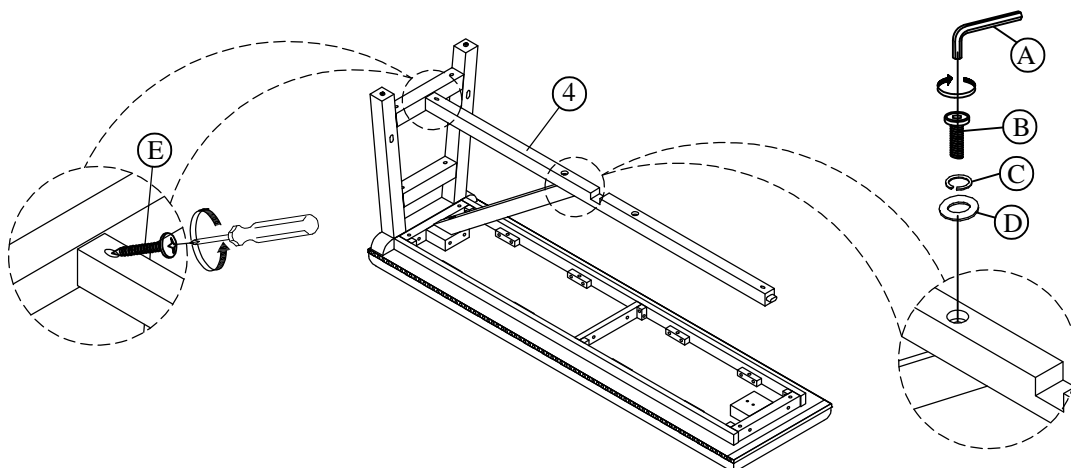
* Do not tighten bolts

STEP 2



* Do not tighten bolts

STEP 3



* Do not tighten screws & bolts



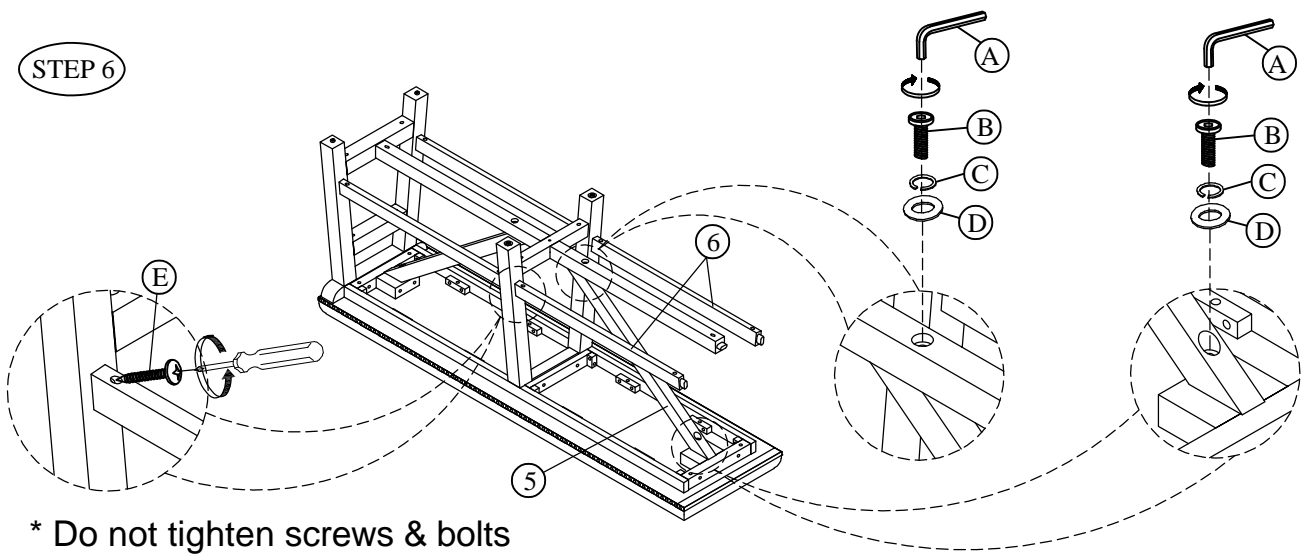
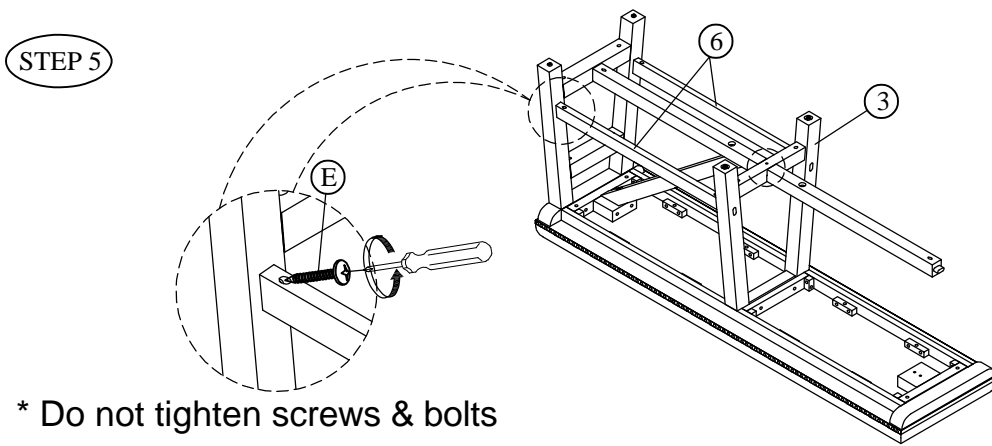
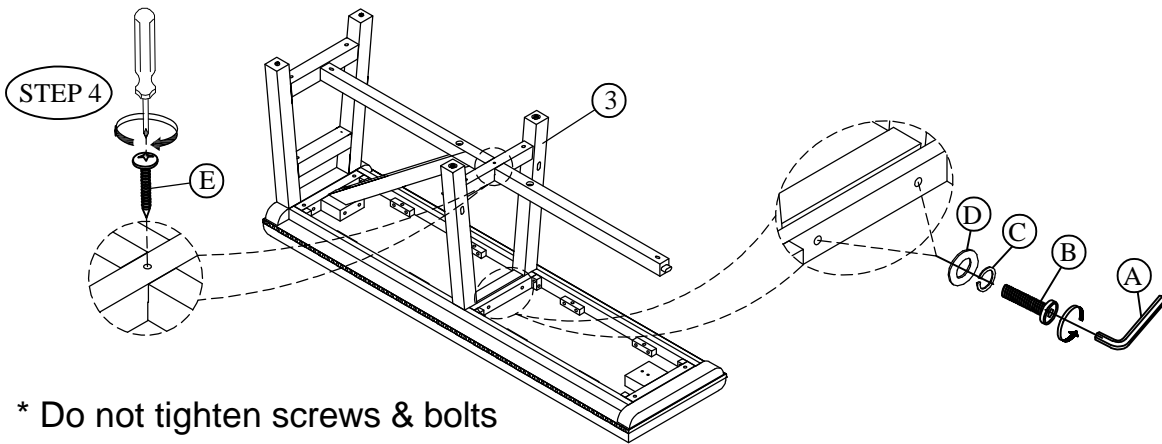
Parker House
FURNITURE

Assembly Instruction

Item No: DLOD#1226

Description : BENCH COUNTER UPHOLSTERED 60 IN.

2022-04-05





Parker House
FURNITURE

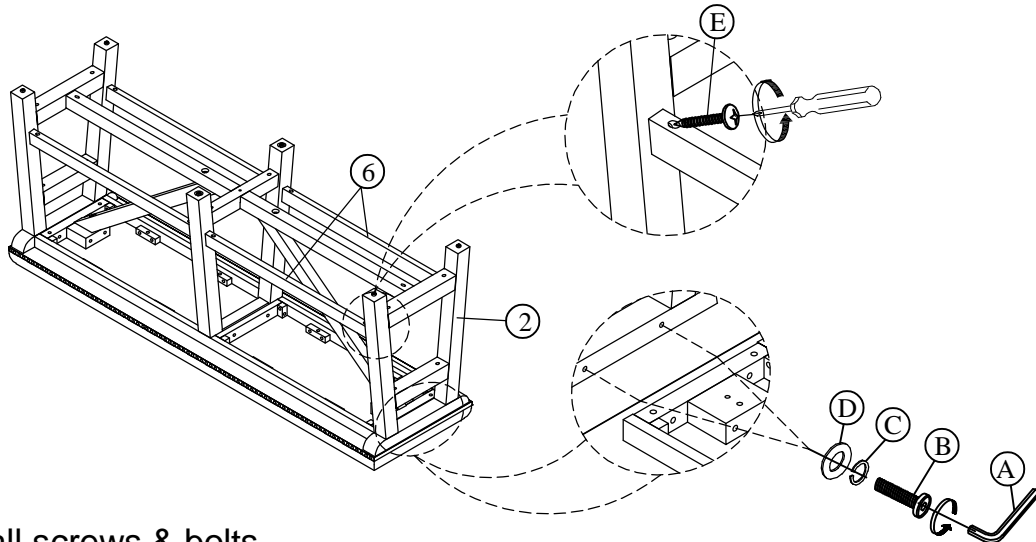
Assembly Instruction

Item No: DLOD#1226

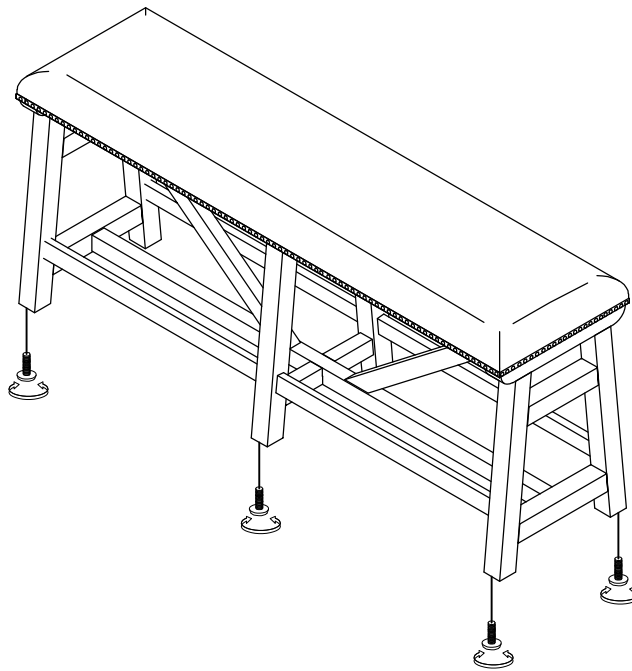
Description : BENCH COUNTER UPHOLSTERED 60 IN.

2022-04-05

STEP 6



* Tighten all screws & bolts



Assembled leveler = 6PCS