

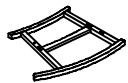
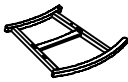





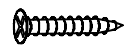

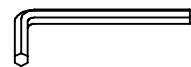


Part List

PIECE	DESCRIPTION	PICTURE	QUANTITY
A	Back		1x
B	Seat		1x
C	Left side		1x
D	Right side		1x
E	Seat bar		2x
F	Support leg		1x

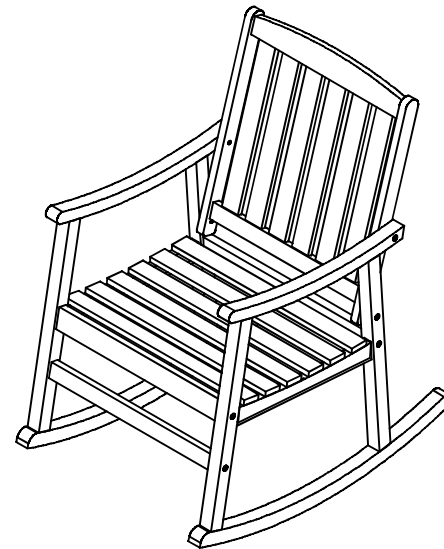
Hardware List

PIECE	DESCRIPTION	PICTURE	QUANTITY
HW1	T Bolt & nut	 M6x70	4x
HW2	Bolt & round nut	 M6x45	4x
HW3	Allen screw	 M6x70	2x
HW4	Screw	 M4x35	2x
HW5	Extra bolt	 M6x45	1x
HW6	Allen Key		2x

JONATHAN Y

MODEL# RCK102

Product Dimension: 22.44" W x 31.10"D x 36.22"H






Scan the QR code on the right to view a video that shows how to assemble this product

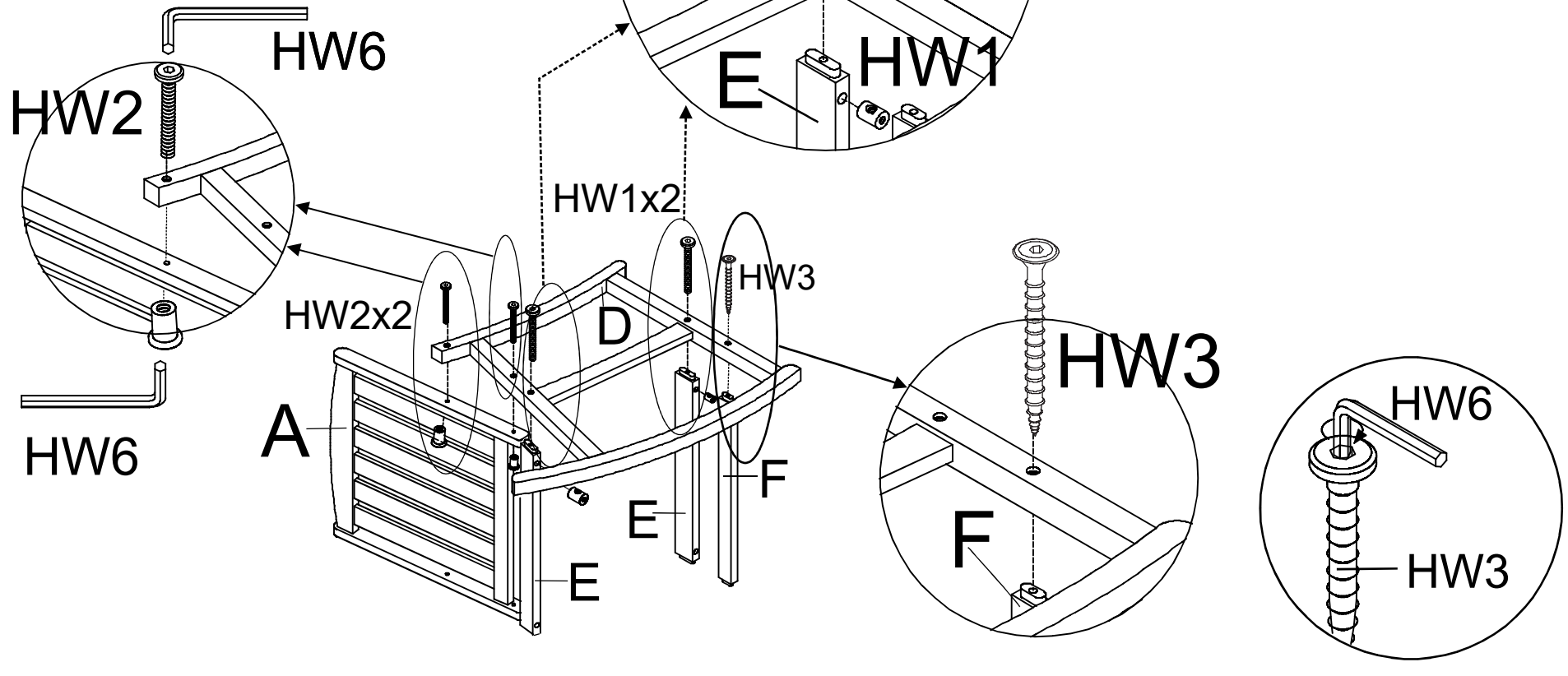
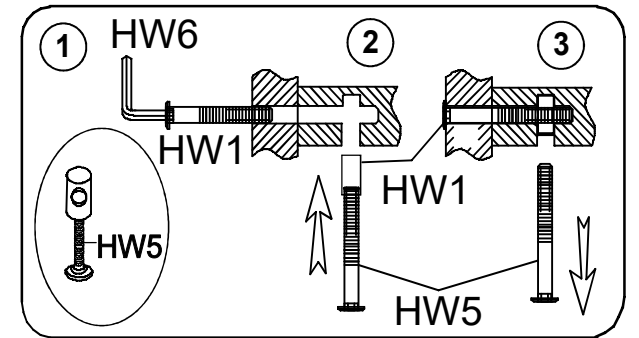
QR CODE

PREPARATION

Tool required for assembly (included): Allen Key.

1

HW1		2x
HW2		2x
HW3		1x



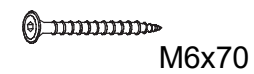


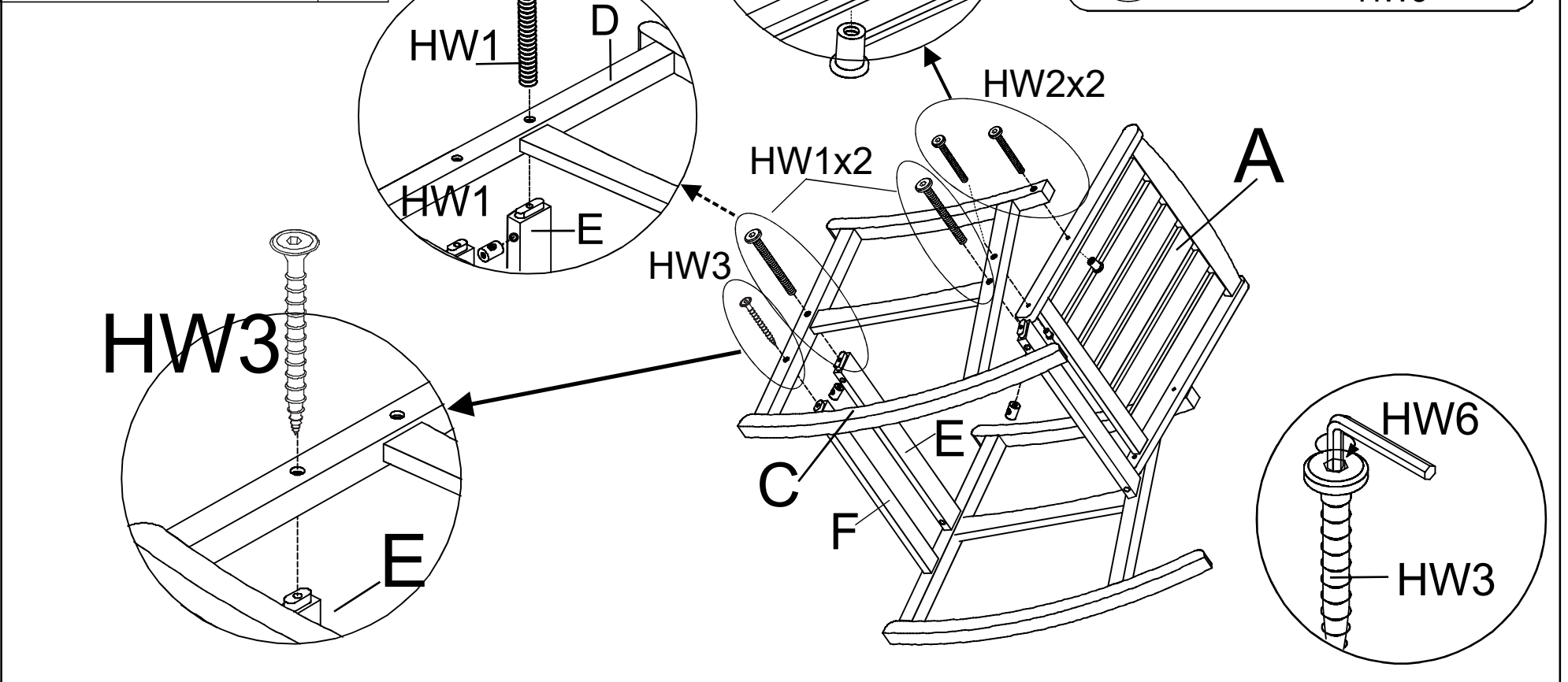
Step 1: Attach the Back (A), Seat Bar (E), Support Leg (F) to the Right side (D) as shown on the picture. Using the T bolt & nut (HW1), Bolt & Round nut (HW2) and Allen screw (HW3) to fix it together by using the Allen key (HW6) and Extra bolt (HW5) as shown on these pictures.

PREPARATION

Tool required for assembly (included): Allen Key.

1

HW1	 M6x70	2x
HW2	 M6x45	2x
HW3	 M6x70	1x



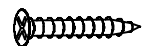
Step 2: Attach the Left side(C) to Seat Bar (E) , Support Leg (F) and the Back (A) as shown on the picture .Using the T bolt &nut (HW1) , Bolt & Round nut (HW2) , Allen screw (HW3) to fix all together by using the Allen key (HW6) and Extra bolt (HW5) as shown on these pictures .

PREPARATION

Tool required for assembly : Screw driver.

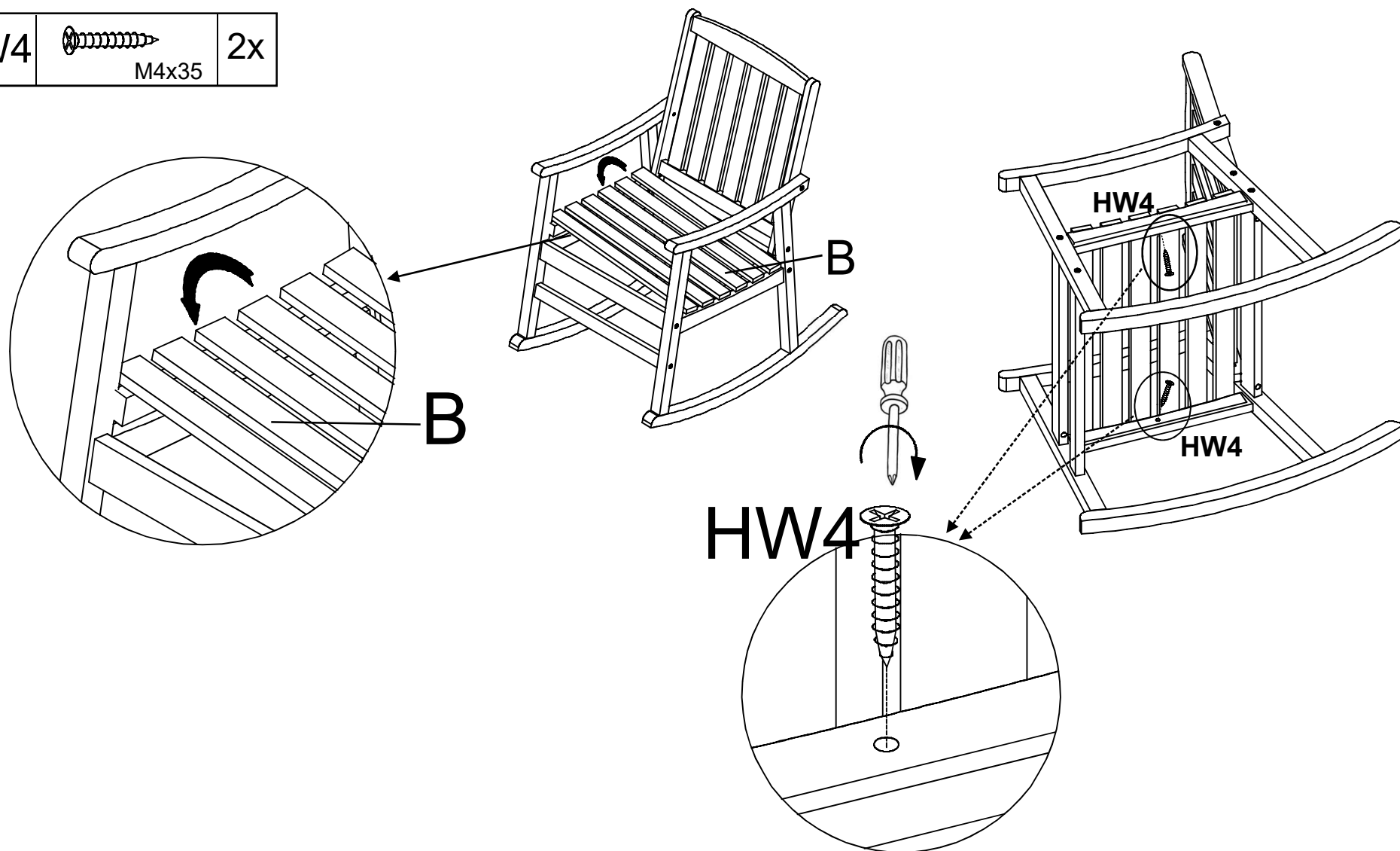
2

HW4



M4x35

2x



Step 2: Put the Seat (B) to the chair and using the Screw (HW4) to fix it by using the Screw driver as shown on the picture .