










CARE AND MAINTENANCE

Store outdoor furniture indoors or cover well when it is not in use. Dust regularly with small brush or vacuum. Spills should be taken care of immediately before they harden or stain with a slightly dampened sponge.

NOTICE

Please make sure that you have all parts indicated before you begin assembly of this item.

Part List and Hardware List

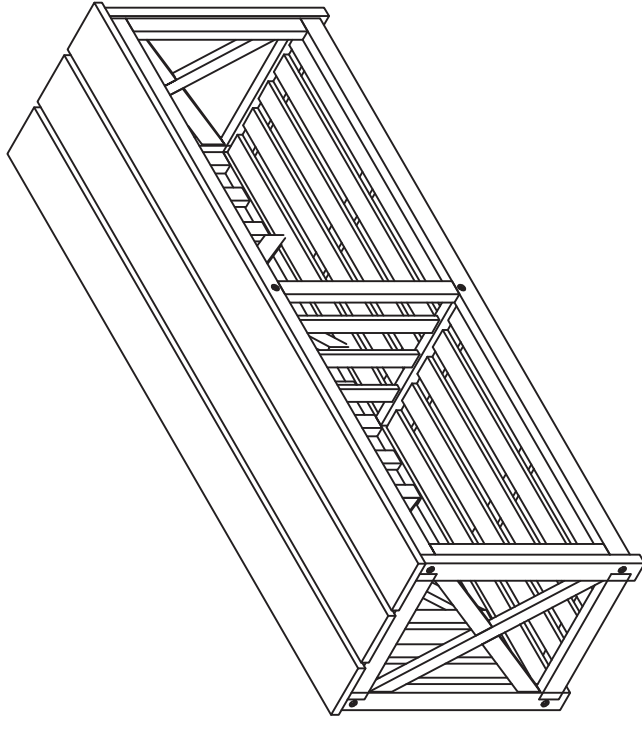
PIECE	DESCRIPTION	PICTURE	QUANTITY
A	Front side		1 X
B	Back side		1 X
C	Seat		1 X
D	Side		2 X
E	Support		1 X
F	Bottom		2 X
H1	Allen Screw	 M6 x 50	12 X
H2	Screw	 M4 x 30	3 X
H3	Allen Key		1 X

SAFAVIEH

OUTDOOR LIVING

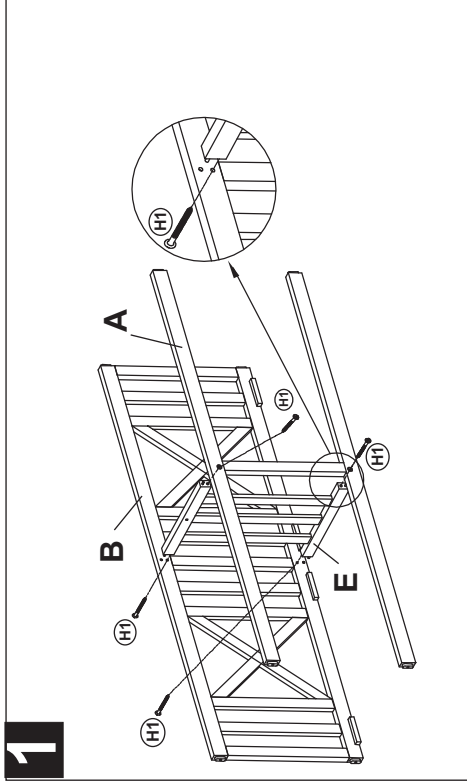
MODEL# FOX6706

Product Dimension: 51.58"W x 13.78"D x 18.11"H

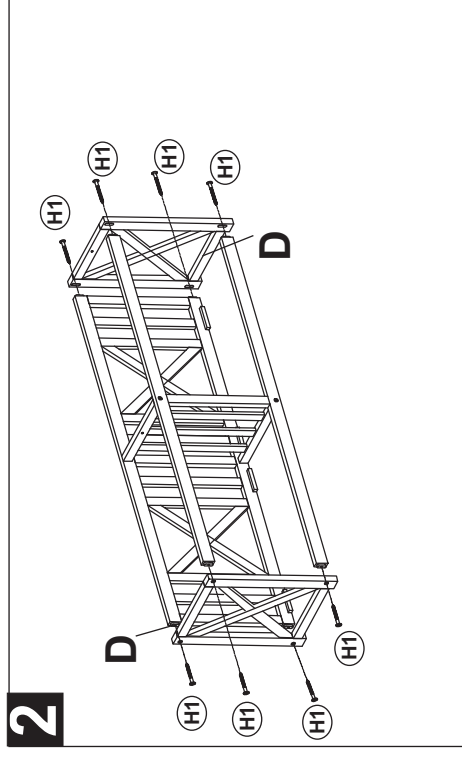


PREPARATION

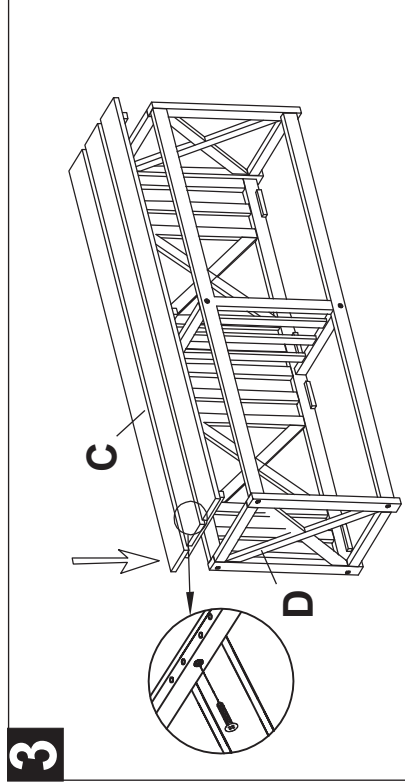
Before beginning the assembly of the product, make sure all parts are present. Compare the parts with the package contents list and hardware contents list. If any parts are missing or damaged, do not attempt to assemble the product. Tool required for assembly (included): Allen Key.



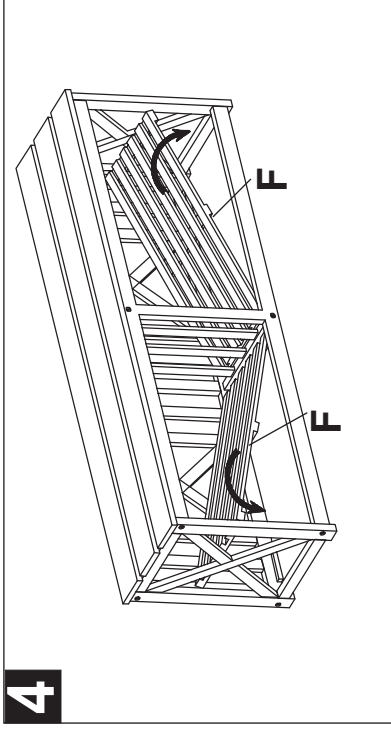
Step 1: attach the back (B) and front (A) to the support (E) by using the Allen Screw (H1) and tighten all with the Allen Key (H3) as shown on the picture.



Step 2: attach the side (D) to the frame as shown on the picture and use the allen screw (H1) to attach it to the frame by using the Allen Key (H3).



Step 3: put the seat (C) on top as shown on the picture and use the screw (H2) to attach it to the frame by using a screwdriver.



Step 4: put the bottom (F) inside the frame as shown on the picture.