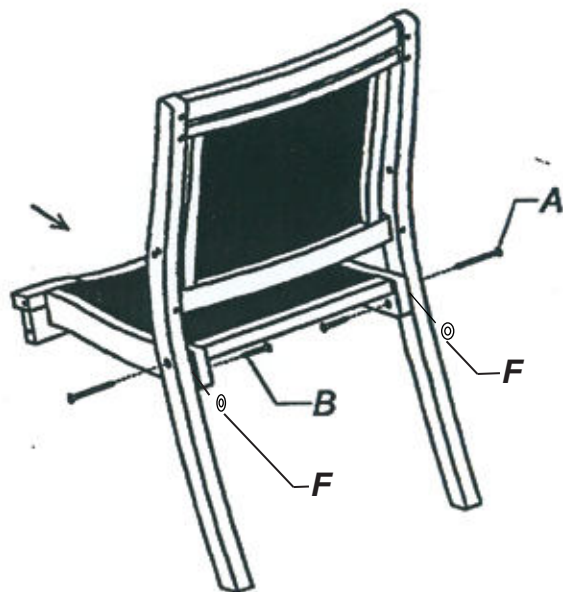
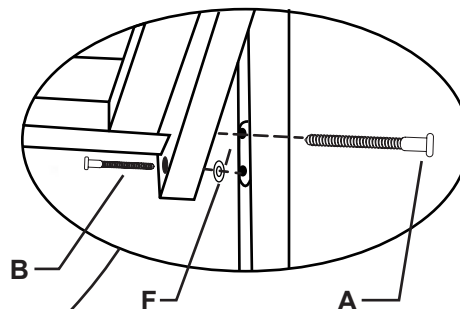
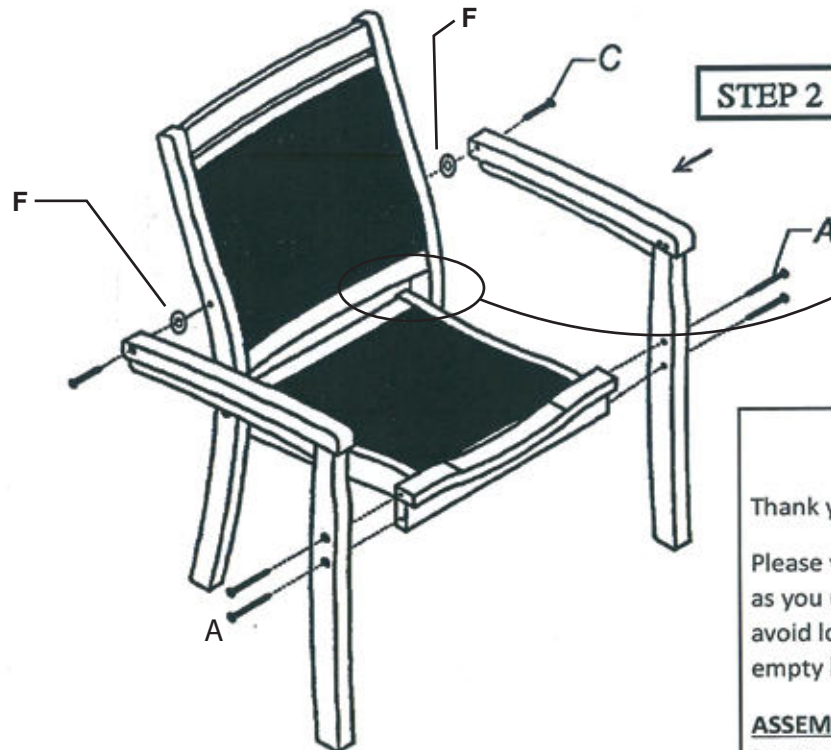


ASSEMBLY INSTRUCTIONS FOR # 10555DK SLING & EUCALYPTUS ARM CHAIR

STEP 1



STEP 2



STOP! PLEASE READ FIRST:

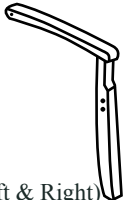
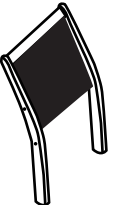
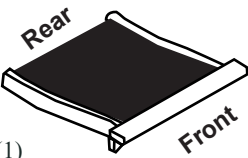



Thank you for purchasing this item from Outdoor Interiors.

Please verify all the hardware and components are included as you unpack the carton. Place the items in a safe area to avoid loss and damaging contents. Use a soft area or the empty box to assemble the item.

ASSEMBLY TIPS: Assemble on its side while following pictured instructions. Never over-tighten any screws or bolts. It's best to assemble with 2 people. Please visit our website if you have any questions www.outdoorinteriors.com.

Please review the "PLEASE OIL ME" card for how to care & maintain your new furniture.

Parts List

		
Arms(2) (Left & Right)	Back (1)	Seat (1)
		
A	B	C
Screw: 3.5" x(6Pcs) 7*90mm	Screw: 1.5" x(2Pcs) 7*40mm	Bolt: 2.5" x(2Pcs) 8*65mm

		
D	E	F
Key wrench x(1Pc)	Portable Drill Bit	Washer 2*8*20 (4Pcs)