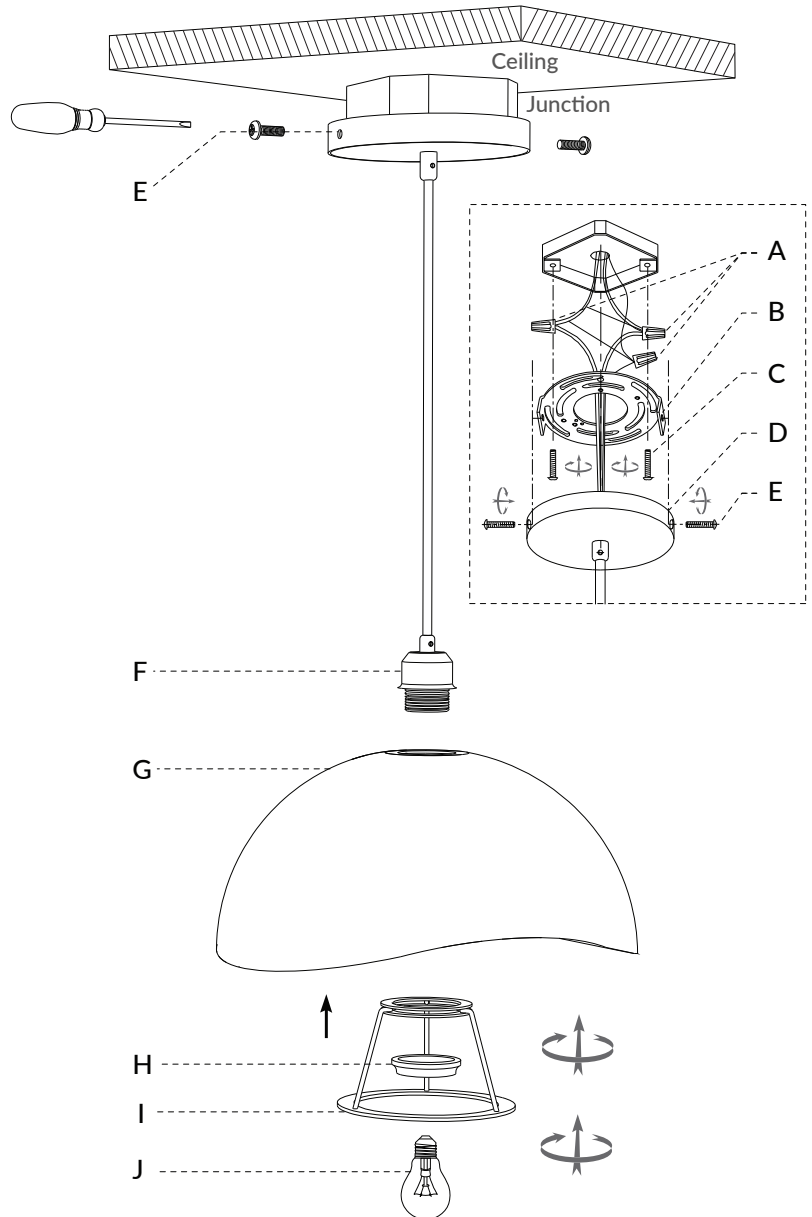


# ASSEMBLY INSTRUCTIONS

## LUNA BELLA LARGE PENDANT

### 3111017

1. Carefully remove all lamp parts from the box and spread on a flat clean surface.
2. Place ceiling canopy over junction box and secure with set screws.
3. Connect wires and ground wire using connectors.
4. Attach shade (G) to socket cup (F) by securing it with socket ring (H) and diffuser (I).
5. Insert the bulb (J) into the socket assembly (recommended: E26, A16, 23W LED, 2700K, 90+CRI).
6. Enjoy the beautiful light.



### IMPORTANT SAFETY INSTRUCTIONS

This lamp has a polarized plug (one blade is wider than the other) as a safety feature to reduce the risk of electric shock. This plug will fit in a polarized outlet only one way. If the plug does not fit fully in the outlet, reverse the plug. If it still does not fit, contact a qualified electrician. Never use with an extension cord unless the plug can be fully inserted. Do not alter the plug.

### IMPORTANTES INSTRUCCIONES DE SEGURIDAD

Esta lampara tiene un enchufe polarizado (una navaja es mas ancha que la otra) como forma de seguridad para reducir el riesgo de un shock electrico. Este enchufe polarizado entrara en una conexi3n solo de un lado. Si el enchufe no entra en la conexi3n trate al reverso. Si aun asi no entra, contacte a un electricista calificado. Nunca use una extension a menos que el enchufe pueda ser conectado completamente. No altere el enchufe.

 NOVA OF CALIFORNIA

WWW.NOVAOFCALIFORNIA.COM