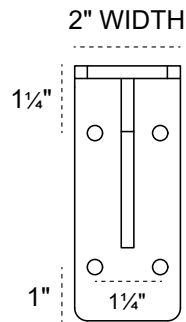


2-INCH W X 10-INCH D X 4³/₄-INCH H EMBREY BRACKET

FRONT
PROFILE

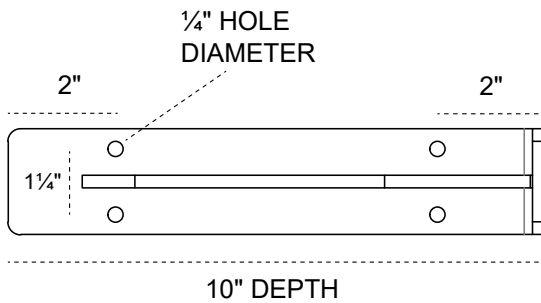
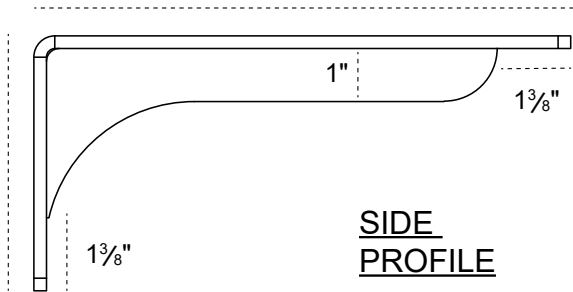


4 3/4" HEIGHT

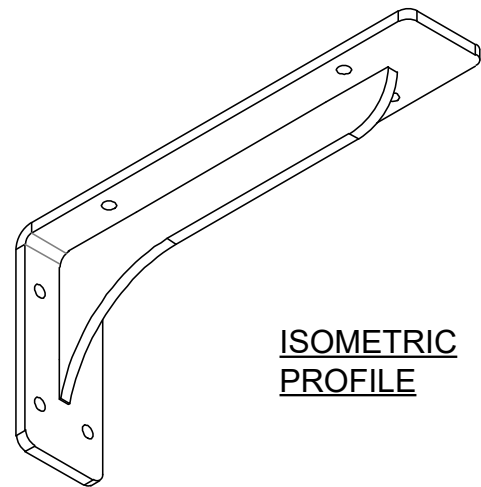
10" DEPTH

SIDE
PROFILE

1/4" THICK



UNDER



ISOMETRIC
PROFILE

HEAVY-DUTY 1/4" THICK

AVAILABLE IN:
STAINLESS STEEL
ZINC PLATED STEEL
POWDER COATED BLACK

BKTM02X10X04EBSS
BKTM02X10X04EBCRS
BKTM02X10X04EBPBL

P:866.607.0453 | F: 866.591.3143
2300 W. Main St. | Clarksville, TX 75426
sales@ekenamillwork.com | www.ekenamillwork.com



EKENA
MILLWORK