

IMPORTANT SAFETY INSTRUCTIONS

- Be sure the electricity to the system you are working on is turned off; either the fuse removed or the circuit breaker set at off.
- Use of other manufacturers components will void warranty, listing and create a potential safety hazard.
- If you are unclear as to how to proceed, contact a qualified electrician.
- You don't need special tools to install this fixture.
- Be sure to follow the steps in the order given.
- Read instructions carefully.
- Save these instructions.

CLEANING

To clean, wipe fixture with a soft cloth. Clean glass with a mild soap. Do not use abrasive materials such as scouring pads or powders, steel wool or abrasive paper.

ORDERING PARTS

Keep this sheet for future reference, and in case you need to order replacement parts. Parts for this fixture can be ordered from place of purchase. Be sure to use exact wording from illustration when ordering parts.

BEFORE YOU BEGIN

Carefully remove the fixture from the carton and check that all parts are included, as shown in Figure 1. Be careful not to misplace any of the screws or parts which are needed to install this fixture.

STEP 1:

Feed the fixture wire through the fixture loop (F) and thread fixture loop (F) to top of socket assembly (U).

INSTALLATION

IMPORTANT: DO NOT ATTACH FIXTURE DIRECTLY TO OUTLET BOX.

STEP 1:

Secure mounting bar (A) to outlet box using outlet box screws (not supplied). Thread nut (C) onto nipple (I) so five threads are exposed. Thread nipple (I) to mounting bar (A) and secure by tightening nut (C) to mounting bar (A). Thread screw collar (B) to nipple (I).

STEP 2:

Assemble rod assembly (E) by threading desired amount of rods together.

STEP 3:

Feed the fixture wire from the fixture loop (F), through: the rod assembly (E) and thread rod assembly (E) into fixture loop (F). If using optional chain, thread coupling at one end of chain into rod assembly (E) or fixture loop (F).

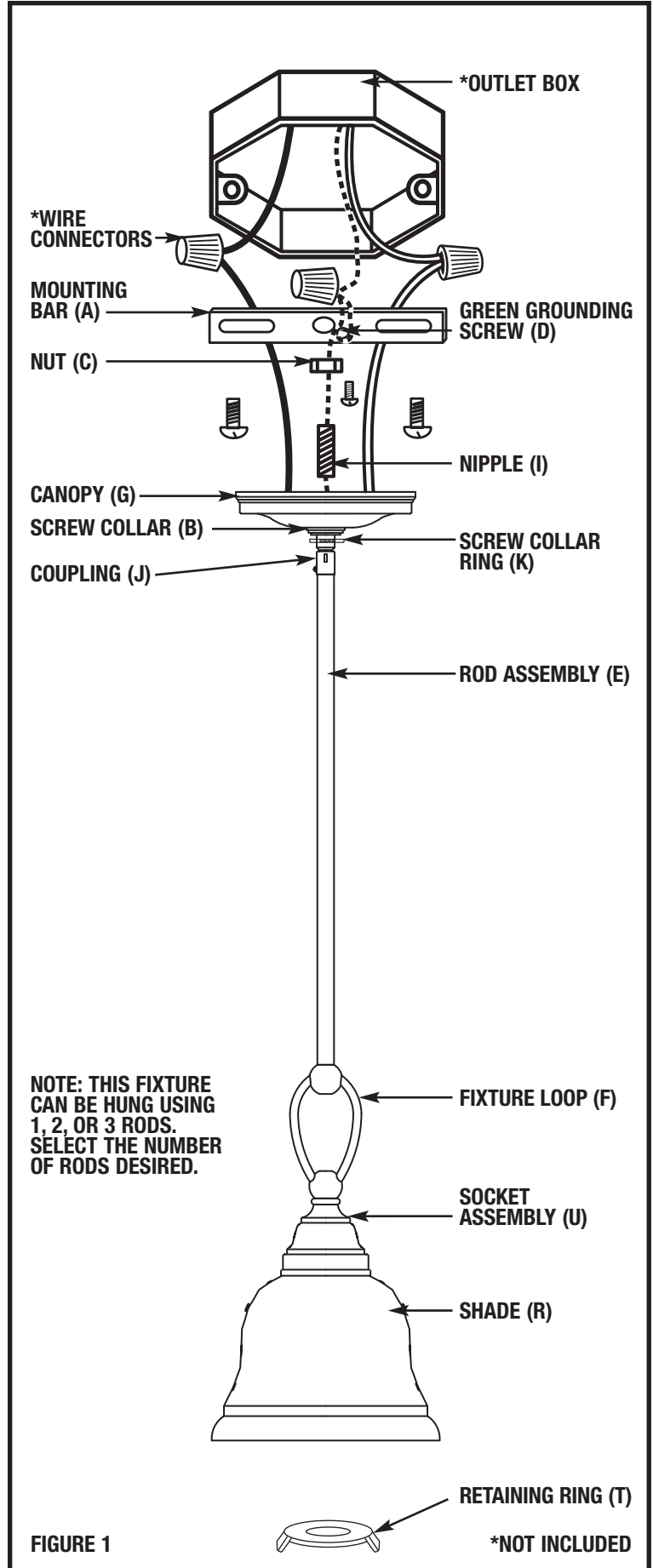


FIGURE 1

*NOT INCLUDED

STEP 4:

Slide screw collar ring (K) and canopy (G) (in that order) to top of socket assembly (U). Be sure not to damage the fixture wire. Thread remaining end of rod assembly (E) or chain coupling to nipple of the coupling (J) at the screw collar (B).

WIRING

STEP 5:

- A. Use a listed wire connector to connect the fixture hot wire (black wire, or round and smooth tracer) to the supply hot wire.
- B. Use a listed wire connector to connect the fixture common wire (white wire, or square and rigid) to the supply common wire.
- C. Gently try to remove the wires from the connector. If you can remove the wires, carefully re-do the wiring connection.

STEP 6:

GROUNDING INSTRUCTIONS:

Connect the supply ground wire, fixture ground wire, and mounting bar ground wire (pre attached) using the supplied wiring connector. Gently try to remove the wires from the connector. If you can remove the wires, carefully re-do the wiring connection.

FINAL ASSEMBLY

Make sure no bare wires can be seen outside wire connectors.

STEP 7:

After wires are connected, tuck them carefully inside outlet box and then raise the canopy (G) against the ceiling. Secure by threading screw collar ring (K) onto screw collar (B).

STEP 8:

Place shade (R) securely in socket assembly (U). Secure by threading retaining ring (T) onto socket.

STEP 9:

Install lamp.

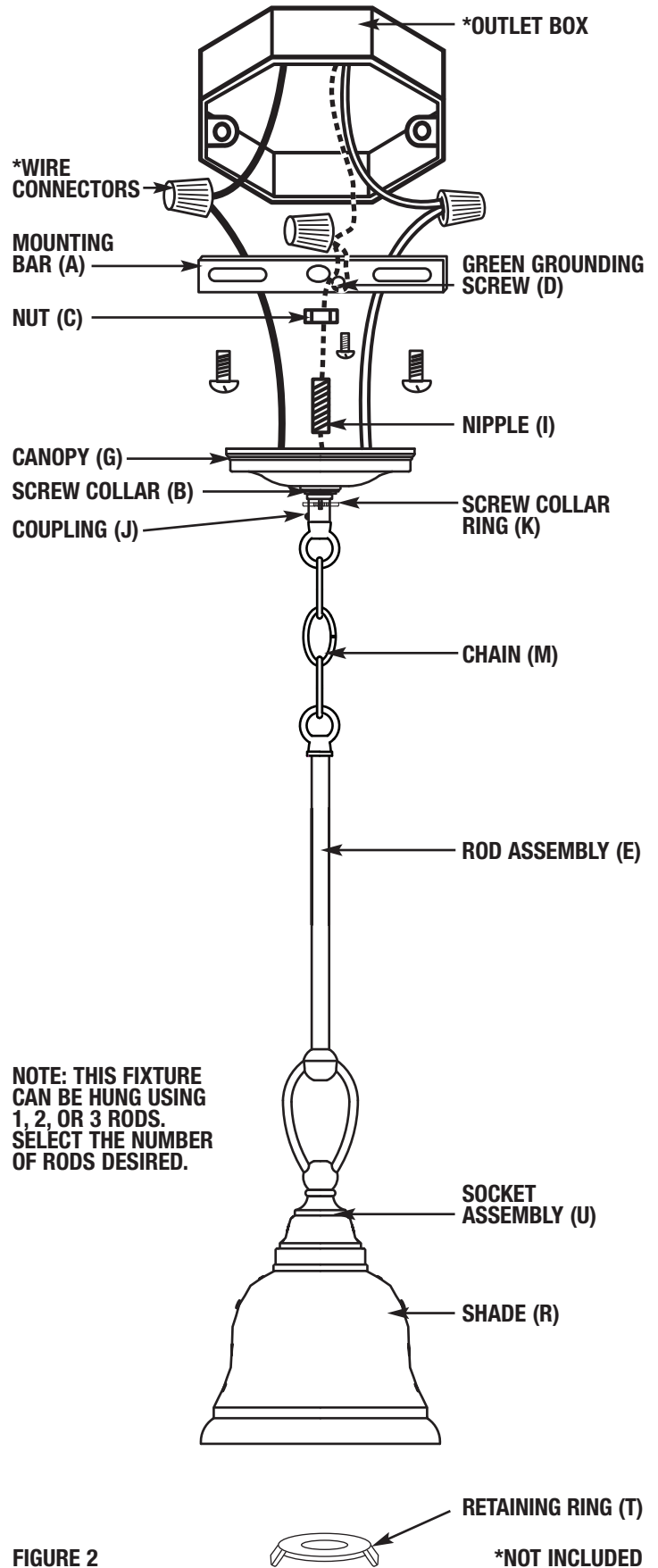


FIGURE 2

*NOT INCLUDED