



Liberty Furniture
INDUSTRIES . INC

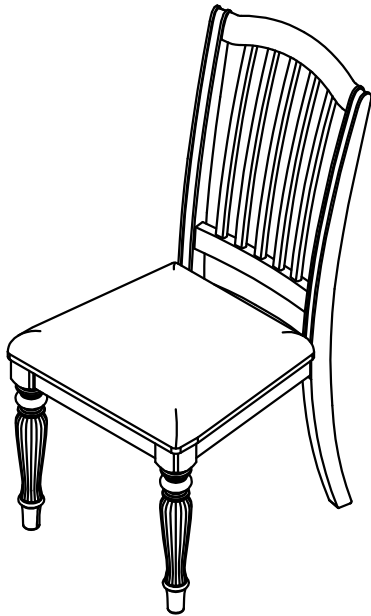
LIBERTY FURNITURE

ASSEMBLY INSTRUCTIONS

ITEM#: 334-C1501S

DESCRIPTION: SLAT BACK SIDE CHAIR (RTA)

Thank you for purchasing this quality product. Be sure to check all packing material carefully for small parts which may have Some loose inside the carton during shipment. Identify and count all parts and compare with the parts List Below:



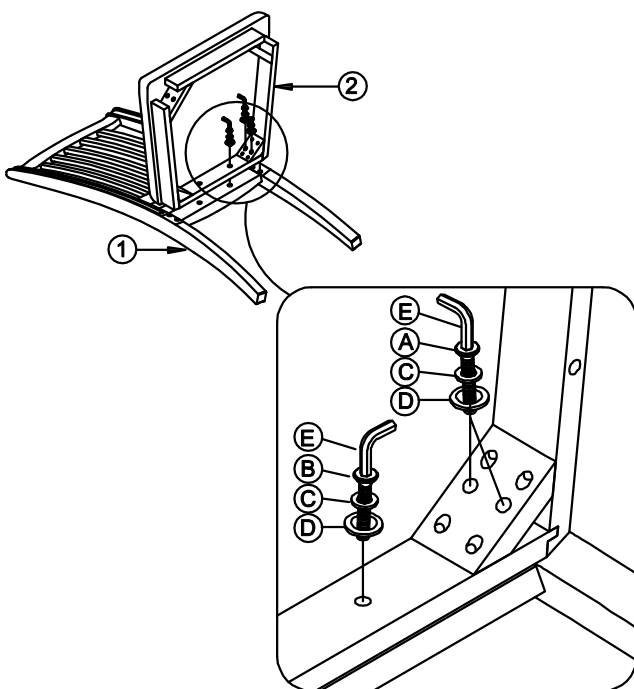
HARDWARE LISTS

| NO. | SKETCH | HARWARE | Q'TY |
|-----|------------|-------------|-------|
| A | 1/4"X 75mm | LONG BOLT | 4PCS |
| B | 1/4"X 40mm | SHORT BOLT | 2PCS |
| C | 5/16"X13mm | LOCK WASHER | 10PCS |
| D | 5/16"X19mm | FLAT WASHER | 10PCS |
| E | 4mm | ALLEN KEY | 1PC |
| F | 5/16"X6mm | NUT | 4PCS |
| G | 5/16"X90mm | WRECH | 1PC |

HARDWARE LISTS

| NO. | SKETCH | PARTS | Q'TY |
|-----|--------|------------------|------|
| 1 | | CHAIR BACK | 1PC |
| 2 | | CUSHION SEAT TOP | 1PC |
| 3 | | LEG | 2PCS |

STEP 1:



STEP 2:

