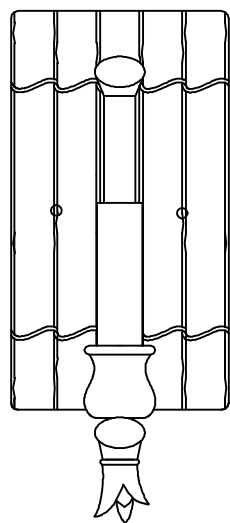
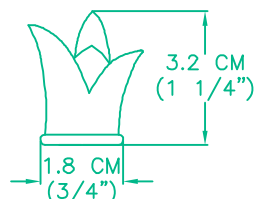


AVAILABLE PARTS ARE:
 90456SH (SHADE)
 90456TOPFIN (SHADE FINIAL)
 90456FIN (ARM FINIAL)
 90459HARP (HARP)
 90459CNDL (CANDLE SLEEVE)



BACKPLATE

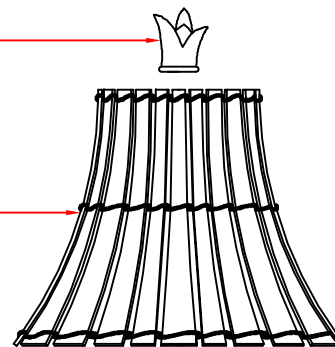


SHADE FINIAL DETAILS
 NOTE: THE SHADE FINIALS ARE SMALLER THAN ARM FINIALS

FRONT VIEW

SHADE FINIAL
 90456TOPFIN
 (REPLACEMENT PART)

SHADE
 90456SH
 (REPLACEMENT PART)



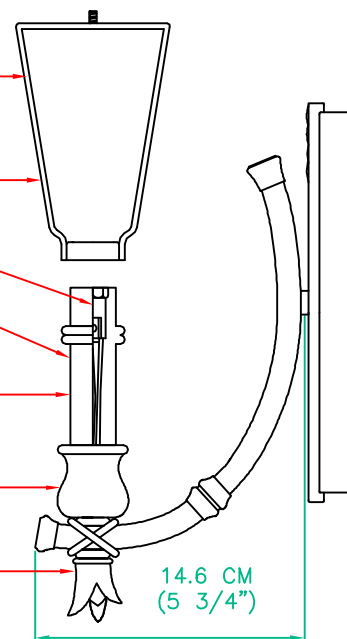
HARP
 HARP
 90459HARP
 (REPLACEMENT PART)

SOCKET
 CANDLE SLEEVE
 CANDLE SLEEVE
 90459CNDL
 (REPLACEMENT PART)

CUP

ARM FINIAL
 90456FIN
 (REPLACEMENT PART)

14.6 CM
 (5 3/4")



SIDE VIEW

PRODUCT SPECIFICATIONS

OVERALL ASSEMBLED DIMENSIONS

HEIGHT- 33 CM (13") WIDTH- 18.4 CM (7 1/4") EXTENSION- 23.2 CM (9 1/4")

1 LIGHT: UL LISTED, 60 WATT, CANDELABRA BASE E-12 SOCKET, CANDEL SLEEVE PROVIDED.

SUPPLY WIRE: MIN. 15.2 CM (6") AWG. 18, 105°C, ONE BLACK AND ONE WHITE, ONE GROUND WIRE. COPPER MATERIAL. WIRES MUST BE LEAD FREE.

FACEPLATE: PLATED BAMBOO, 0.8 MM THICK, 12 CM (4 3/4") WIDE x 22 CM (8 5/8") HIGH x 0.7 CM (1/4") DEEP, SHAPED AS SHOWN.

SHADE: BAMBOO SHADE, 8.9 CM (3 1/2") DIA. (TOP) x 18.4 CM (7 1/4") DIA. (BOTTOM) x 15.2 CM (6") HIGH. SHAPED AS SHOWN.

COLUMN: PLATED STEEL, 4 CM (1 1/2") DIA, x 4 CM (1 1/2") HIGH. SHAPED AS SHOWN.

LABELS: UL AND CSA OR CUL, MANUFACTURING DATE, MODEL # AND COUNTRY OF ORIGIN LABELS PROVIDED ON BACKPLATE. RELAMPING LABEL FOR 60 WATT TYPE B BULB PROVIDED ON SOCKET.

PACKAGING AND SHIPPING DETAILS

THE FIXTURE IS SHIPPED DISASSEMBLED AS SHOWN. ALL PARTS ARE SECURED SO THEY CAN NOT MOVE DURING SHIPPING.

HARDWARE PACK #005 IS PROVIDED. ENTIRE FIXTURE IS COVERED IN A CLOSED PLASTIC BAG WITH A SMALL BAG OF SILICA GEL INSIDE.

THE CARTON IS MADE OF A DOUBLE WALL CORRUGATED CARDBOARD "A MA A". THE INNER PACKING IS DIE-CUT CARDBOARD OR STYROFOAM SUFFICIENT TO PROTECT AND SECURE THE LAMP AND MUST PASS THE FEDEX AND ISTA-3A DROP TEST REQUIREMENTS. EXTERIOR IS BROWN KRAFT.

EACH CARTON SHALL BE PRINTED WITH A LINE DRAWING AND THE KENROY HOME NAME AND LOGO, MODEL NUMBER AND FINISH, EACH CARTON SHALL BE PROVIDED A UPC LABEL. THE UPC BAR CODE AS FOLLOWS: BH=053392160098.

OTHER DETAILS: ALL PARTS EXCEPT FOR SOCKET RING MUST MATCH FIXTURE FINISH.

ENTIRE BACKPLATE ASSEMBLY MUST SIT FLUSH AGAINST WALL SURFACE.

MODEL 90451 INSTRUCTIONS ARE TO BE PACKED WITH EACH LAMP AND PRINTED CLEARLY ON QUALITY PAPER.

ALL BAGS MUST BE LABELED WITH OFFICIAL "THIS BAG IS NOT A TOY" STATEMENT.

ASSEMBLY TIME: 10 MINUTES.

THE UL NUMBER IS E149494.

DIMS OF UNIT BOX: 31 CM (12-3/16") LENGTH x 22 CM (8-11/16") WIDTH x 29.5 CM (11-5/8") HEIGHT. (CUFT.: 0.71')

DIMS OF MASTER BOX: 46 CM (18-1/8") LENGTH x 32.5 CM (12-13/16") WIDTH x 62.5 CM (24-5/8") HEIGHT. (CUFT.: 3.3') (4 BOX/CTN)

NET WEIGHT (UNIT): 3.3 LBS. GROSS WEIGHT (UNIT): 5.1 LBS.

NET WEIGHT (MASTER): 13.2 LBS. GROSS WEIGHT (MASTER): 21.6 LBS. (4 BOX/CTN)

**KENROY
HOME**

3723 Regent Boulevard
 JACKSONVILLE, FL. 32224
 PHONE: 904-642-4340
 FAX: 904-642-4150

THIS DOCUMENT AND THE INFORMATION THAT IT DISCLOSES IS THE EXCLUSIVE PROPERTY OF KENROY HOME. ANY REPRODUCTION OR USE OF THIS DRAWING IN PART OR IN WHOLE, WITHOUT THE EXPRESS CONSENT OF THE PROPRIETOR IS PROHIBITED. © 2000 KENROY HOME.

DATE: 6/15/02

SCALE: NONE

DRAWN BY: BCY

REFERENCE: 1 LT. KWAI SCONCE MOUNT

REVISION DATE:
5/10/08 add parts NO.

REVISION DATE:
1/12/09 change shade DIM.

REVISION DATE:
8/5/2013 add package drawing

APPROVAL:
1/18/2016 add notes

MODEL #:

90451

FINISH:

BH

PAGE:

1

OF:

1