

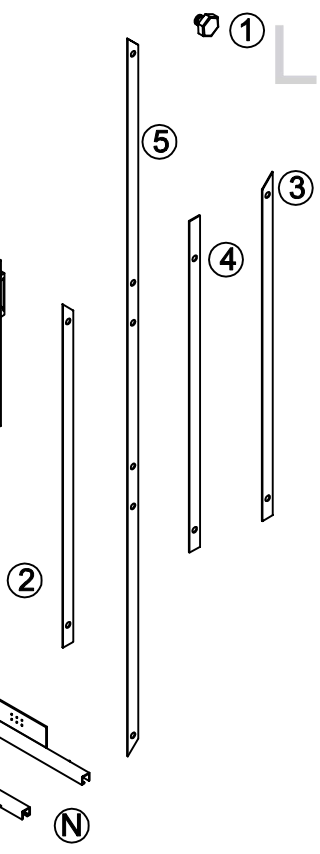
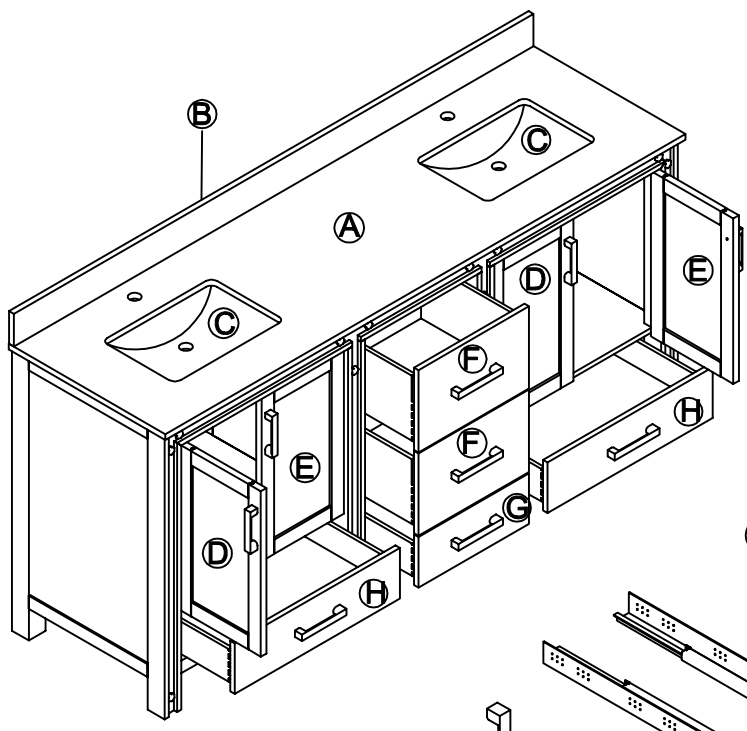
#1

PART LIST



LEXORA®

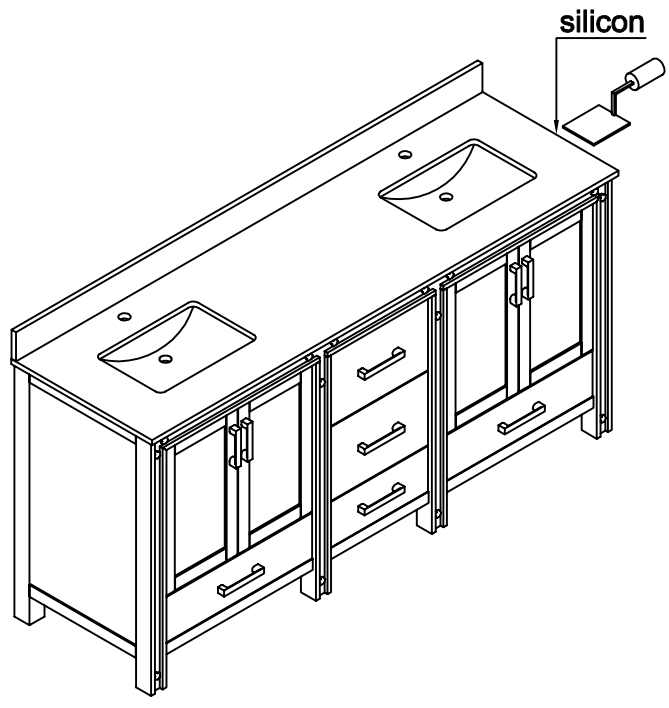
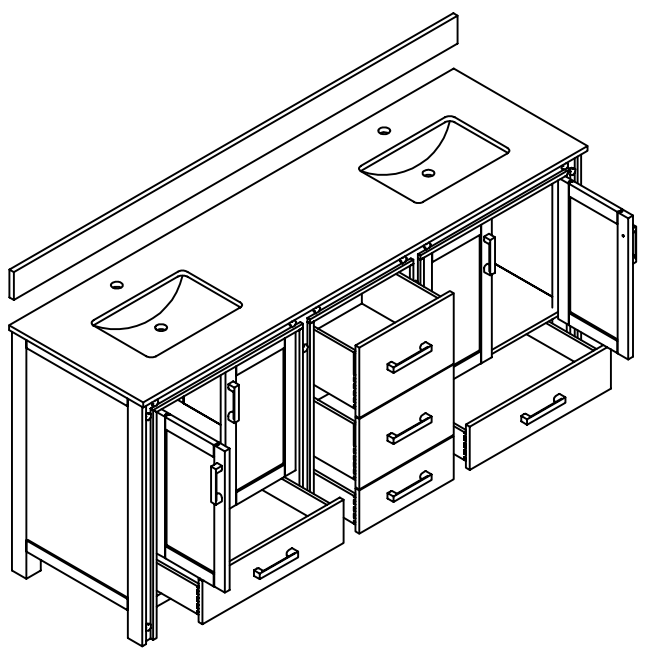
HOME DECOR & HOME FURNISHINGS



PART #	DESCRIPTION	QUANTITY
A	Countertop	1
B	Backsplash	1
C	Basin	2
D	Door (Left)	2
E	Door (Right)	2
F	Drawer (Mid)	2
G	Drawer (Mid)	1
H	Drawer (Left / Right)	2
I	Hinge (Door)	8
L	Handle (Drawer)	5
M	Handle (Door)	4
N	Drawer Glides	5
1	Button	14
2	Hardware (Left)	1
3	Hardware (Right)	1
4	Hardware (Mid-Below)	2
5	Hardware (long)	1

INSTALLATION

A B

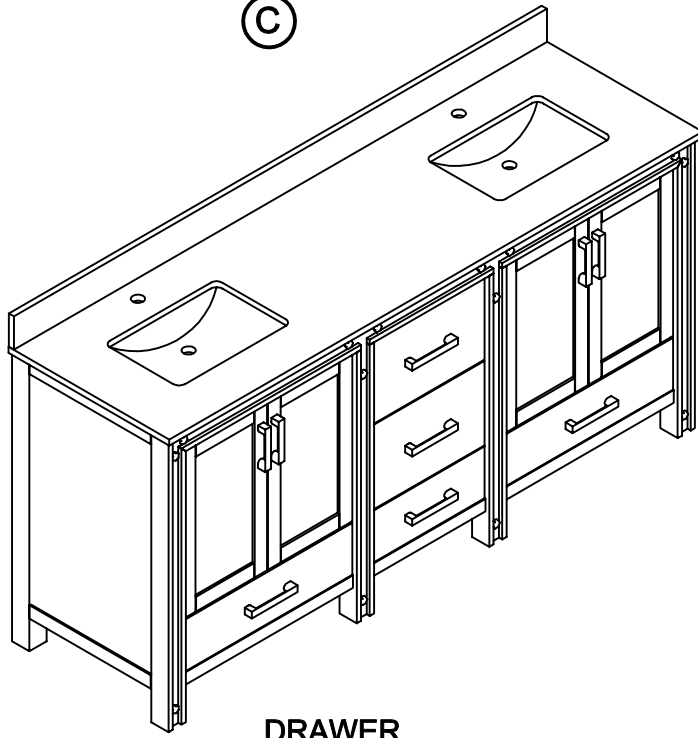


INSTALLSTION

#1

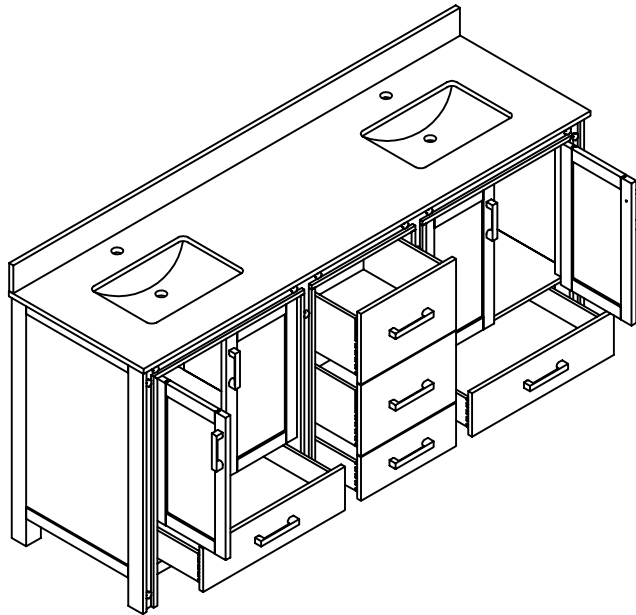


C



DRAWER

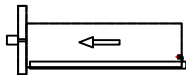
#2



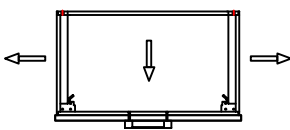
REMOVE

INSTALL

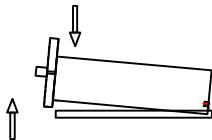
1



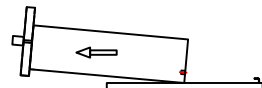
2



3



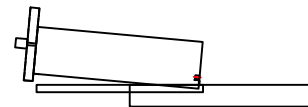
4



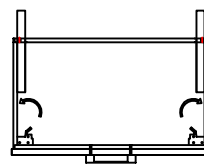
B

C

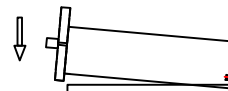
1



2



3



4

