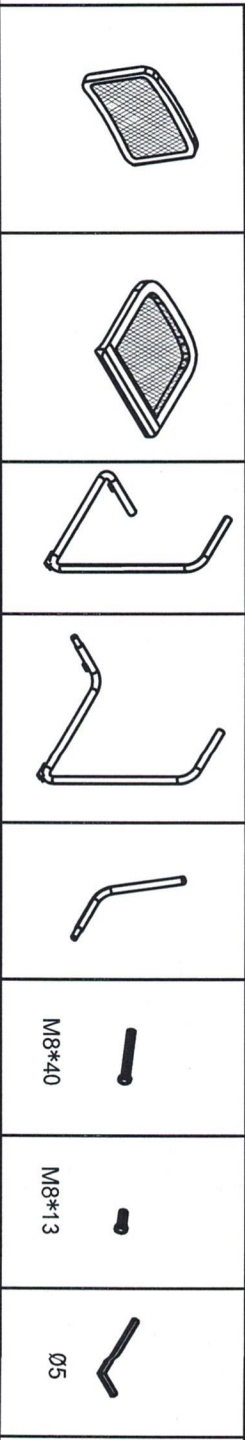
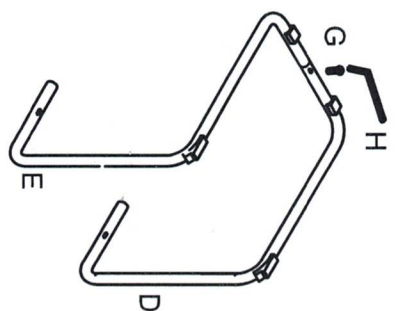
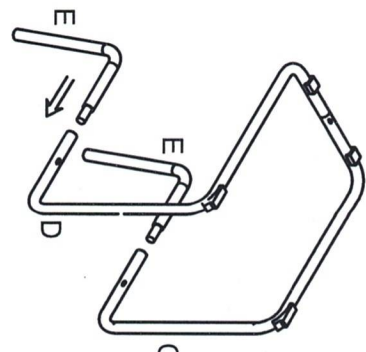
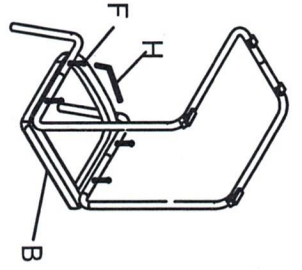
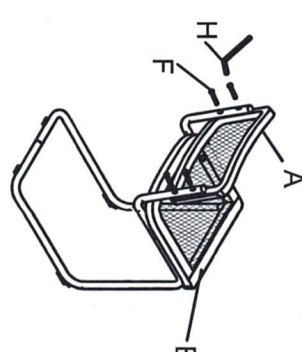
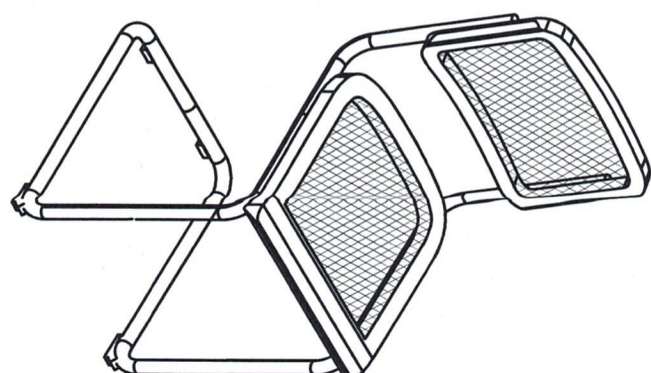


| Assembly Diagram | Ax1 Back | Bx1 Seat | Cx1 Right leg | Dx1 Left leg | Ex2 Backrest | Fx8 Screw | Gx1 Screw | Hx1 Spanner | |
|---|---|---|------------------|--|--|--------------|--------------|----------------|--|
| |  | | | | | | | | |
| <p>Step 1</p>  <p>Push the right leg into the left leg ,then install with screw G</p> | <p>Step 2</p>  <p>Push the backrest E into the leg</p> |  <p>Install Seat B and the base with the screw G</p> | <p>Step 3</p> | <p>Step 4</p>  <p>Install Back A and the base ,and tighten all screw</p> |  | | | | |