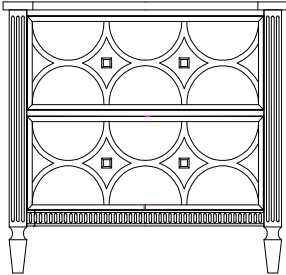
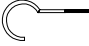
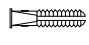


ASSEMBLY INSTRUCTION

Item#: 5047- 85122 Two Drawer Chest

**** Please make sure you have all parts indicated below prior to assembly.**



NO.		HARDWARE LIST	Q'TY
B		HOOK	2
C		PLASTIC ANCHOR	2

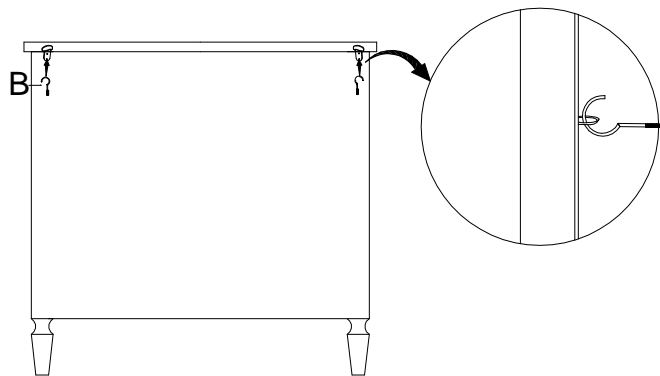


Diagram1

ANTI-TIP RESTRAINTS:

1. Place the chest in a desired location. Mark wall with pencil.
2. Drill two holes into the wall using 1/4" drill bit and insert the plastic anchors (C).
3. Screw hook (B) into plastic anchor (A). Check and make sure the plastic anchor (A) is securely held in the wall.
4. Set chest in place and hang the metal rings attached on back of chest on to the hook (B) (See diagram1).

Cleaning Instruction: Clean finished parts with a damp cloth using a mild dishwashing liquid and water solution. Polish the finish with soft cloth and an industry recognized furniture polish.