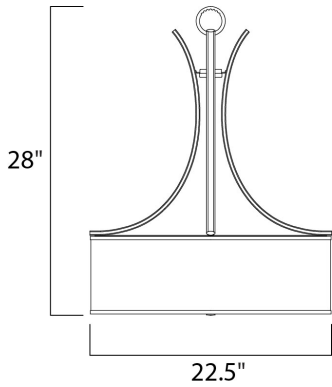




**PRODUCT DESCRIPTION**

Orion collection's sweeping arms formed from oval-shaped Satin Nickel add stark contrast to the charcoal-colored, sheer fabric shades with Satin White interior glass. This contemporary collection works well in both modern and transitional interiors.



**MEASUREMENTS**

DIMENSION : 22.5" W x 28" H  
 HANGING WEIGHT : 13.93 lb

**LAMPING**

INPUT VOLTAGE : 120V  
 BULB : 4 x 60W Incandescent E26 Medium , 240W Total  
 BULB INCLUDED : (Not Included)  
 DIMMABLE : Yes

**FINISHES OPTION**

 Satin Nickel

**GLASS**

Satin White SW

**MATERIAL**

Steel, Fabric, Glass

**RATINGS**

cETLus  
 Dry Location



**ADDITIONAL**

OPERATING TEMPERATURE:  
 -20°C (-4°F), 40°C (104°F)

Always consult a qualified electrician before installing any lighting product.



**WESTERN DISTRIBUTION CENTER (HEADQUARTER)**  
 253 NORTH VINELAND AVE | CITY OF INDUSTRY, CA 91746

**EASTERN DISTRIBUTION CENTER**  
 4200 SHIRLEY DR. | ATLANTA, GA 30336

P. 626.956.4200 | F. 626.956.4225 | maximlighting.com