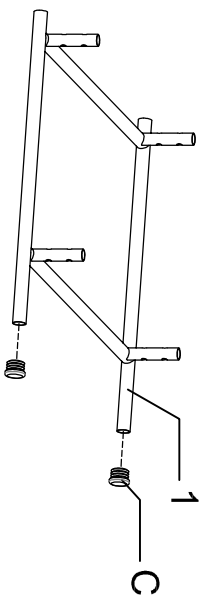
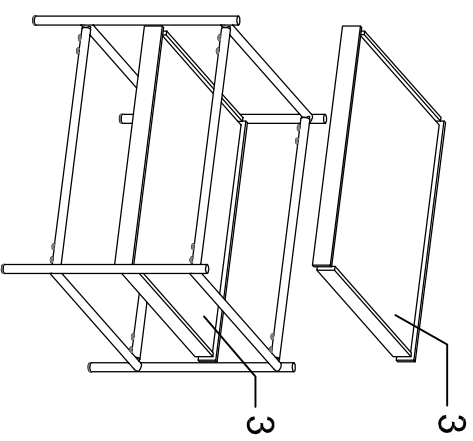


**\*\* Do not tighten any bolts until all of them have been started !**

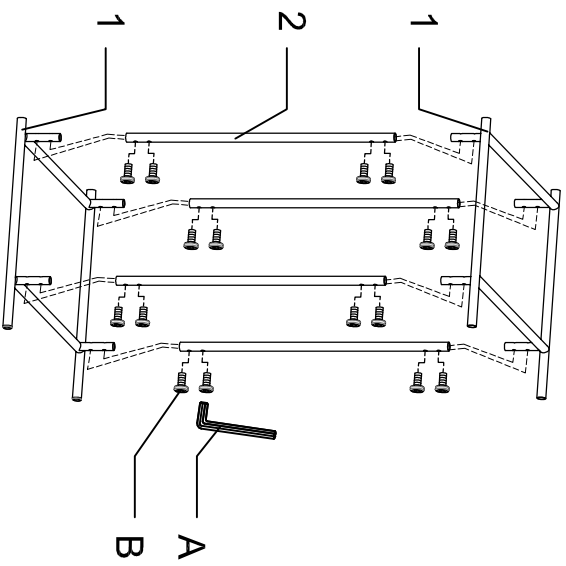
Step 1.



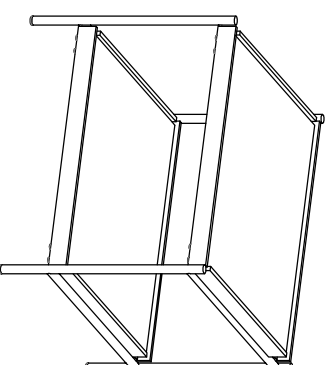
Step 3.



Step 2.

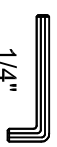


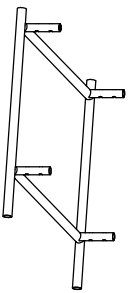




Step 4.



### ACCESSORY PACK

### COMPLETE HARDWARE

<b>A</b>  1/4"	<b>B</b> 	<b>C</b> 
1PC	16PCS	4PCS
1	2	3
		
2PCS	4PCS	2PCS