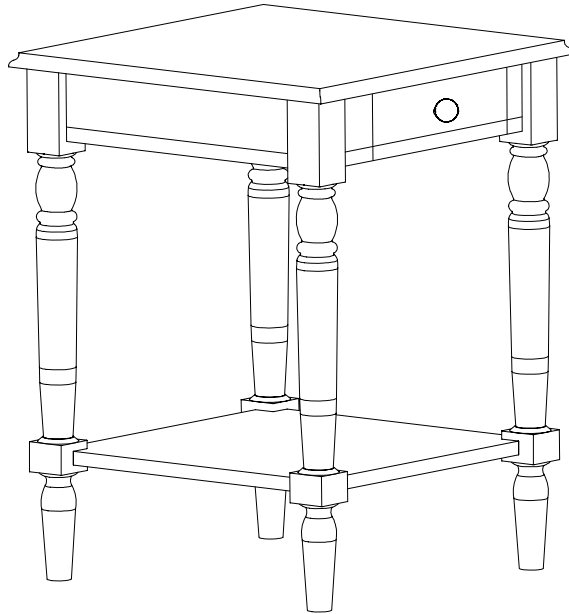



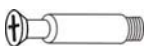
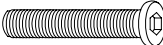





CONVENIENCE CONCEPTS

French Country End Table

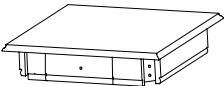
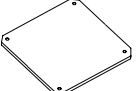
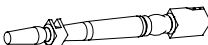


Item No. 6042185
6042185BL
M6042185

HARDWARE LIST

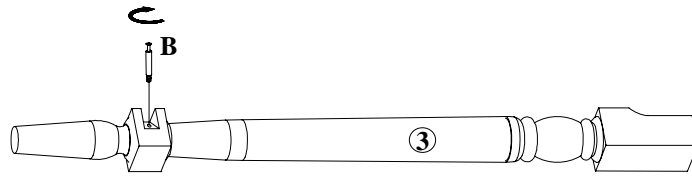
CODE	NAME	FIGURE	Q'TY
A	CAM LOCKS (Ø15x9mm)		4PCS
B	CAM BOLTS (Ø6.5x35mm)		4PCS
C	RAIL SCREW (Φ1/4"x51mm)		8PCS
D	SPRING WASHER (Φ1/4")		8PCS
E	FLAT WASHER (Φ1/4"x16mm)		8PCS
F	ALLEN WRENCH		1PC
G	MACHINE SCREW (22mm)		1PC
H	HANDLE		1PC

PARTS LIST

CODE	NAME	FIGURE	Q'TY
①	TOP PANEL		1PC
②	BOTTOM PANEL		1PC
③	LEG		4PCS

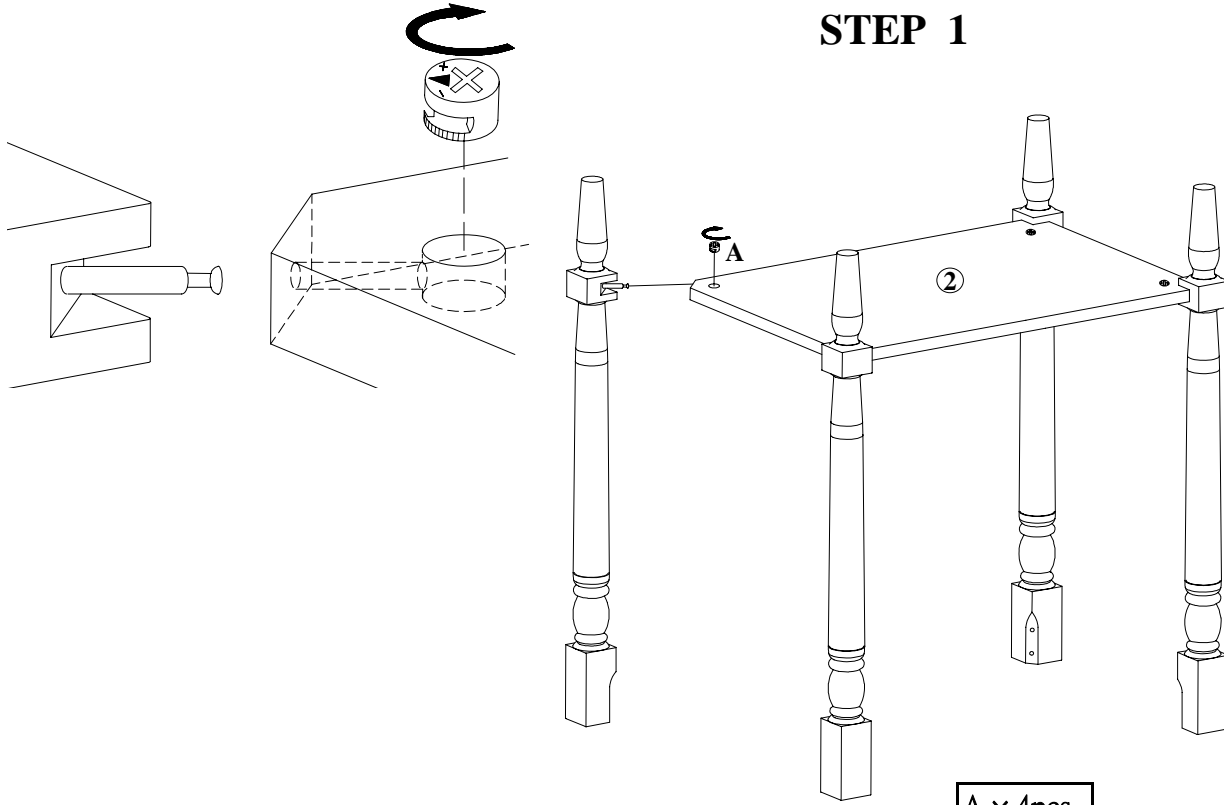


Please do not return to the store
If you have any questions just call
1-800-468-6447 or email us at
parts@convenience-concepts.com



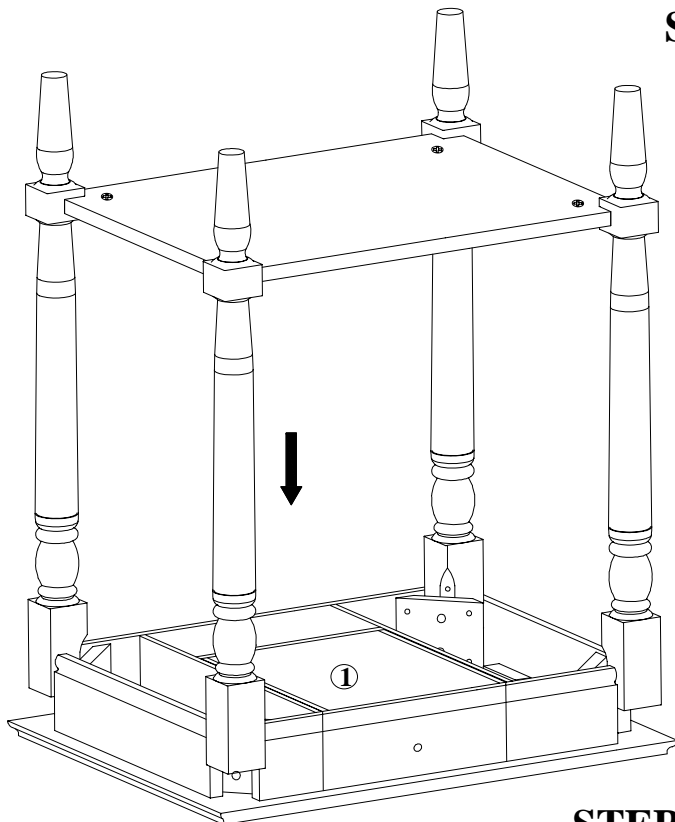
B x 4pcs

STEP 1

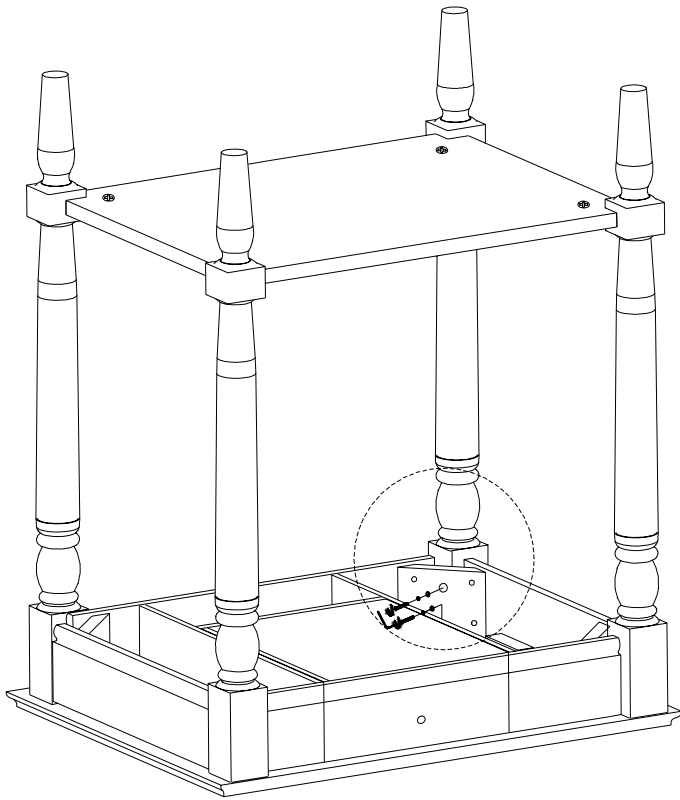


A x 4pcs

STEP 2

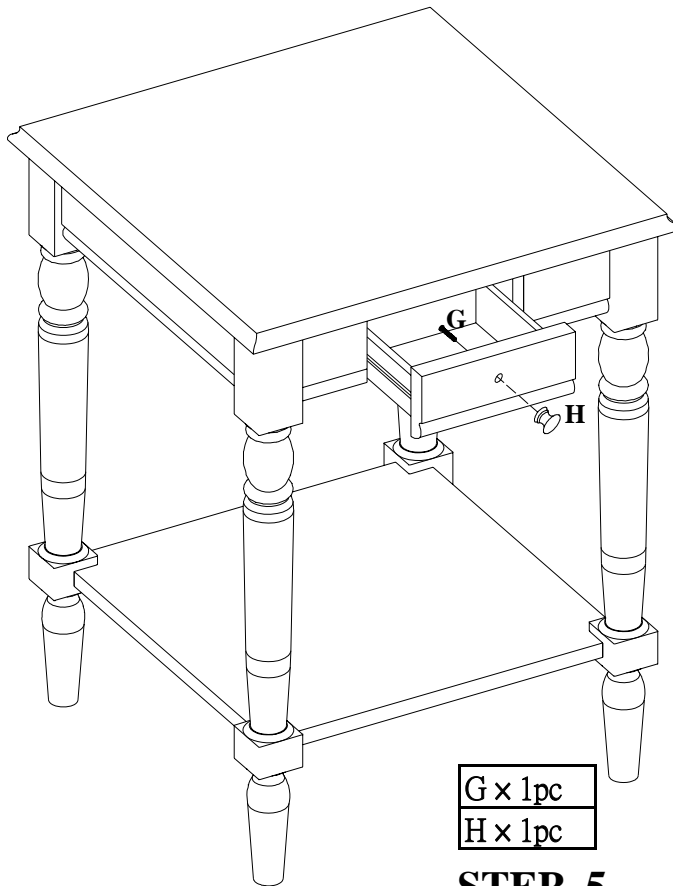


STEP 3



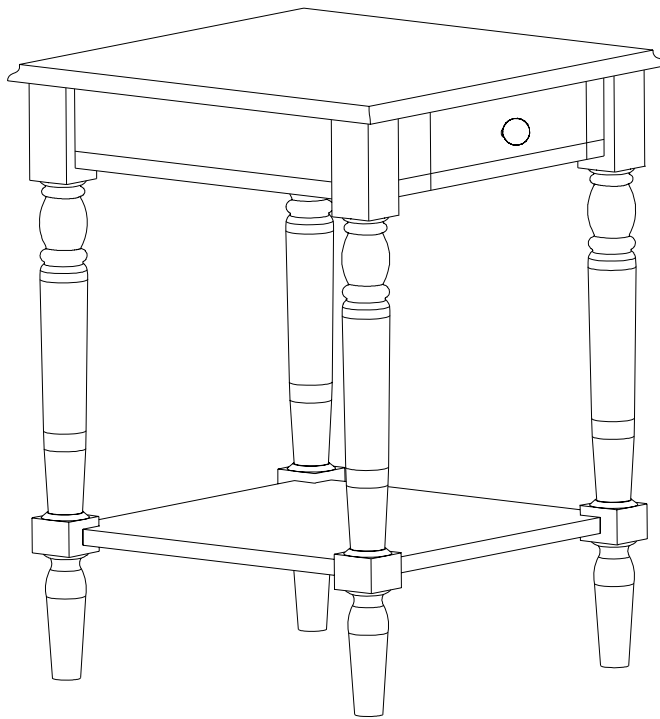
C × 8pcs
D × 8pcs
E × 8pcs
F × 1pc

STEP 4



G × 1pc
H × 1pc

STEP 5



STEP 6

**If you have any questions just call 1-800-468-6447.
Please refer to the item number above when calling.**