

WARNING:

Small parts and sharp points may be present prior to assembly.

Care Instructions

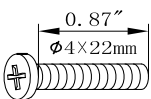
To clean your product, use mild soap and water on a damp cloth. Do not use window cleaners or cleaning abrasives as they will scratch the surface and could damage the protective coating.

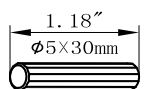
Customer Service

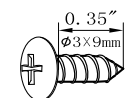
For questions regarding this product, or to receive replacement or missing parts, please contact customer service based on your location. Please have ready the model number and part number(s) located in this assembly instruction sheet when you contact us.

www.teamsonkids.com

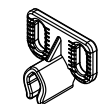
HARDWARE :

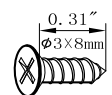
①  41PCS

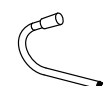
②  17PCS

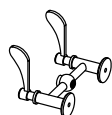
③  20PCS

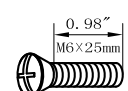
④  5PCS

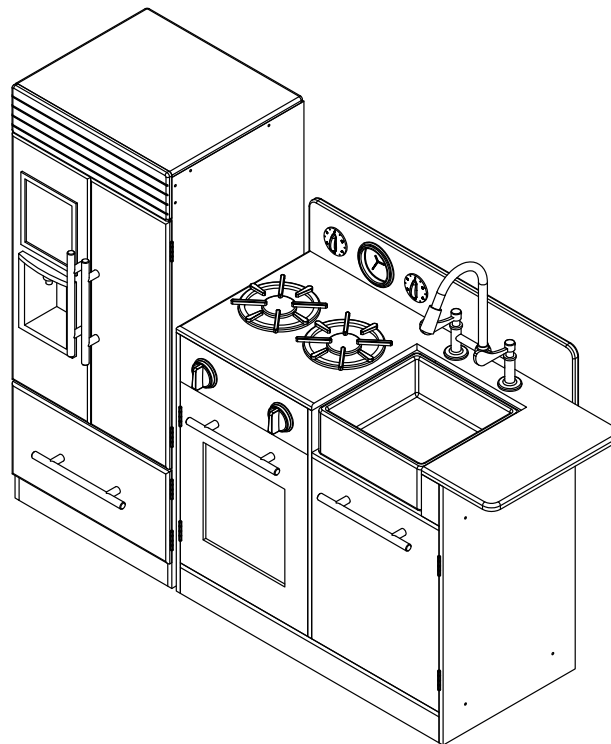
⑤  5PCS

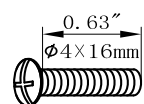
⑥  20PCS

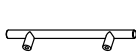
⑦  1PC

⑧  1PC

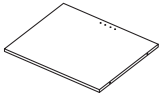
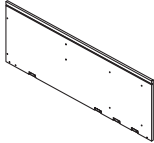
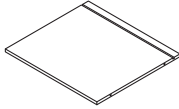
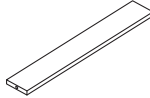
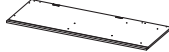

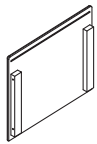
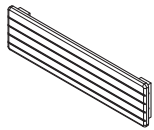
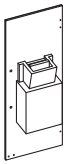
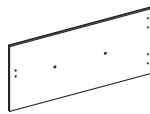

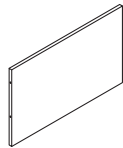
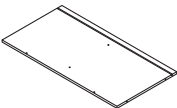
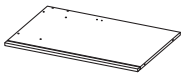
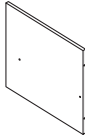
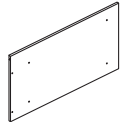
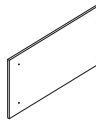
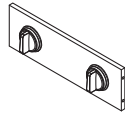
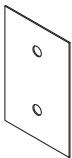

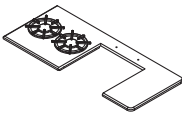
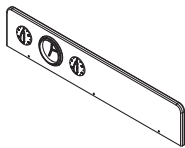
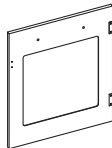
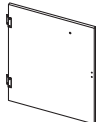
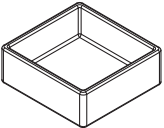
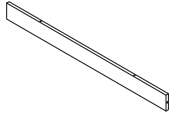
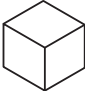
⑨  1PC




⑩  10PCS

⑪  5PCS

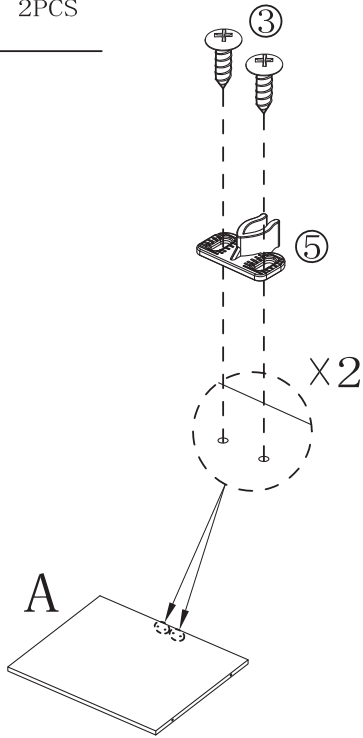
PRODUCT PARTS:

A	B	C	D	E	F
					
1PC	1PC	1PC	1PC	1PC	1PC
G	H	I	J	K	L
					
1PC	1PC	1PC	1PC	1PC	1PC
M	N	O	P	Q	R
					
1PC	1PC	1PC	1PC	1PC	1PC
S	T	U	V	W	X
					
2PCS	1PC	1PC	1PC	1PC	1PC
Y	Z	(12)			
					
1PC	1PC	2PCS			

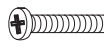
Step 1

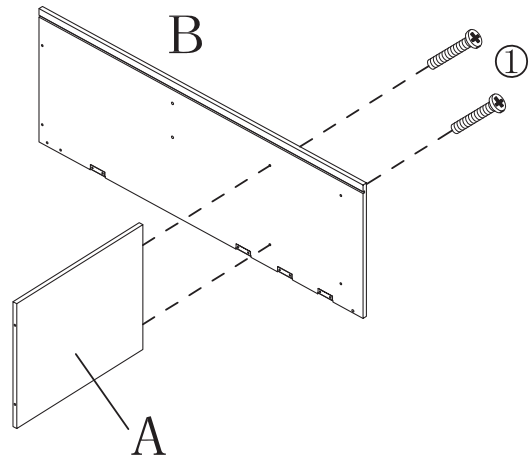
③  4PCS
φ3×9mm

⑤  2PCS

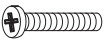


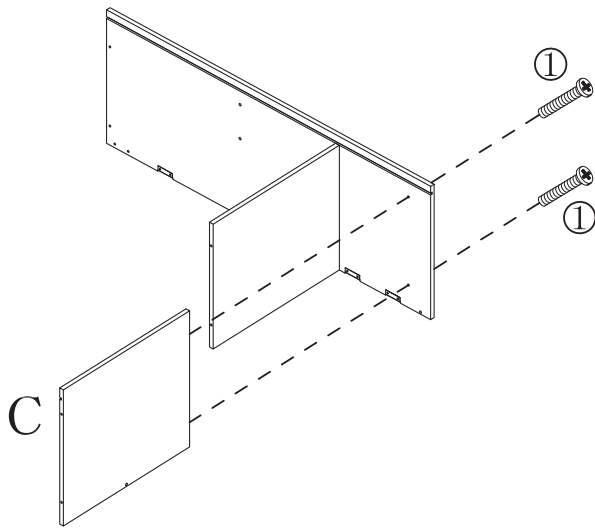
Step 2

①  2PCS
φ4×22mm




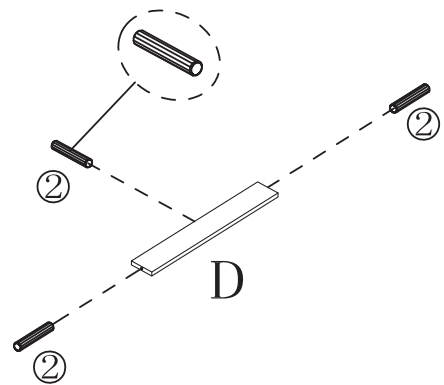
Step 3

①  2PCS
φ4×22mm

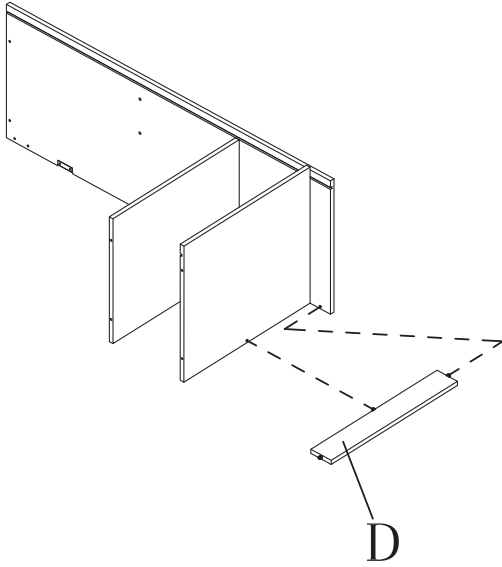


Step 4

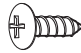
②  3PCS
φ5×30mm



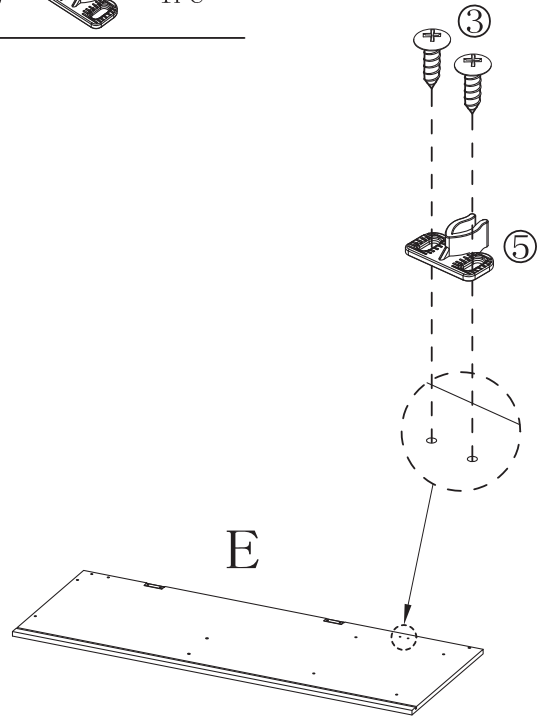
Step 5



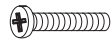
Step 6


③  2PCS
Ø3×9mm

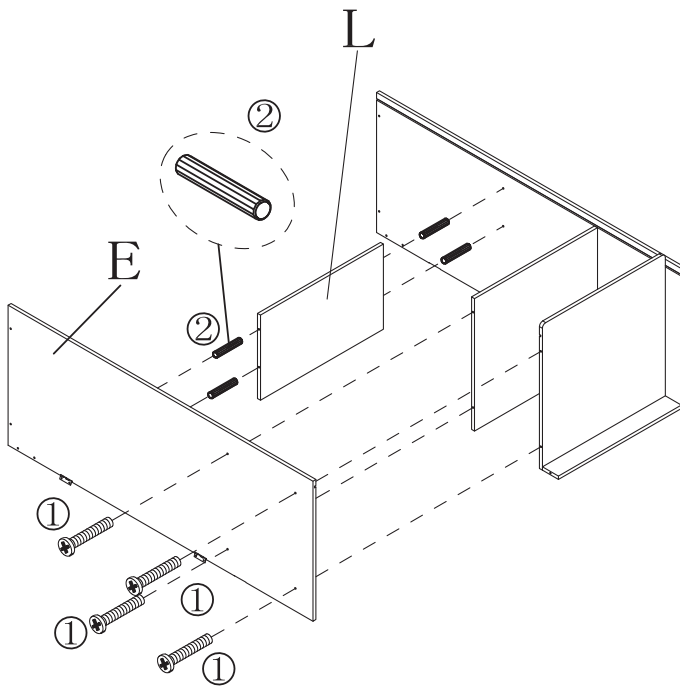
⑤  1PC



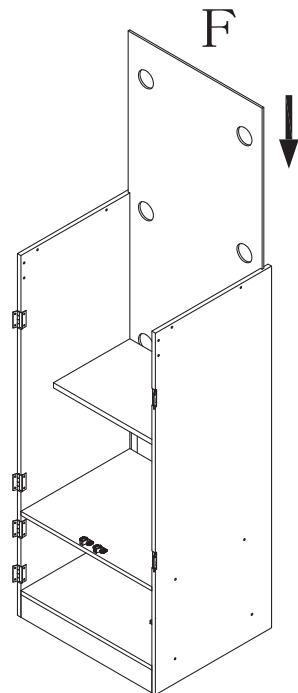
Step 7

①  4PCS
Ø4×22mm

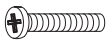
②  4PCS
Ø5×30mm

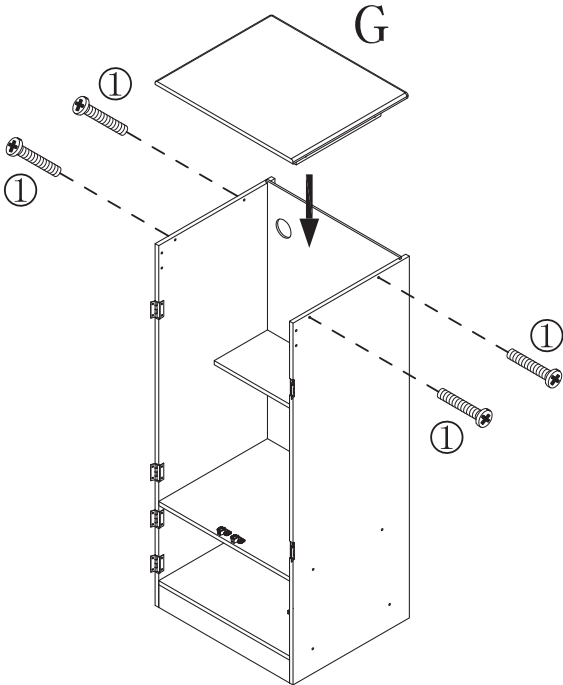


Step 8

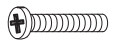


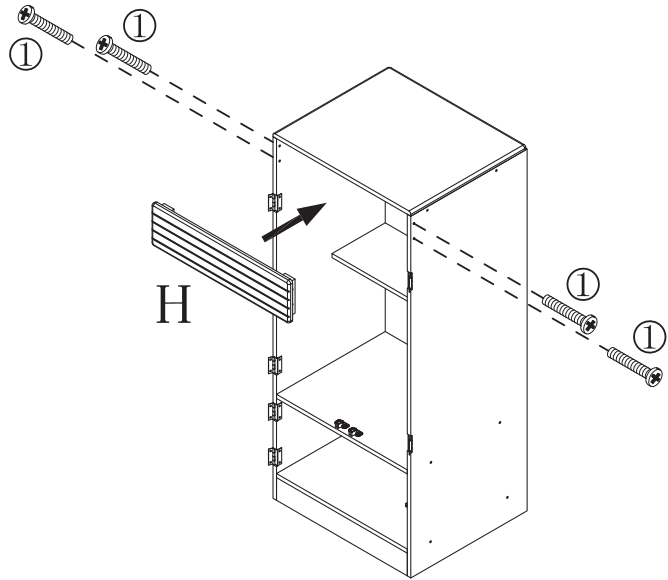
Step 9

- ①  4PCS
φ4×22mm



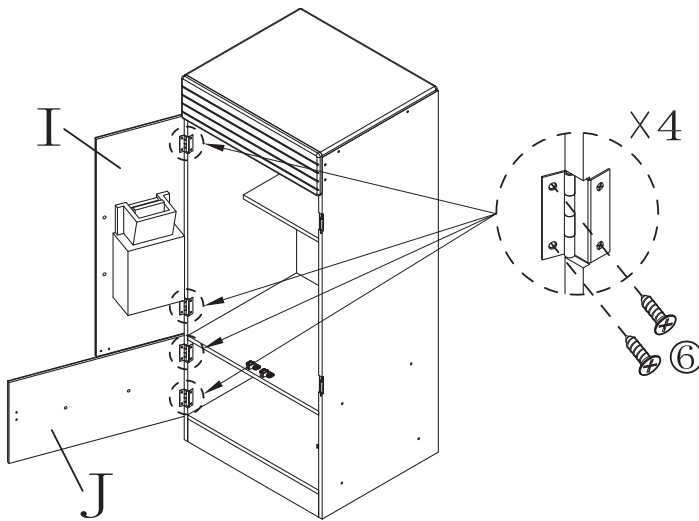
Step 10

- ①  4PCS
φ4×22mm



Step 11

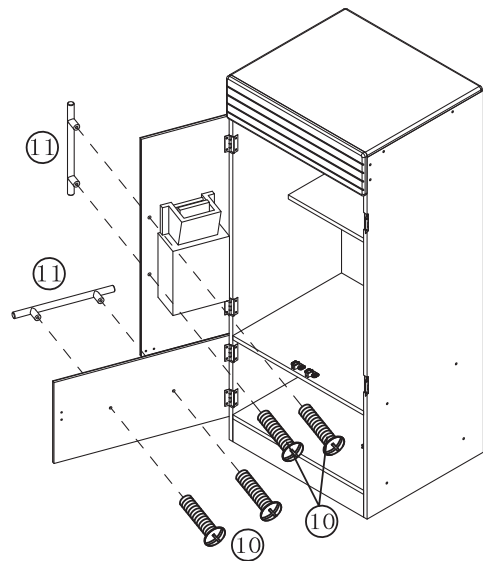
- ⑥  8PCS
φ3×8mm



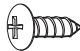
Step 12

- ⑩  4PCS
φ4×16mm

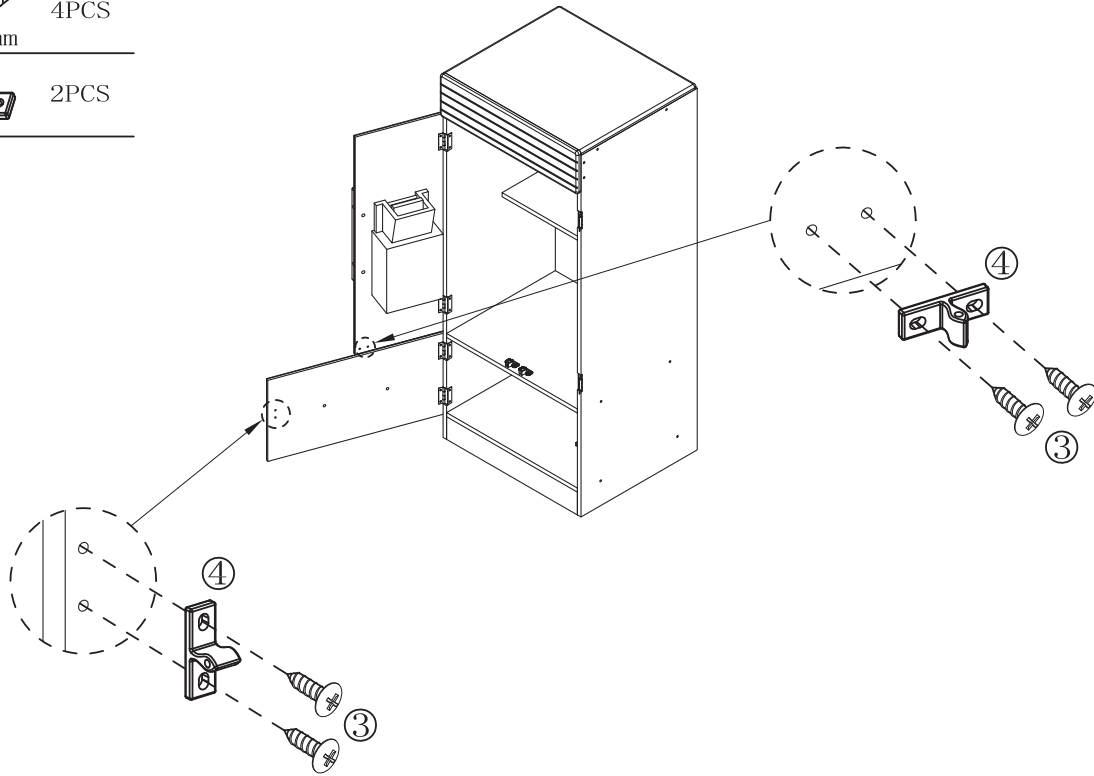
- ⑪  2PCS



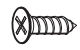
Step 13

③  4PCS
Ø3×9mm

④  2PCS

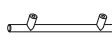


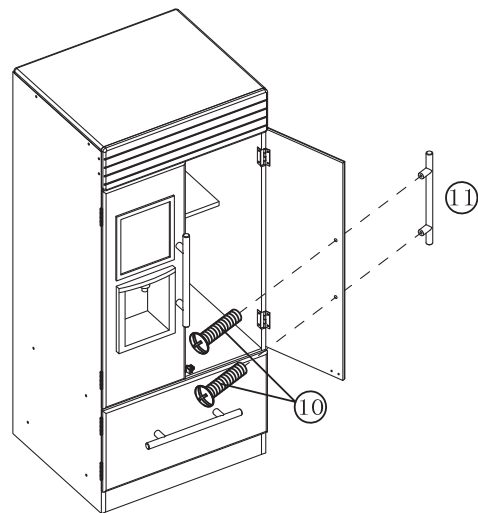
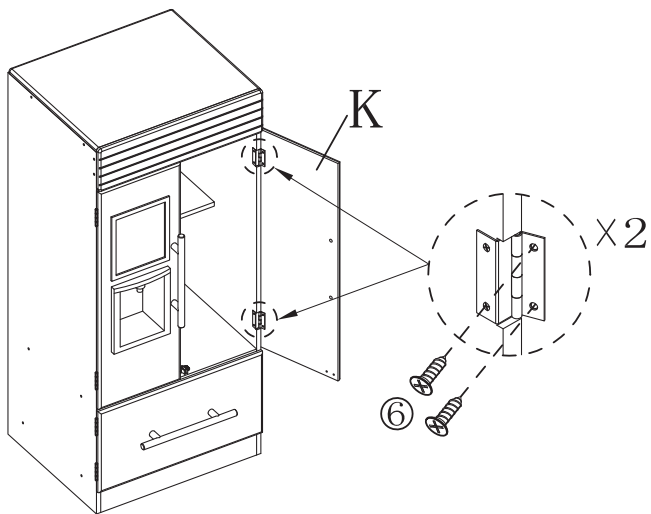
Step 14

⑥  4PCS
Ø3×8mm

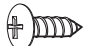
Step 15

⑩  2PCS
Ø4×16mm

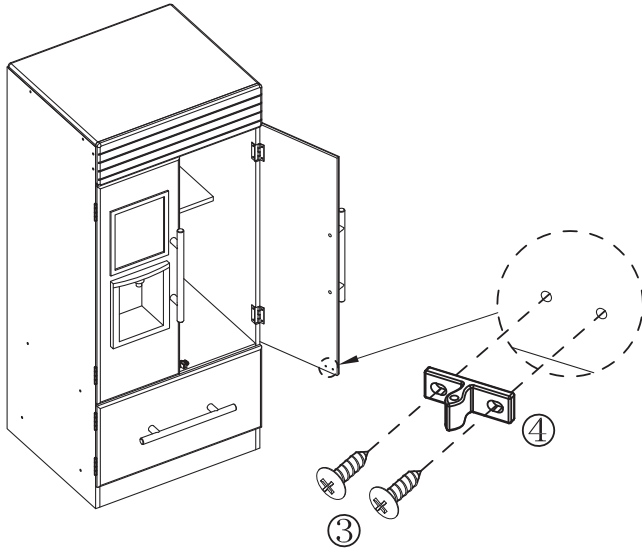
⑪  1PC



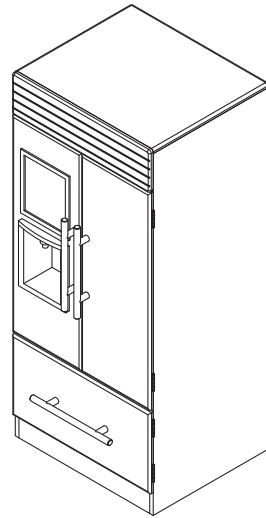
Step 16

③  2PCS
Ø3×9mm


④  1PC

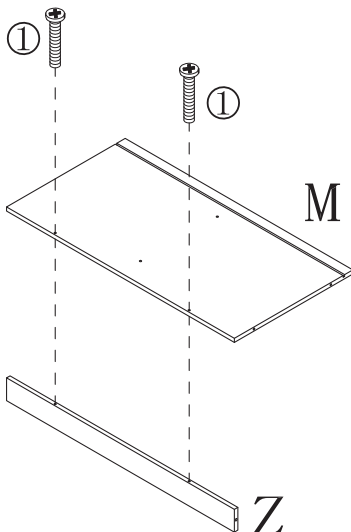


Step 17




Step 18

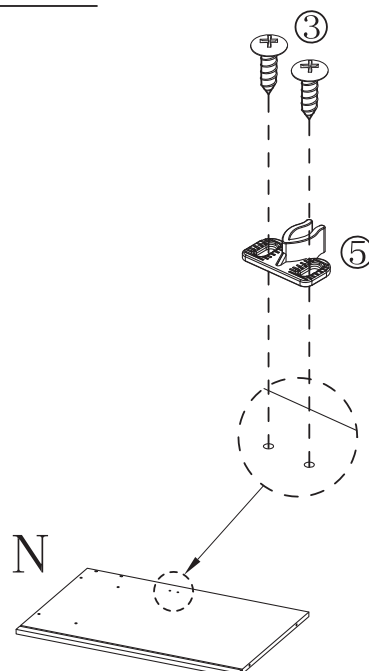
①  2PCS
Ø4×22mm



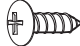
Step 19

③  2PCS
Ø3×9mm

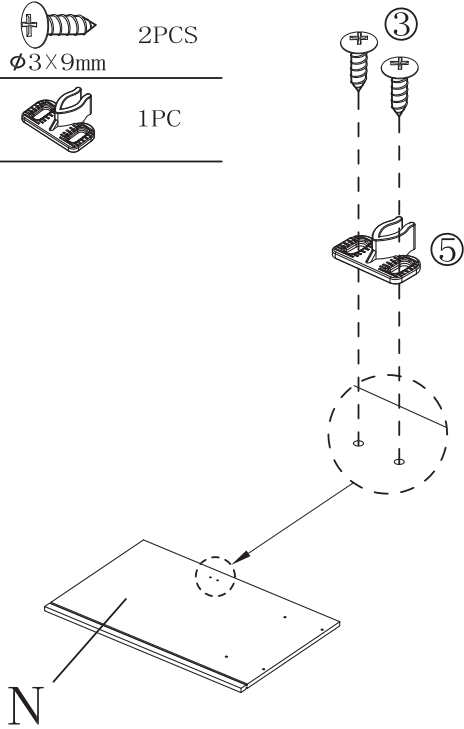
⑤  1PC




Step 20


③  2PCS
Ø3×9mm

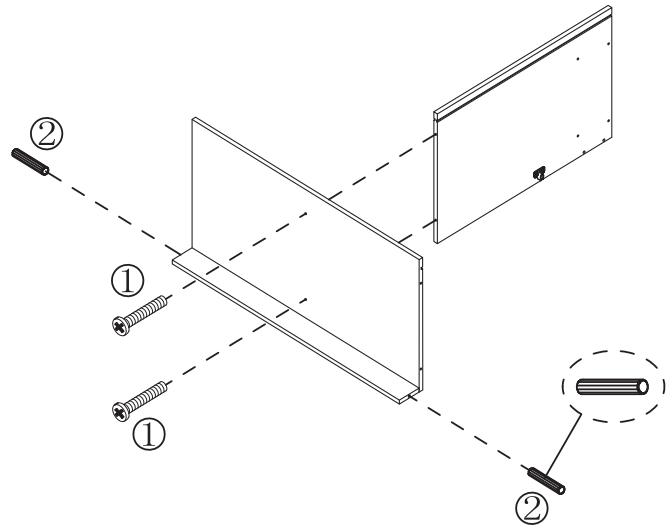
⑤  1PC




Step 21

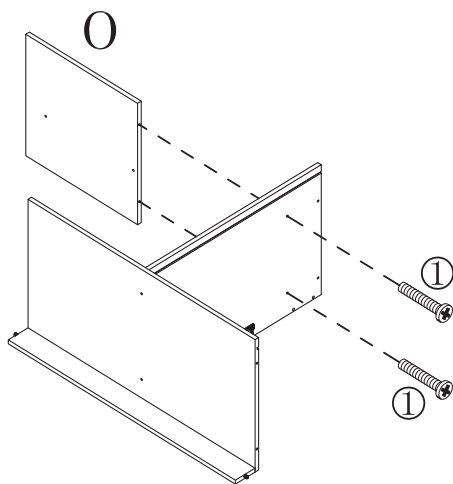
①  2PCS
Ø4×22mm

②  2PCS
Ø5×30mm

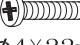


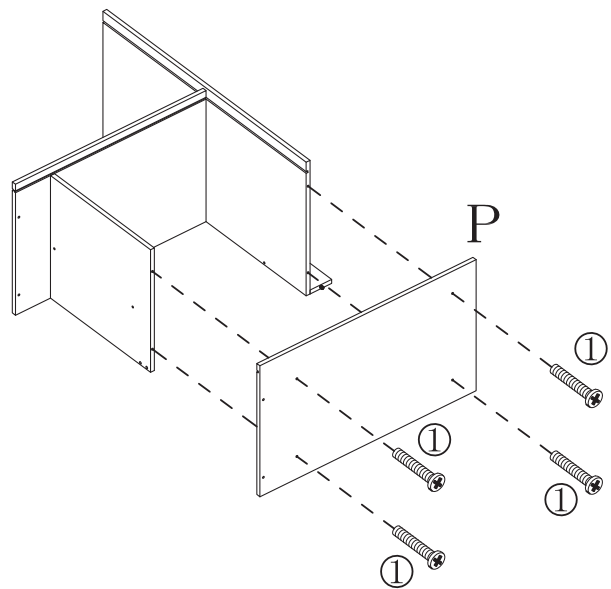
Step 22

①  2PCS
Ø4×22mm

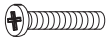


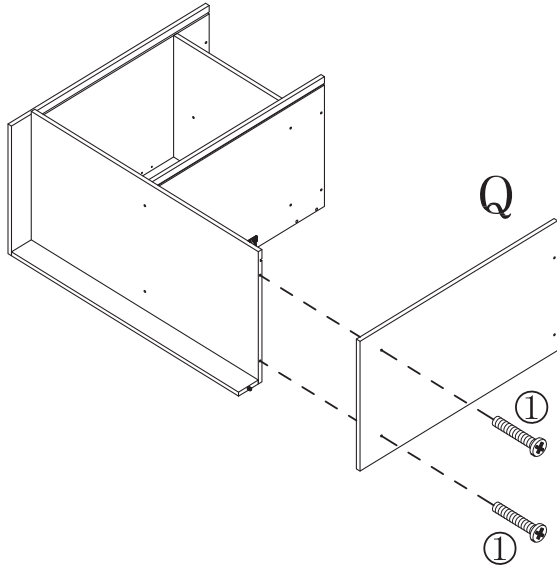
Step 23

①  4PCS
Ø4×22mm




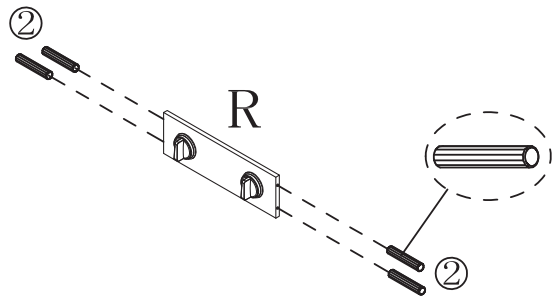
Step 24

- ①  2PCS
φ4×22mm

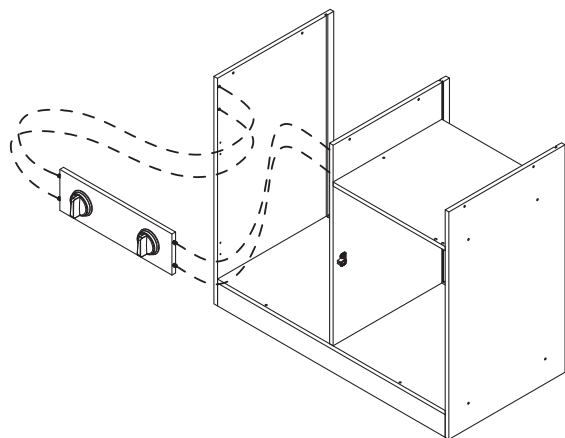


Step 25

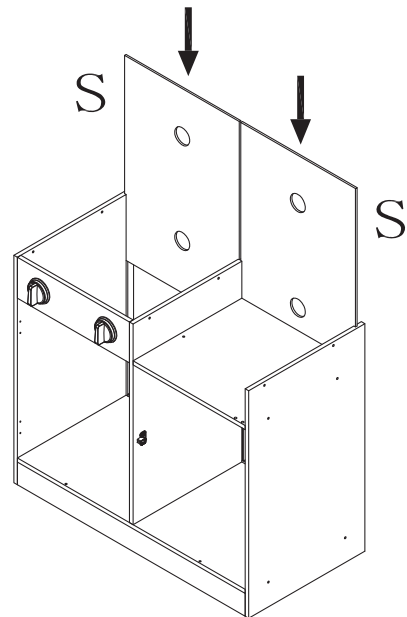
- ②  4PCS
φ5×30mm




Step 26

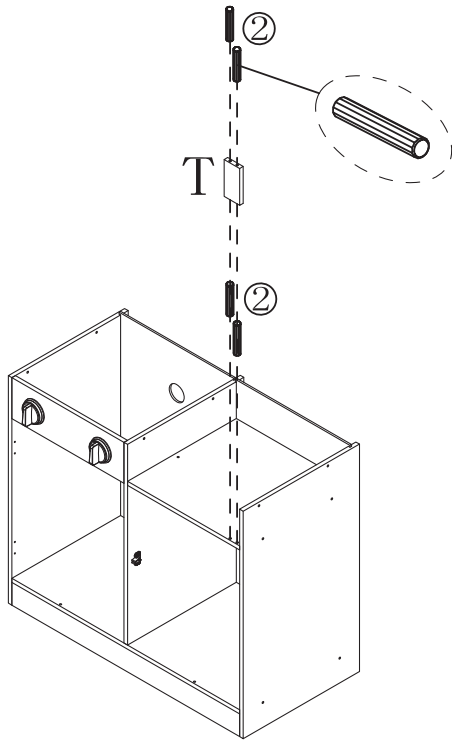


Step 27






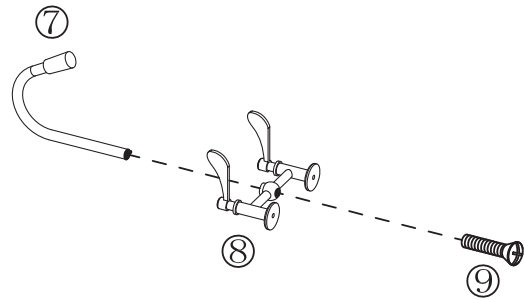
Step 28

- ②  4PCS
φ5×30mm

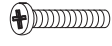


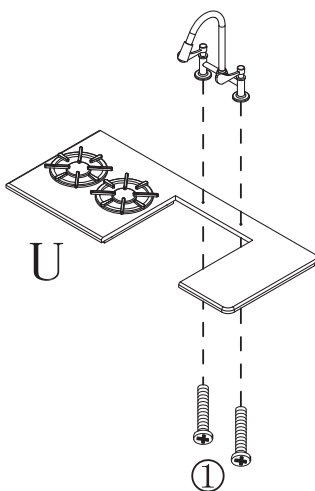
Step 29

- ⑦  1PC
⑧  1PC
⑨  1PC
M6×25mm

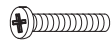


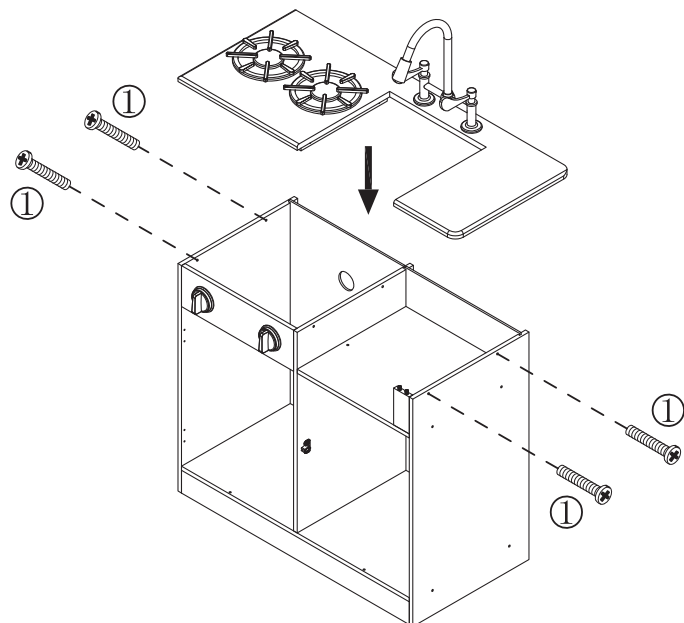
Step 30

- ①  2PCS
φ4×22mm

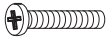


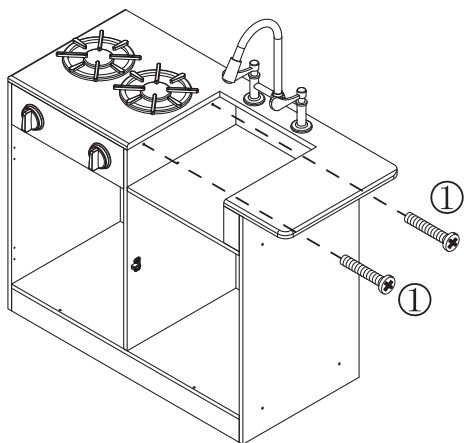
Step 31

- ①  4PCS
φ4×22mm

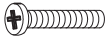


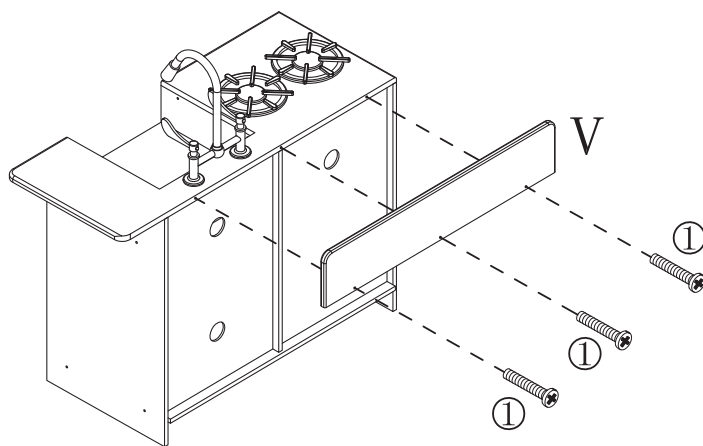
Step 32

- ①  2PCS
Ø4×22mm




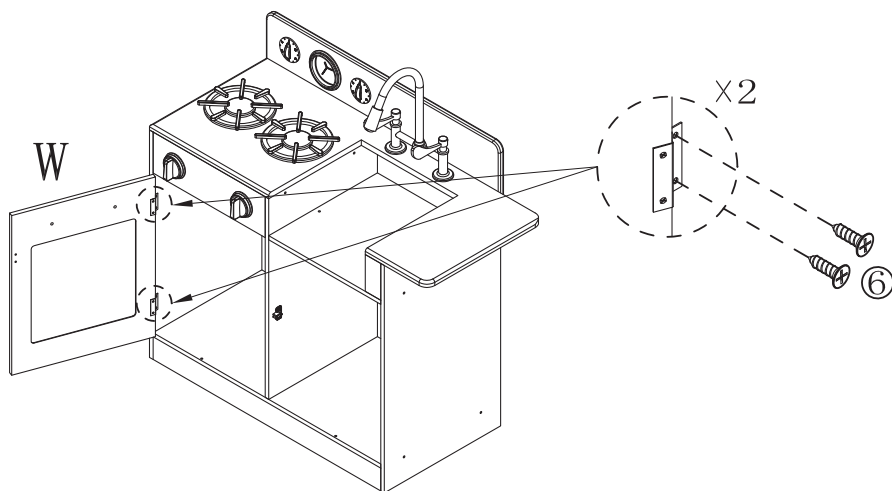
Step 33

- ①  3PCS
Ø4×22mm



Step 34

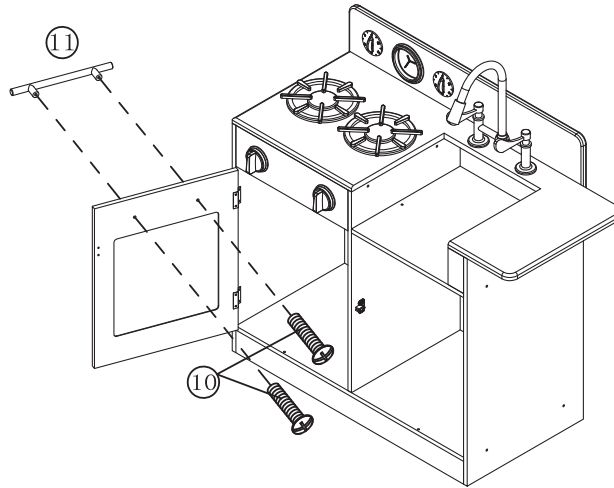
- ⑥  4PCS
Ø3×8mm




Step 35

⑩  2PCS
Ø4×16mm

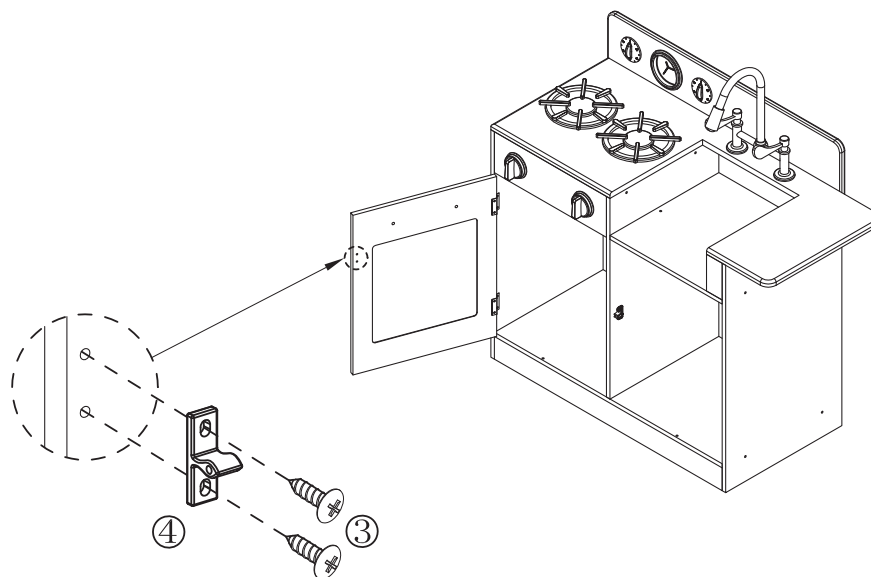
⑪  1PC



Step 36

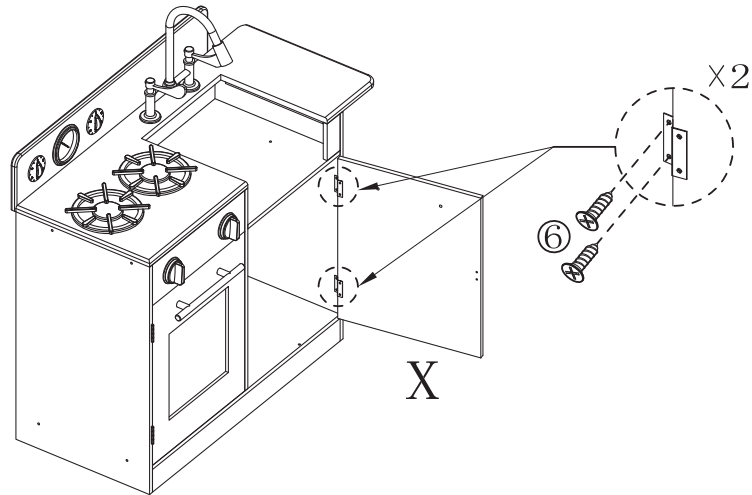
③  2PCS
Ø3×9mm

④  1PC



Step 37

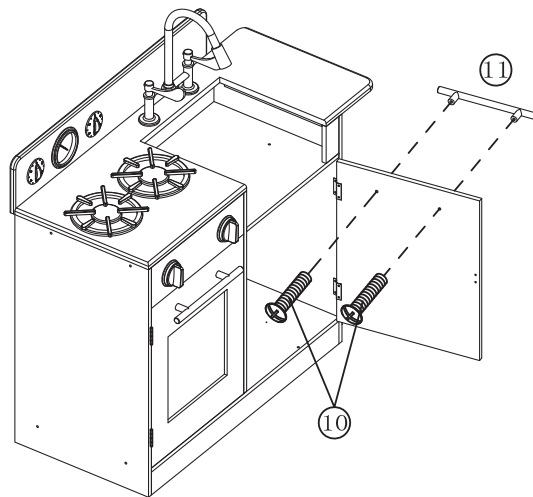
- ⑥  4PCS
Ø3×8mm



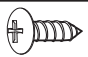
Step 38

- ⑩  2PCS
Ø4×16mm

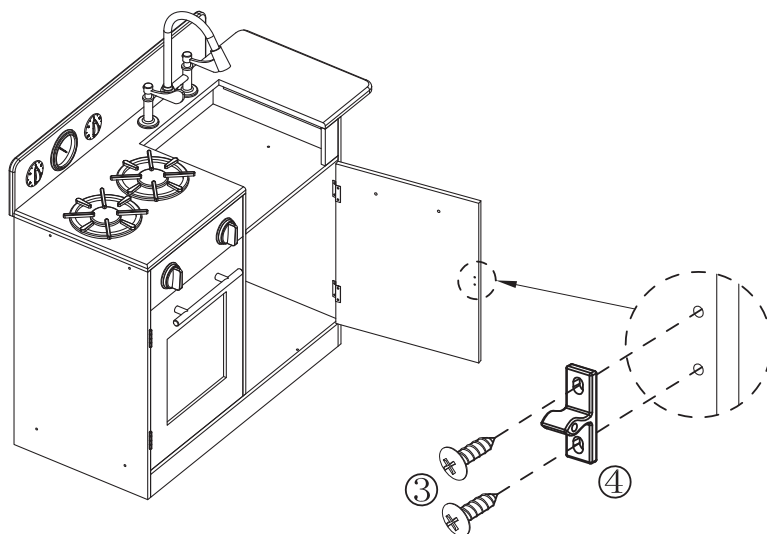
- ⑪  1PC




Step 39

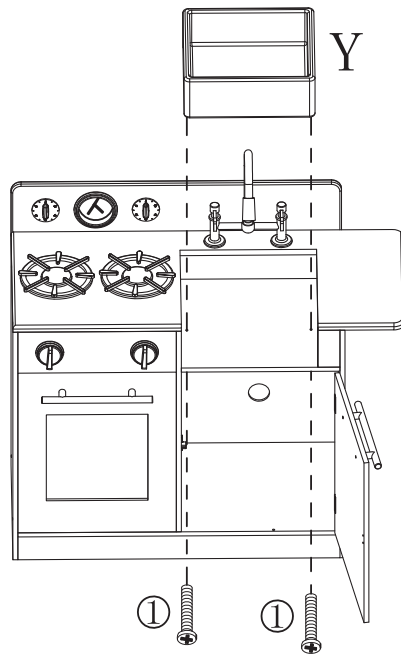
- ③  2PCS
Ø3×9mm

- ④  1PC

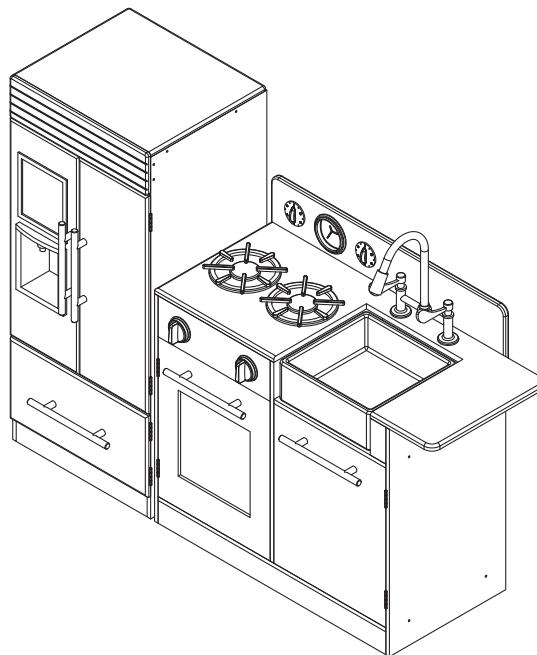


Step 40

①  2PCS
φ4×22mm



Step 41



MADE IN CHINA