

Features

- Asymmetrical oval basin.
- Innovative Supramic technology provides superior strength and ultra-thin edge profiles.
- Includes color-matched brass drain cover.
- Coordinates with other products in the Veil collection.

Material

- Fireclay with Supramic technology.

Installation

- No faucet holes; requires wall-or counter-mount faucet.
- Vessel.

Required Products/Accessories

For above-counter installation

K-7114 Pop-Up Drain

K-7124 Pop-Up Clicker Drain

Recommended Products/Accessories

K-9018 P-Trap

K-23726 Drain treatment

K-23725 Cast iron cleaner

Included Components

Additional Components:

1331521-* Drain Cover Kit



ADA

CSA B651

Codes/Standards

ASME A112.19.2/CSA B45.1

ADA

ICC/ANSI A117.1

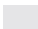



CSA B651

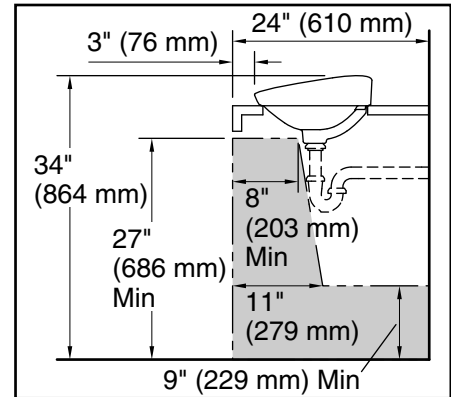
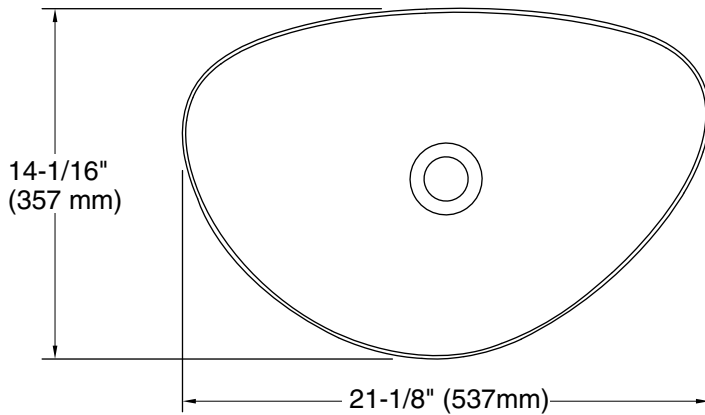
KOHLER® One-Year Limited Warranty

See website for detailed warranty information.

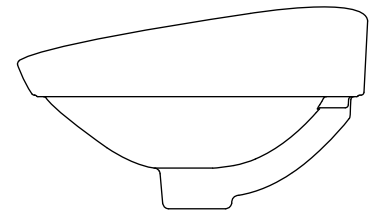
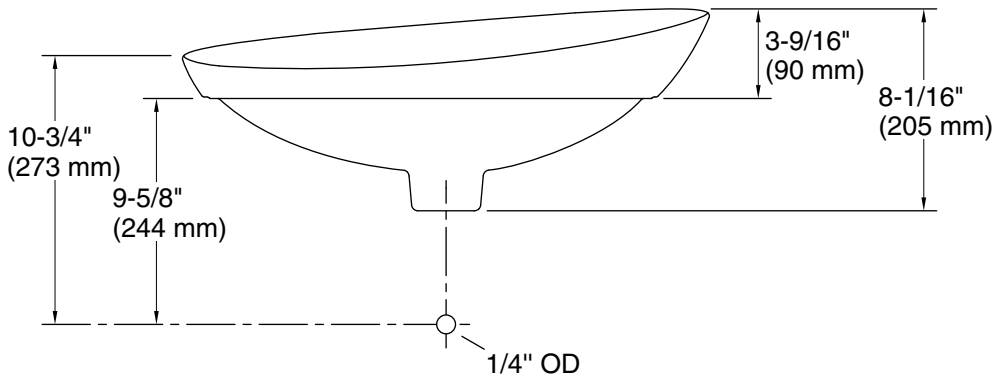
Available Colors/Finishes

Color tiles intended for reference only.

Color	Code	Description
	0	White
	96	Biscuit
	NY	Dune
	7	Black Black™



Recommended ADA Installation



Technical Information

All product dimensions are nominal.

Installation:	Vessel
Drain hole:	1-3/4" (44 mm)
Template:	1317551-7, not required, included

Notes

Install this product according to the installation instructions.

NOTICE: Countertop manufacturer or cutter must use the cut-out template provided with the product, or a current one provided by Kohler Co. (call 1-800-4-KOHLER). Kohler Co. is not responsible for cutout errors when the incorrect cut-out template is used.

ADA, CSA B651 compliant when installed to the specific requirements of these regulations.