

177114 - 514 2 192-010

POP

Adjustable Mobile Laptop Desk



Assembly Instructions

POP

Adjustable Mobile Laptop Desk



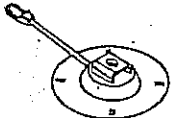

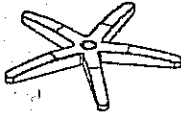


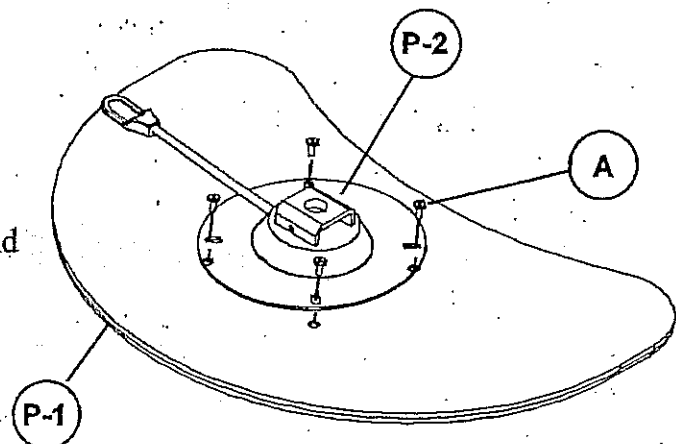
Part	Drawing	Description	Qty	Part	Drawing	Description	Qty
Hardware List							
P-1		Top Platform	1 EA	A		Flat Head Screw	4 EA
P-2		Top Support	1 EA	C		Cylinder	1 EA
P-3		Five Star Base	1 EA	E		2 Caster	2 EA
				F		Allen Wrench	1 EA

Illustration # 1

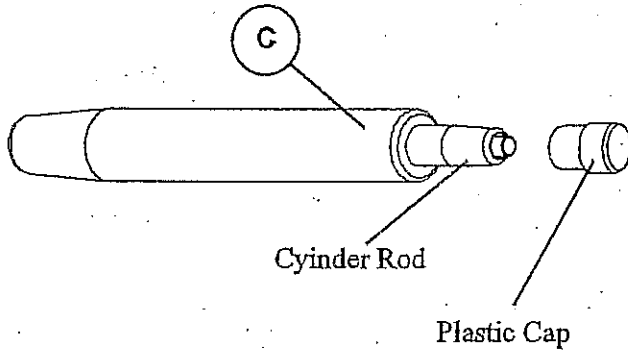
To Assemble:

1. Identify and Separate all the Parts and Hardware.
2. Place the Top Panel (P-1) with the insert nuts facing up and attach Top Support (P-2) using 4 Flat Head screws (A) as shown in the Illustration # 1. Tighten the screws using Allen wrench (F)



POP Assembly Diagram

3. Attach
Casters (E) to the Five Star Base (P-3)
as shown in Illustration # 2.
4. Remove Plastic Cap from end of
Cylinder Rod and Insert Cylinder (C) in the
Top Support (P-2) as shown in
Illustration # 3.



5. Attach Five Star Base (P-3) on the Cylinder
(C). Place the unit in Upright position.

Illustration # 2

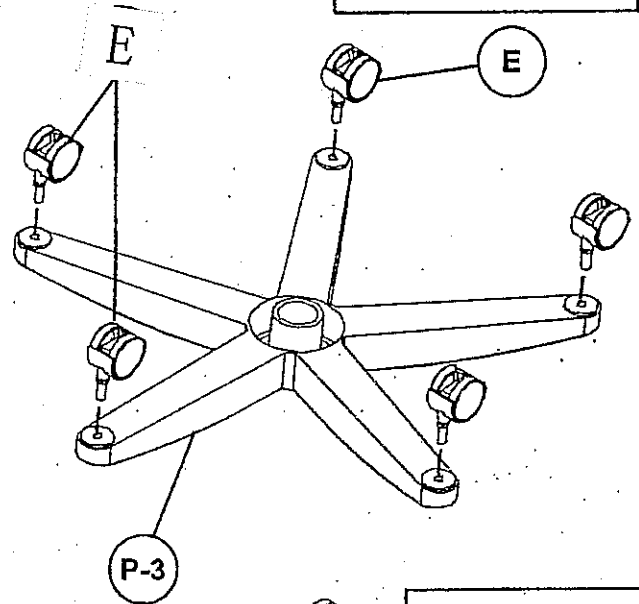
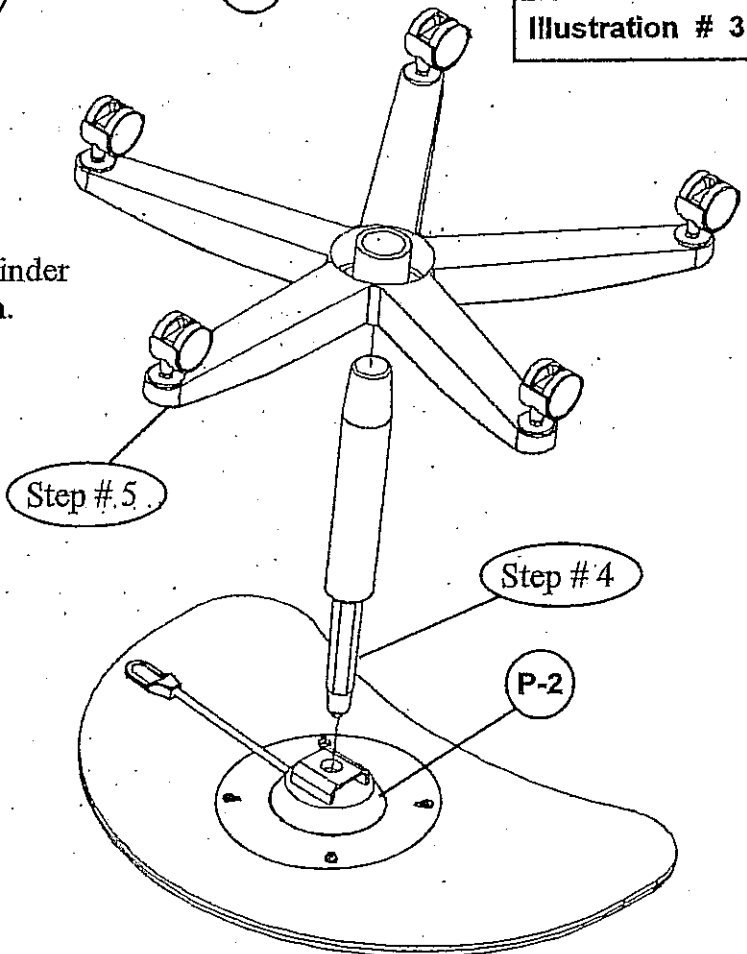


Illustration # 3



Do not use unless all screws are tight. At least every six months, check all screws to be sure they are tight. If parts are missing, broken, damaged, or worn, stop use of the product until repairs are made by your dealer using factory authorized parts.