



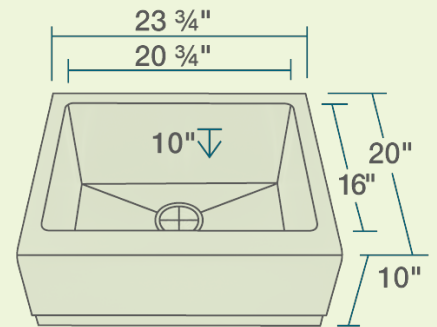
408 Single Bowl Apron Sink



Stainless Steel

Stainless Steel is the most popular choice for today's kitchens due to its clean look and durability. The beautiful brushed satin finish helps to hide small scratches that may occur over the lifetime of the sink. Our Stainless Steel sinks are made from high quality 14, 16, 18 or 20 gauge steel. Most models are made of one piece construction that ensures the sturdiest kitchen sink you will find. Our sinks are made from 300-series stainless steel and are guaranteed not to rust or stain. Each sink is fully insulated and has a sound dampening pad. Our stainless steel sinks are backed by a limited lifetime warranty.

- 23 3/4" x 20" x 10"
- Farmhouse-Style/Apron Sink Installation
- 16- or 18-Gauge Steel Available
- Certified High-Quality 304 Stainless Steel
- Offset Drain
- Thick Sound Dampener Rubber Pad
- Fully Insulated
- Cardboard Cutout Template Included
- Limited Lifetime Warranty



Accessories



*Accessories not included

16g UPC: 841412113007
 18g UPC: 841412153652

Features

Apron Installation 	27" Minimum Cabinet Size 	16 or 18 Gauge Available 	Cold-Rolled Stainless Steel 	Offset Drain 3 1/2" 	Sound Dampening
Fully Insulated 	Cutout Template 	Limited Lifetime Warranty 	One Bowl 		