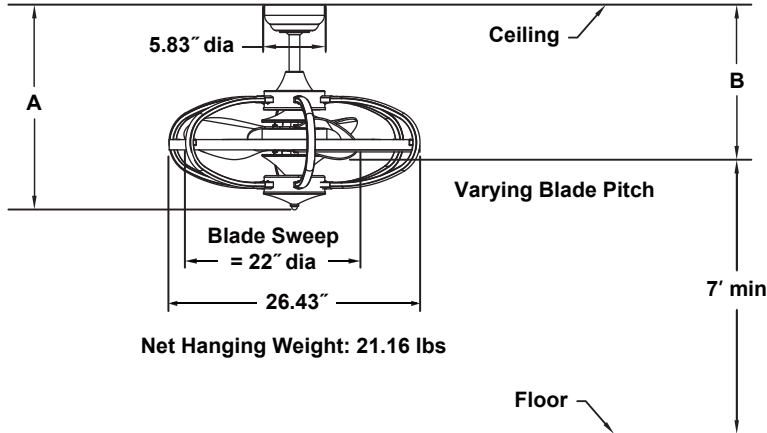


**OBVI™**

# FP3050\*\*

## 26" Ceiling Fan



	A	B
Fan w/6" downrod	19.80"	14.91"
Fan w/12" downrod	25.80"	20.91"
Fan w/18" downrod	31.80"	26.91"
Fan w/24" downrod	37.80"	32.91"
Fan w/36" downrod	49.80"	44.91"
Fan w/48" downrod	61.80"	56.91"
Fan w/60" downrod	73.80"	68.91"
Fan w/72" downrod	85.80"	80.91"

### INSTALLATION REQUIREMENTS:

Fan must be attached to a securely anchored electrical junction box capable of withstanding a load of at least 35 lbs.

### ELECTRICAL REQUIREMENTS:

Requires a grounded electrical supply line of 120 volts AC, 60 Hz, 15 amp circuit.

### MOTOR SPECS:

153 x 12 sensorless DC motor is designed for optimal performance with this fan.

### CONTROL OPTIONS:

TR205D hand-held remote control is included. Push button remote control with 16 fan speeds, fresh air, reverse, infinite light levels, fan/light timer, home away, safe exit and off button. Optional TW206D wall control is available — sold separately. Instructions are provide with each control.

### LIGHTING OPTIONS:

Six 4-watt Arm LED and  
Four 6-watt Center Band LED included.

### DOWNROD OPTIONS:

Fan comes with 1" dia. x 6" long downrod (DR1-6). Optional downrods are available in 12", 18", 24", 36", 48", 60", and 72" lengths. A downrod coupler is available for installations requiring a downrod longer than 72". Fan can be mounted on a sloped ceiling up to 19°. Most sloped ceiling installations require a standard 6" downrod or longer downrod. Optional sloped ceiling kits (SCK1-52) are available for up to 42°. Optional close-to-ceiling kit is available as well — sold separately. Call technical support for more information.

### LOCATION USE:

Fan is rated for dry location only. This fan is for room up to 100 sq ft.

### Available Finishes

BL	Black with Clear Blade
BN	Brushed Nickel with Clear Blade

### Airflow / Energy Efficiency Info (120V)

Fan Speed	Max RPM	CFM	CFM / Watts	Amps	Watts
High	382	1516	58	0.42	26
Med	356	1422	66	0.34	22
Low	210	757	109	0.12	7

### Energy Guide FTC

Power (W <sub>ave</sub> )	Total Air Delivery (CFM <sub>ave</sub> )	Estimated Yearly Energy Cost (\$)	Ceiling Fan Efficiency (CFM/W)
19	1177	5	62

### Light Bulb Information (120V) - Arm LED

Bulb Type	Watts	QTY	Lumens Amount	Color Temp	CRI
LED	4	6	2580	3000	90%

### Light Bulb Information (120V) - Center Band LED

Bulb Type	Watts	QTY	Lumens Amount	Color Temp	CRI
LED	6	4	1370	3000	90%