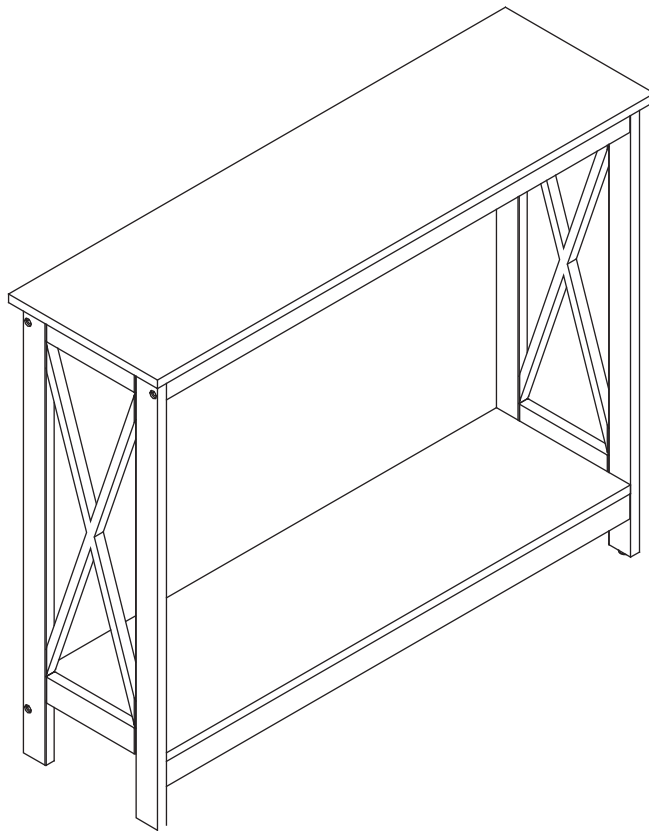


CONVENIENCE CONCEPTS

Oxford Console Table

203099/203099W/203099ES
203099GY/203099CH/203099BE



Assembly Instructions

We have designed our furniture with you, the customer in mind. Our clear, easy to follow step by step instructions will guide you through the project from start to finish.

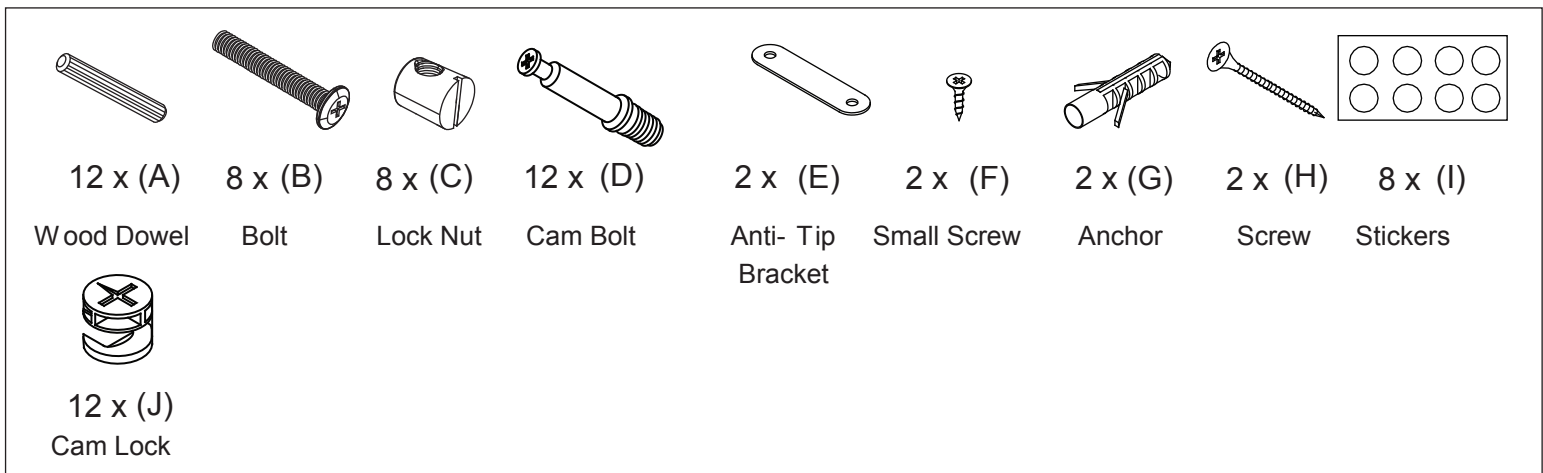
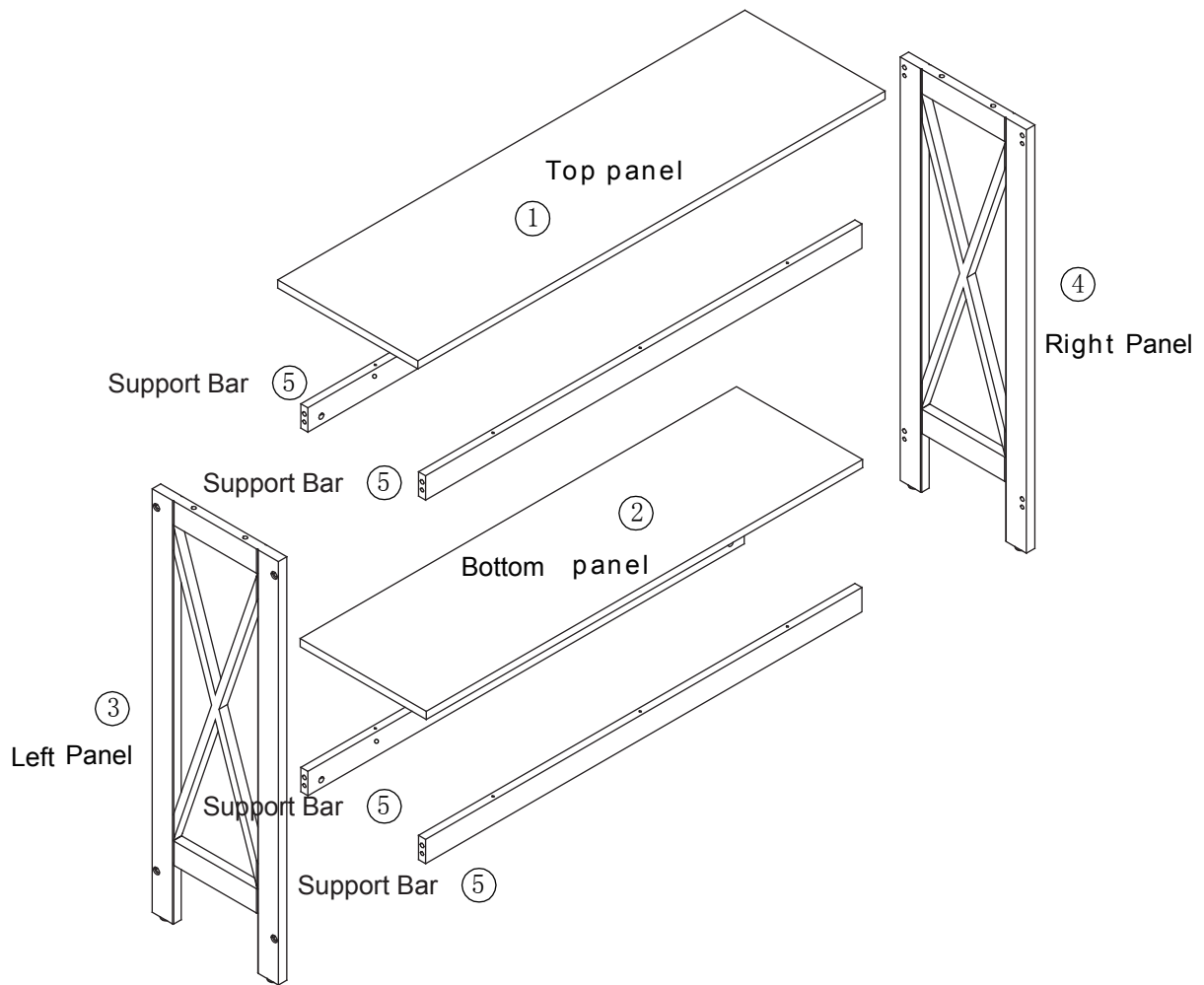
Feel confident that this will be a fun and rewarding project. The final product will be a quality piece of furniture that will go together smoothly and give years of enjoyment.



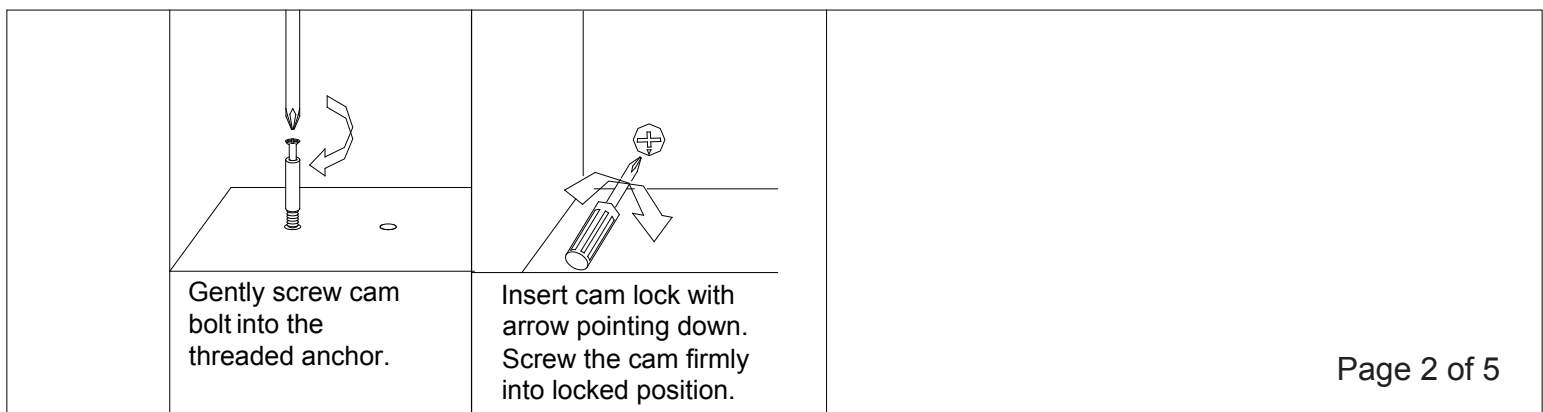
Please do not return to the store
Broken or missing Hardware?
Need help with Assembly?

If you have any questions just call 1-800-468-6447 or email us at
parts@convenience-concepts.com

Special Note: We recommend the use of a hand screwdriver to avoid the stripping of screw heads.



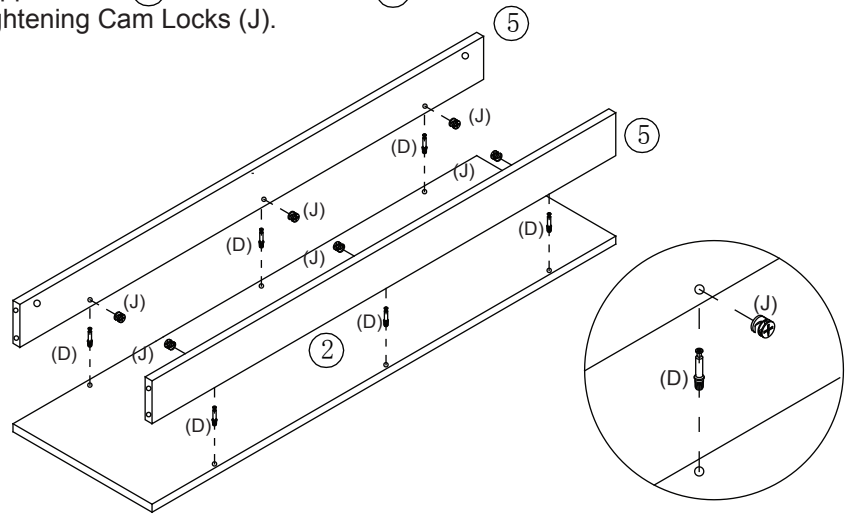
Assembling the unit with cams.



Step 1

1. Screw Cam Bolts (D) into Bottom Panel (2).
2. Insert Cam Lock (J) into 2 Support Bars (5).
3. Connect Support Bars (5) to Bottom Panel (2) by gently tightening Cam Locks (J).

6 X (D)	
6 X (J)	

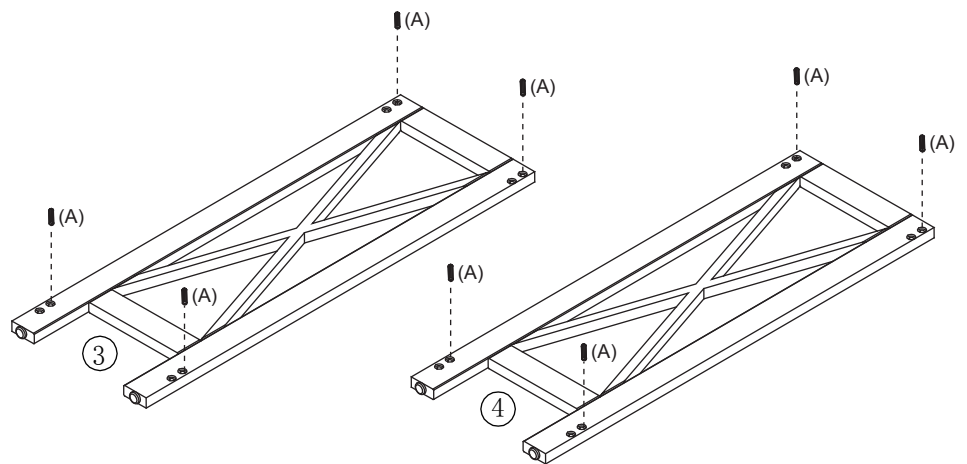


NOTE:

Assemble console on carpet or other soft surface to avoid scratching.

Step 2

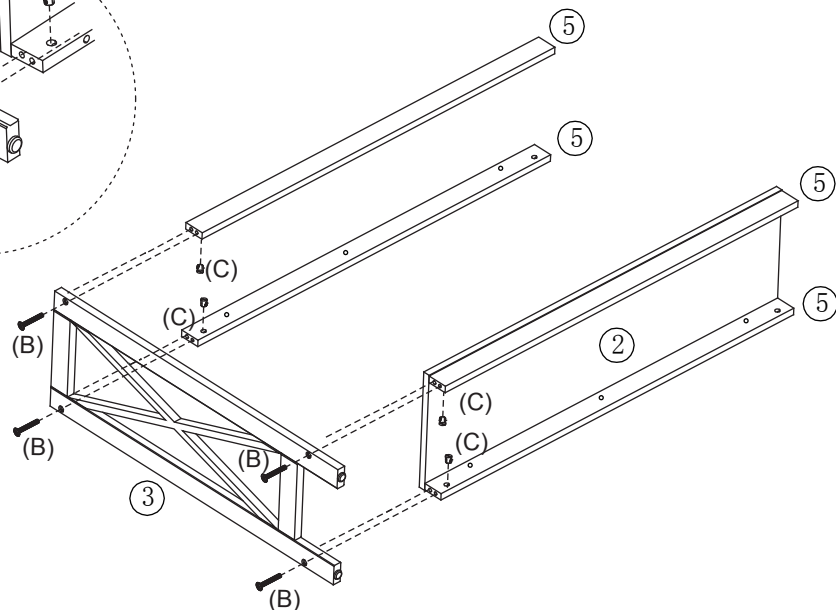
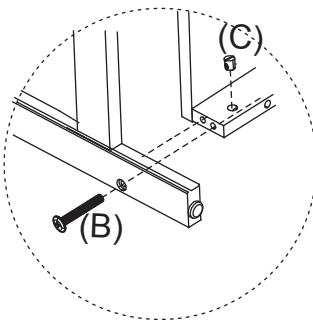
8 X (A)	
---------	--



1. Insert Wood Dowels (A) into Left Panel (3) and Right Panel (4).

Step 3

4 X (B)	
4 X (C)	



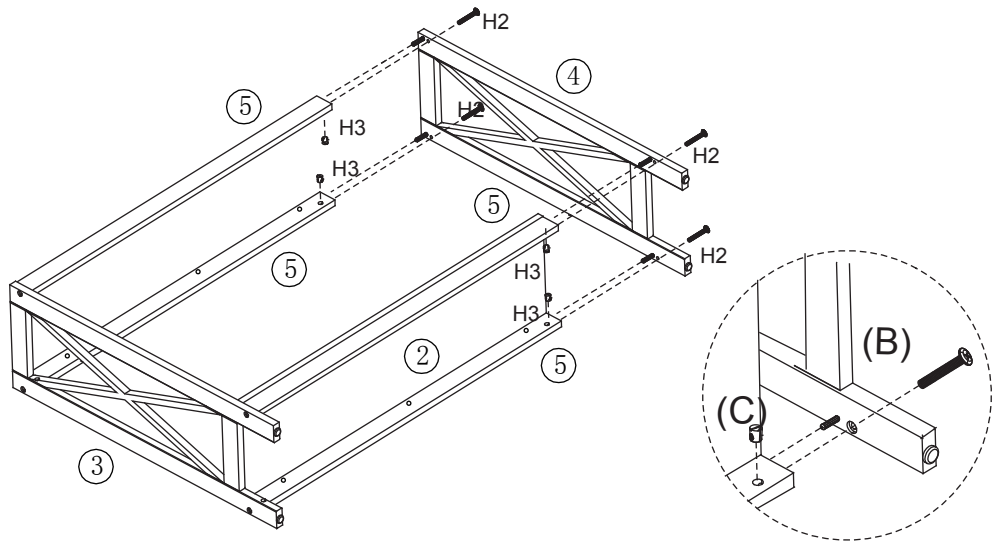
1. Carefully connect Left Panel (3) to Bottom Panel (2) and Support Bars (5) using Bolts (B) and Lock Nuts (C).

Make sure threaded holes in Lock Nut(C) are facing Bolt(B) entrance hole.

Take extra care with Support Bars (5) while they are awaiting Step 4.

Step 4

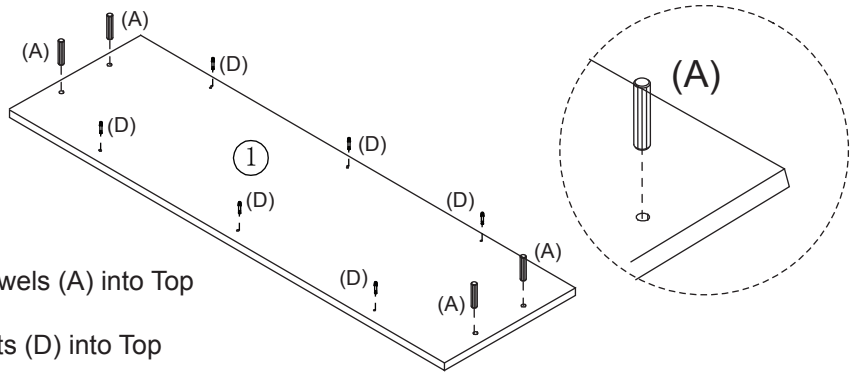
4 X (B)	
4 X (C)	



1.Repeat Step 3 using Right Panel ④ .

Step 5

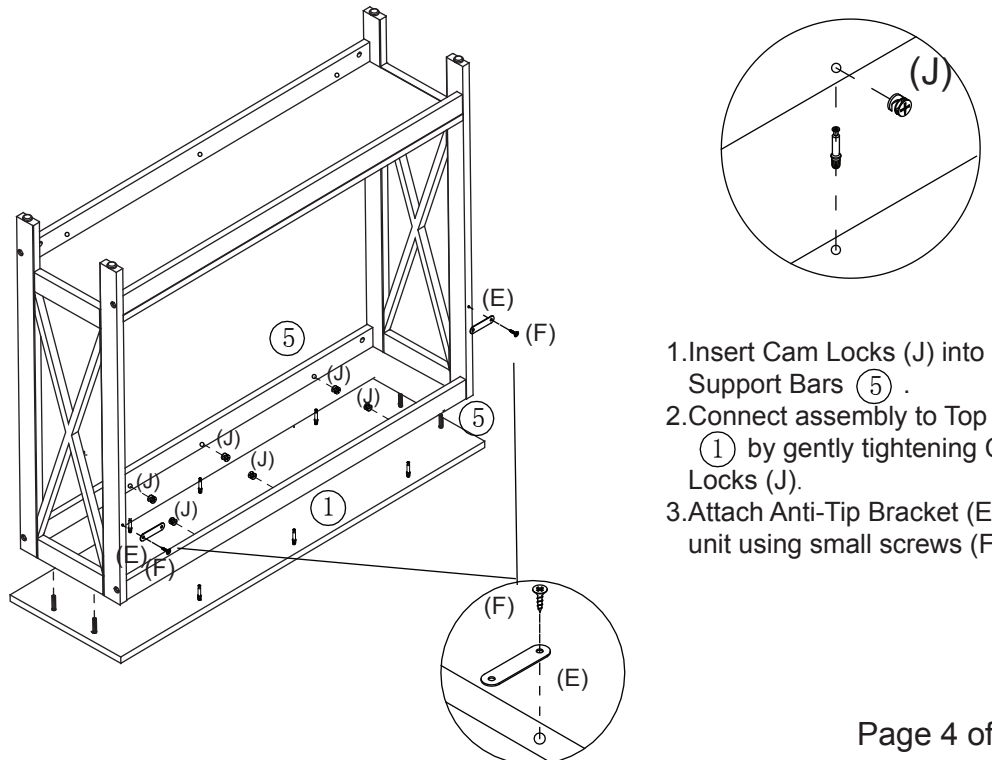
4 X (A)	
6 x (D)	



- 1.Insert Wood Dowels (A) into Top Panel ① .
- 2.Screw Cam Bolts (D) into Top Panel ① .

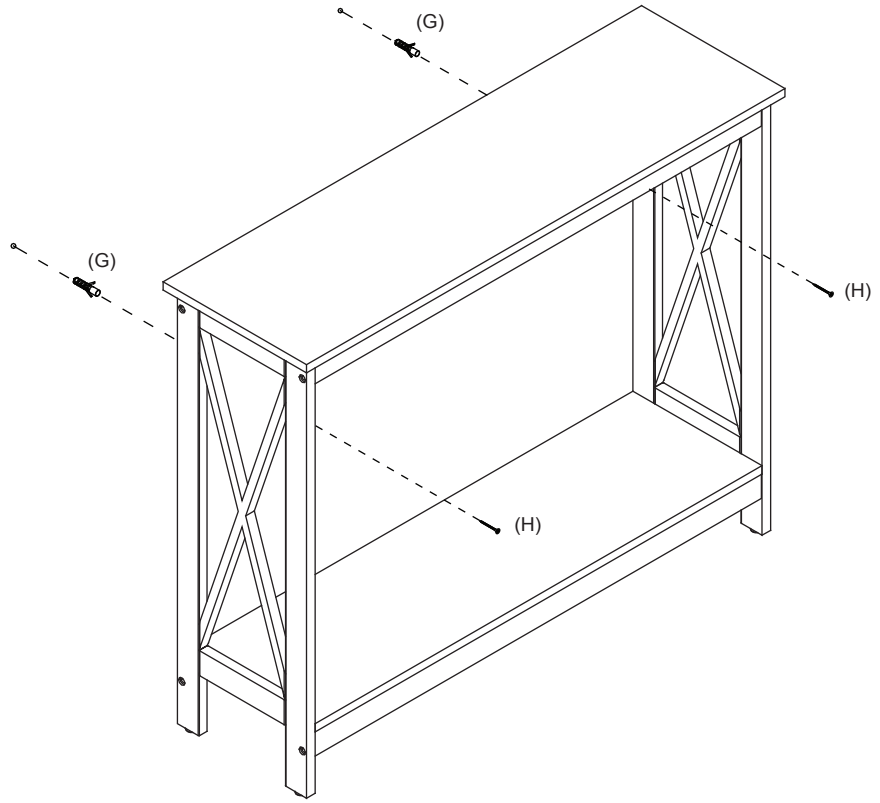
Step 6

2 x (E)	
2 x (F)	
6 x (J)	



- 1.Insert Cam Locks (J) into Support Bars ⑤ .
- 2.Connect assembly to Top Panel ① by gently tightening Cam Locks (J).
- 3.Attach Anti-Tip Bracket (E) to unit using small screws (F).

Step 7

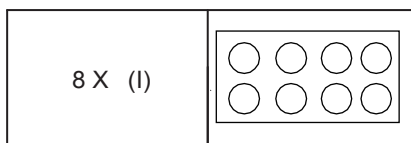


2 x (H)	
2 x (G)	

OPTIONAL BUT RECOMMENDED

1. Place unit against wall and mark Bracket Holes.
2. Drill Hole in wall slightly smaller than Anchor (G) and then tap Anchor into hole.
3. Fasten unit to wall using Screw (H) through Bracket (E).

Step 8



1. If desired, place Stickers (I) over screw holes.
2. Enjoy.

