

# ASSEMBLY AND INSTALLATION INSTRUCTIONS

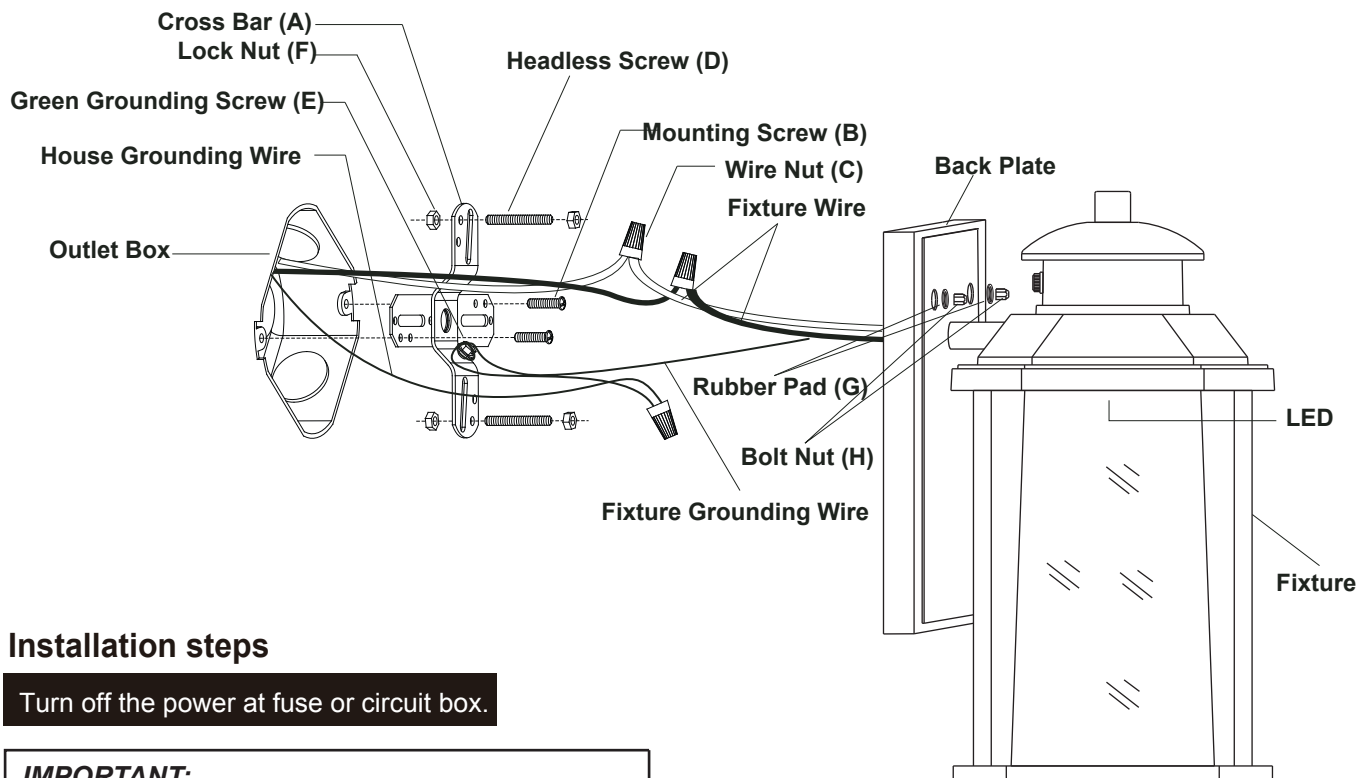
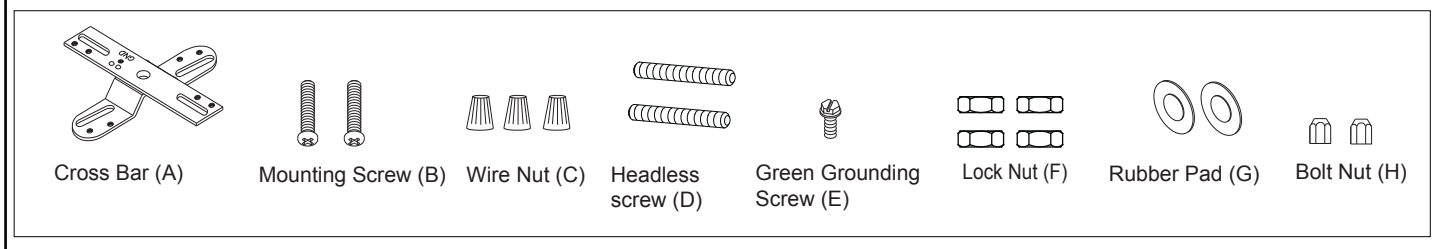
T0310

**WARNING:** TO AVOID RISK OF ELECTRICAL SHOCK, BE SURE TO SHUT OFF POWER BEFORE INSTALLING OR SERVICING THIS FIXTURE.

NOTE: 1. Before installing, consult local electrical codes for wiring and grounding requirements.  
2. READ AND SAVE THESE INSTRUCTIONS.

**Warning:** LED electronics can be damaged by electro static discharge (ESD) shock. Before installation, discharge yourself by touching a grounded bare metal surface to remove this hazard. To avoid damage, do not touch the LED module.

## Hardware Package (included):



## Installation steps

Turn off the power at fuse or circuit box.

### IMPORTANT:

*The sensor has an excellent photocell function to enable the light to turn on at dusk and off at dawn automatically.*

1. Attach the headless screws to the cross bar, then secure it with lock nuts.
2. Attach the cross bar to the outlet box by using two mounting screws.

3. Pull out the outlet wires and house grounding wire from the outlet box. Make wire connections using the wire nuts:
  - The black wire from the fixture to the black wire from the power source.
  - The white wire from the fixture to the white wire from the power source.
  - Attach the fixture grounding wire to the cross bar with the green grounding screw. Then connect it to the house grounding wire with a wire nut.
 Carefully put the wires back into the outlet box.

4. Attach the fixture to the cross bar by inserting the headless screws, then secure it with the rubber pads and bolt nuts.

**CAUTION: With silicone caulking compound, caulk completely around where the back plate meets with the wall surface to prevent water from seeping into the outlet box.**

Turn on the power at fuse or circuit box.

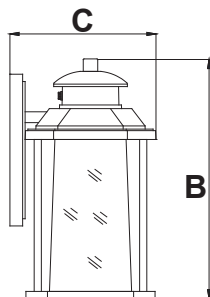
The following parts are available for re-order if damaged or missing.

**Spare Parts List:**

Cross Bar (A)    Mounting Screw (B)    Wire Nut (C)    Headless screw (D)    Green Grounding Screw (E)    Lock Nut (F)

Rubber Pad (G)    Bolt Nut (H)

Mounting Hardware 5625MM(1 SET)



**T0310**  
**A: 8-3/4"**  
**B: 16-1/4"**  
**C: 10"**

