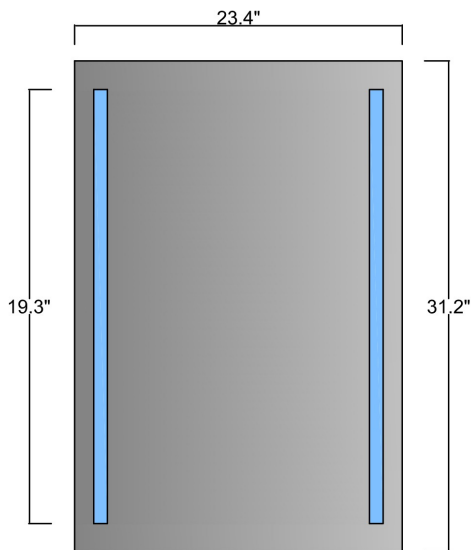


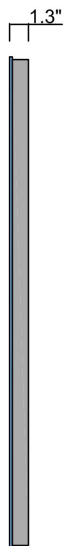
# Product Specs Sheets

T5-2 Ref. 45712

FRONT VIEW



SIDE VIEW

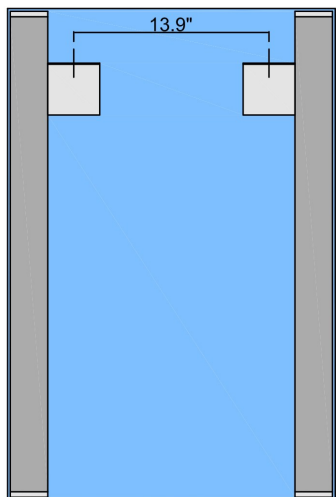


**DESCRIPTION**

T5-2 wall lighted mirrors with front side lights are realized with high quality glass, thickness 0.2 inch., ecological production without lead and copper. Structure anodized aluminium. Fortimo PHILIPS LED guarantee the best light effect lasting 50.000 hours. The kind of color of light we have is 4000K that is the natural light effect. LED cannot be changed directly. Energy class: A>A++ 110V- Class III, IP44 CE

L45712  
 SHADE COLOR Frosted  
 BODY FINISH : Aluminium anodized  
 LED Fortimo PHILIPS 4000K 2x9.8 WATT  
 WATTAGE . 19.6 W  
 LUMEN/W: 132 Lm/W  
 DIMENSIONS: 19.3"H x 23.4" W x 1.3" D

BACK VIEW



Collection  
T5-2

Model |  
**T5-2 Ref 45712**  
 T5-2 Ref 45720  
 T5-2 Ref 45737  
 T5-2 Ref 45748

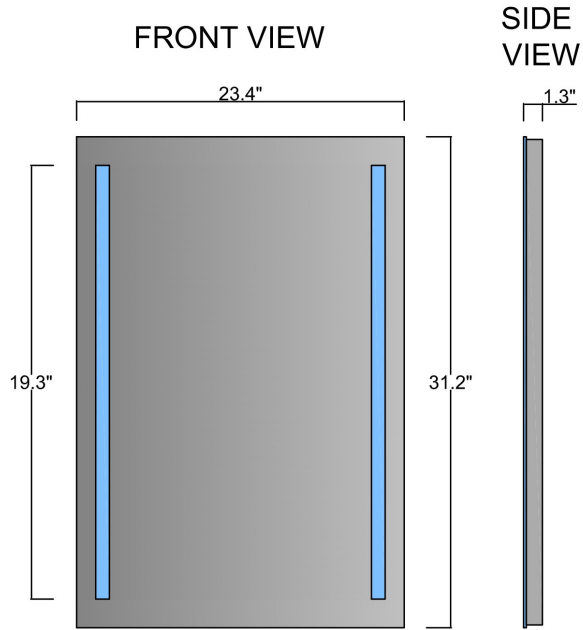
Dimensions Inch



1051 Lea Drive - Collegeville, PA 19426  
 Tel. 215 513 9400 - Fax 610 831 0215  
[www.ws bathcollections.com](http://www.ws bathcollections.com) - [info@ws bathcollections.com](mailto:info@ws bathcollections.com)

# Product Specs Sheets

T5-2 Ref. 45720

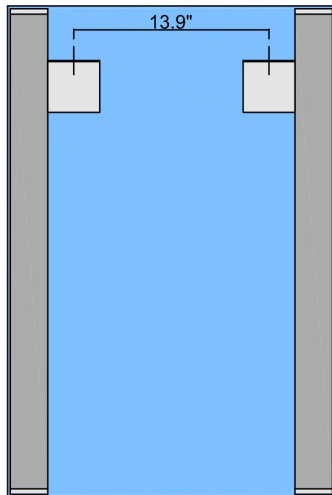


**DESCRIPTION**

T5-2 wall lighted mirrors with front side lights are realized with high quality glass, thickness 0.2 inch., ecological production without lead and copper. Structure anodized aluminium. Fortimo PHILIPS LED guarantee the best light effect lasting 50.000 hours. The kind of color of light we have is 4000K that is the natural light effect. LED cannot be changed directly.  
 Energy class: A>A++  
 110V- Class III, IP44 CE

L45712  
 SHADE COLOR Frosted  
 BODY FINISH : Aluminium anodized  
 LED Fortimo PHILIPS 4000K 2x9.8 WATT  
 WATTAGE , 19.6 W  
 LUMEN/W: 132 Lm/W  
 DIMENSIONS: 19.3"H x 23.4" W x 1.3" D

**BACK VIEW**



Collection  
T5

Model |  
 T5-2 Ref 45712  
**T5-2 Ref 45720**  
 T5-2 Ref 45737  
 T5-2 Ref 45748

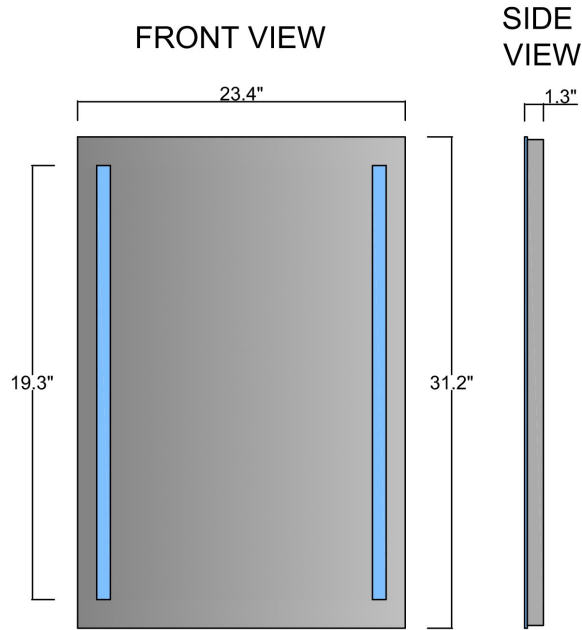
Dimensions Inch



1051 Lea Drive - Collegeville, PA 19426  
 Tel. 215 513 9400 - Fax 610 831 0215  
[www.wsbathcollections.com](http://www.wsbathcollections.com) - [info@wsbathcollections.com](mailto:info@wsbathcollections.com)

# Product Specs Sheets

T5-2 Ref. 45737

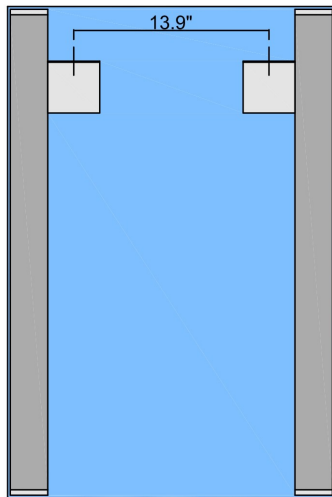


**DESCRIPTION**

T5-2 wall lighted mirrors with front side lights are realized with high quality glass, thickness 0.2 inch., ecological production without lead and copper. Structure anodized aluminium. Fortimo PHILIPS LED guarantee the best light effect lasting 50.000 hours. The kind of color of light we have is 4000K that is the natural light effect. LED cannot be changed directly. Energy class: A>A++ 110V- Class III, IP44 CE

L45712  
 SHADE COLOR Frosted  
 BODY FINISH : Aluminium anodized  
 LED Fortimo PHILIPS 4000K 2x9.8 WATT  
 WATTAGE . 19.6 W  
 LUMEN/W: 132 Lm/W  
 DIMENSIONS: 19.3"H x 23.4" W x 1.3" D

**BACK VIEW**



Collection  
T5

Model |  
 T5-2 Ref 45712  
 T5-2 Ref 45720  
**T5-2 Ref 45737**  
 T5-2 Ref 45748

Dimensions Inch

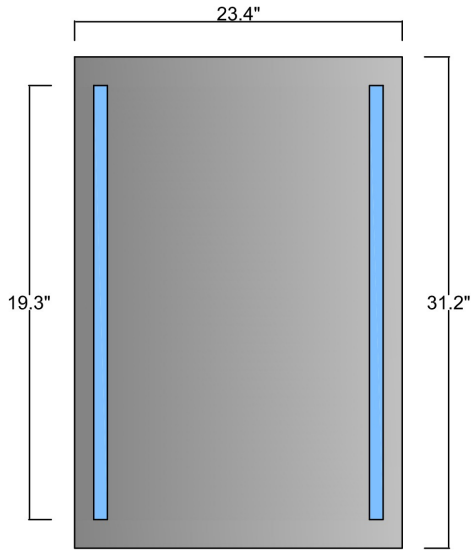


1051 Lea Drive - Collegeville, PA 19426  
 Tel. 215 513 9400 - Fax 610 831 0215  
[www.ws bathcollections.com](http://www.ws bathcollections.com) - [info@ws bathcollections.com](mailto:info@ws bathcollections.com)

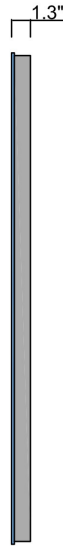
# Product Specs Sheets

T5-2 Ref. 45748

FRONT VIEW



SIDE VIEW

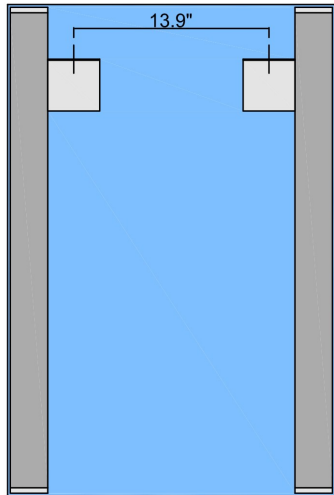


**DESCRIPTION**

T5-2 wall lighted mirrors with front side lights are realized with high quality glass, thickness 0.2 inch., ecological production without lead and copper. Structure anodized aluminium. Fortimo PHILIPS LED guarantee the best light effect lasting 50.000 hours. The kind of color of light we have is 4000K that is the natural light effect. LED cannot be changed directly. Energy class: A>A++ 110V- Class III, IP44 CE

L45712  
 SHADE COLOR Frosted  
 BODY FINISH : Aluminium anodized  
 LED Fortimo PHILIPS 4000K 2x9.8 WATT  
 WATTAGE . 19.6 W  
 LUMEN/W: 132 Lm/W  
 DIMENSIONS: 19.3"H x 23.4" W x 1.3" D

BACK VIEW



Collection  
T5

Model |  
**T5-2 Ref 45712**  
**T5-2 Ref 45720**  
**T5-2 Ref 45737**  
**T5-2 Ref 45748**

Dimensions Inch



1051 Lea Drive - Collegeville, PA 19426  
 Tel. 215 513 9400 - Fax 610 831 0215  
[www.ws bathcollections.com](http://www.ws bathcollections.com) - [info@ws bathcollections.com](mailto:info@ws bathcollections.com)