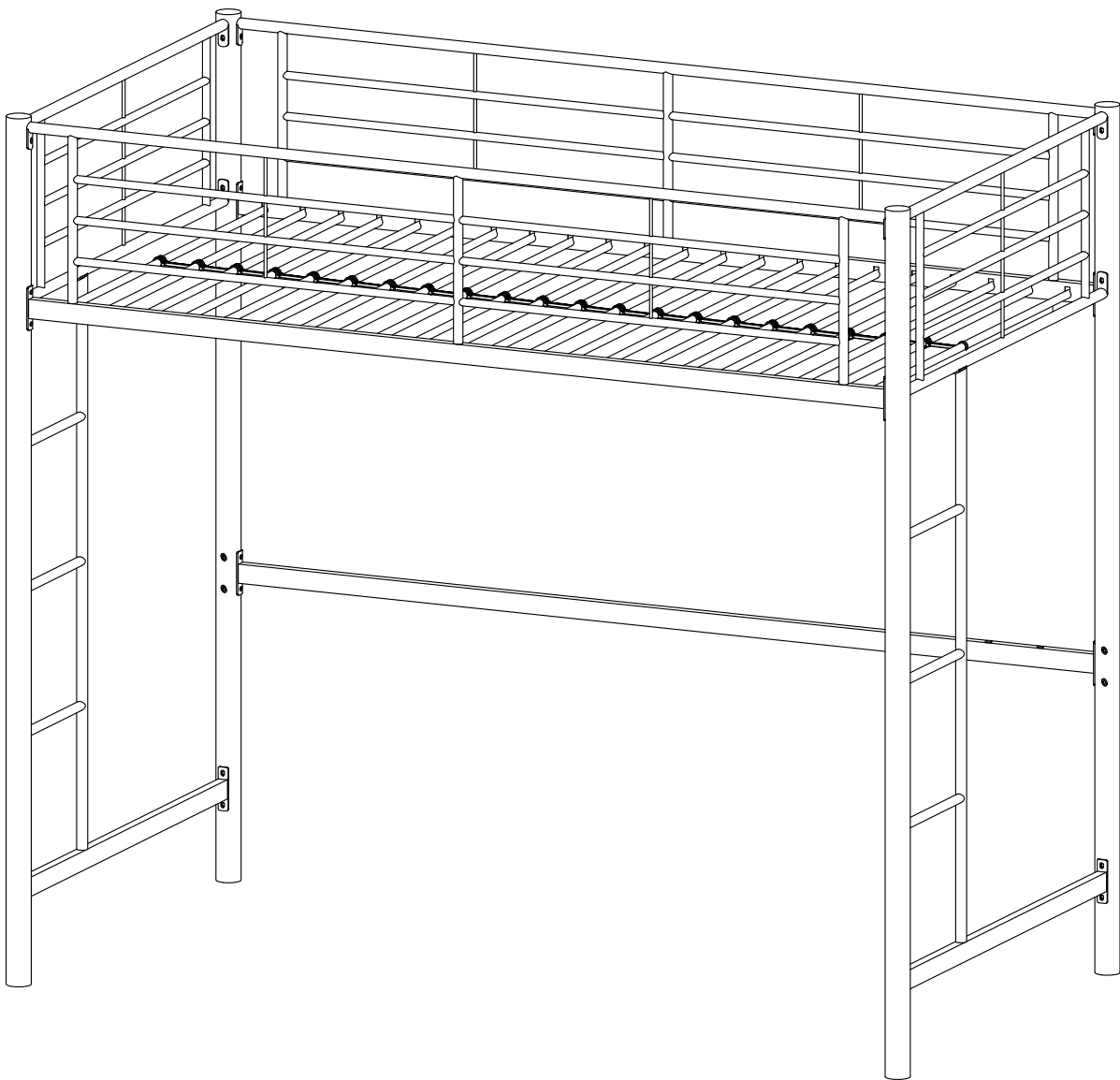


W Walker[®]
Edison
furniture company

ITEM # : BTOL
Assembly Instructions



Please visit our website for the most current instructions, assembly tips, report damage, or request parts. www.walkeredison.com

Revised 03/2017



Instruction Manual

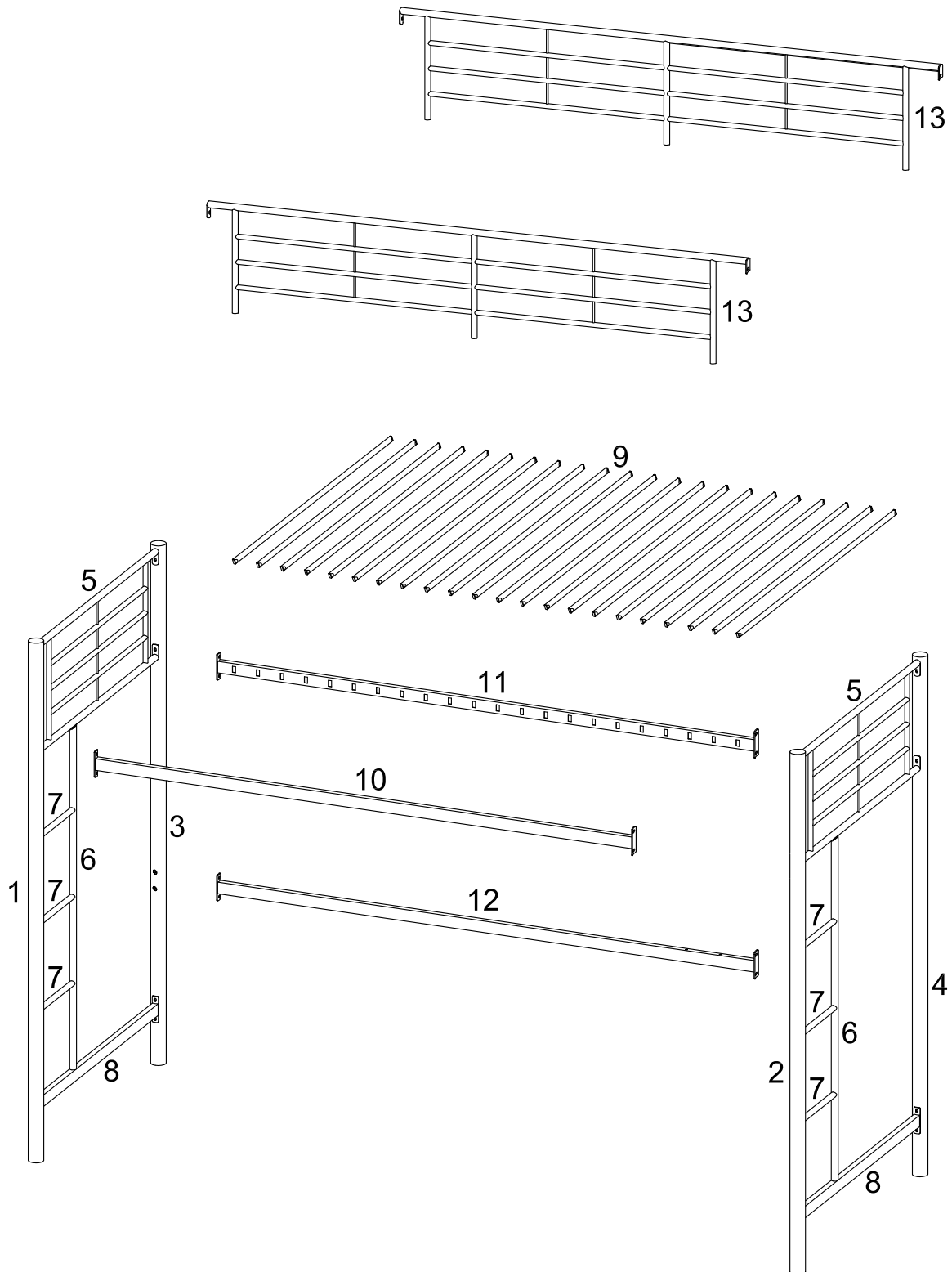


WARNING

IMPORTANT INFORMATION MUST READ BEFORE ASSEMBLING PRODUCT

- Follow the information on the warnings appearing on the upper bunk end structure and on the carton. Do not remove warning label from bed.
- Use only a mattress which is 74-75 " L x 37.5-38.5 " W x 9 " H on the upper bunk.
- Replacement Parts—Replacement parts, including additional guardrails, may be obtained from any of Walker Edison Furniture's dealers or by contacting Walker Edison Furniture online at www.walkerediton.com.
- Follow the information on the warnings appearing on the upper bunk end structure and on the carton. DO NOT remove warning label from bed.
- Always use the recommended size mattress or mattress support, or both, to help prevent the likelihood of entrapment or falls.
- Surface of mattress must be at least 5 in. (127 mm) below the upper edge of guardrails. Mattress must not exceed a maximum thickness of 9 inches.
- DO NOT allow children under 6 years of age to use the upper bunk.
- Periodically check and ensure that the guardrail, ladder, and other components are in their proper position, free from damage, and that all connectors are tight.
- DO NOT allow horseplay on or under the bed and prohibit jumping on the bed.
- Always use the ladder for entering and leaving the upper bunk.
- DO NOT use substitute parts. Contact the manufacturer or dealer for replacement parts.
- Use of a night light may provide added safety precaution for a child using the upper bunk.
- Always use guardrails on both long sides of the upper bunk. If the bunk bed will be placed next to the wall, the guardrail that runs the full length of the bed should be placed against the wall to prevent entrapment between the bed and wall.
- The use of water or sleep flotation mattresses is prohibited.
- STRANGULATION HAZARD—Never attach or hang items to any part of the bunk bed that are not designed for use with the bed; for example, but not limited to, hooks, belts and jump ropes.
- Prohibit more than one person on upper bunk.
- Keep these instructions for future reference.

Parts List

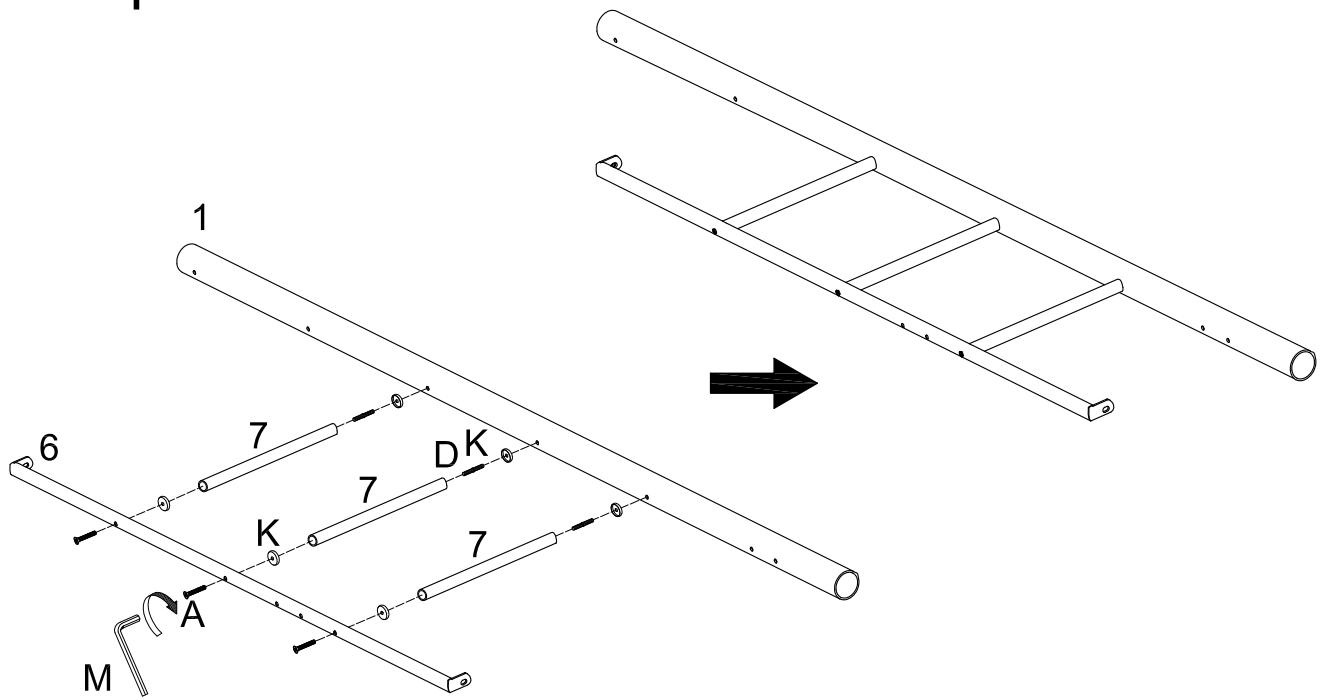


Hardware List

A		Ø1/4"x1-1/4"	Screw	6 pcs
B		Ø5/16"x2-1/4"	Screw	8 pcs
C		Ø1/4"x5/8"	Screw	48 pcs
D		Ø1/4"x1"	Screw	6 pcs
E		Ø5/16"x18	washer	8 pcs
F		Ø1/4"x16	washer	34 pcs
G				2 pcs
H		9x14	Plastic plug	4 pcs
I		15x17	Snap plastic tab lock	44 pcs
J			Snap plastic link	21 pcs
K			Washer	12 pcs
L		M5	Large wrench	1 pc
M		M4	Small wrench	1 pc

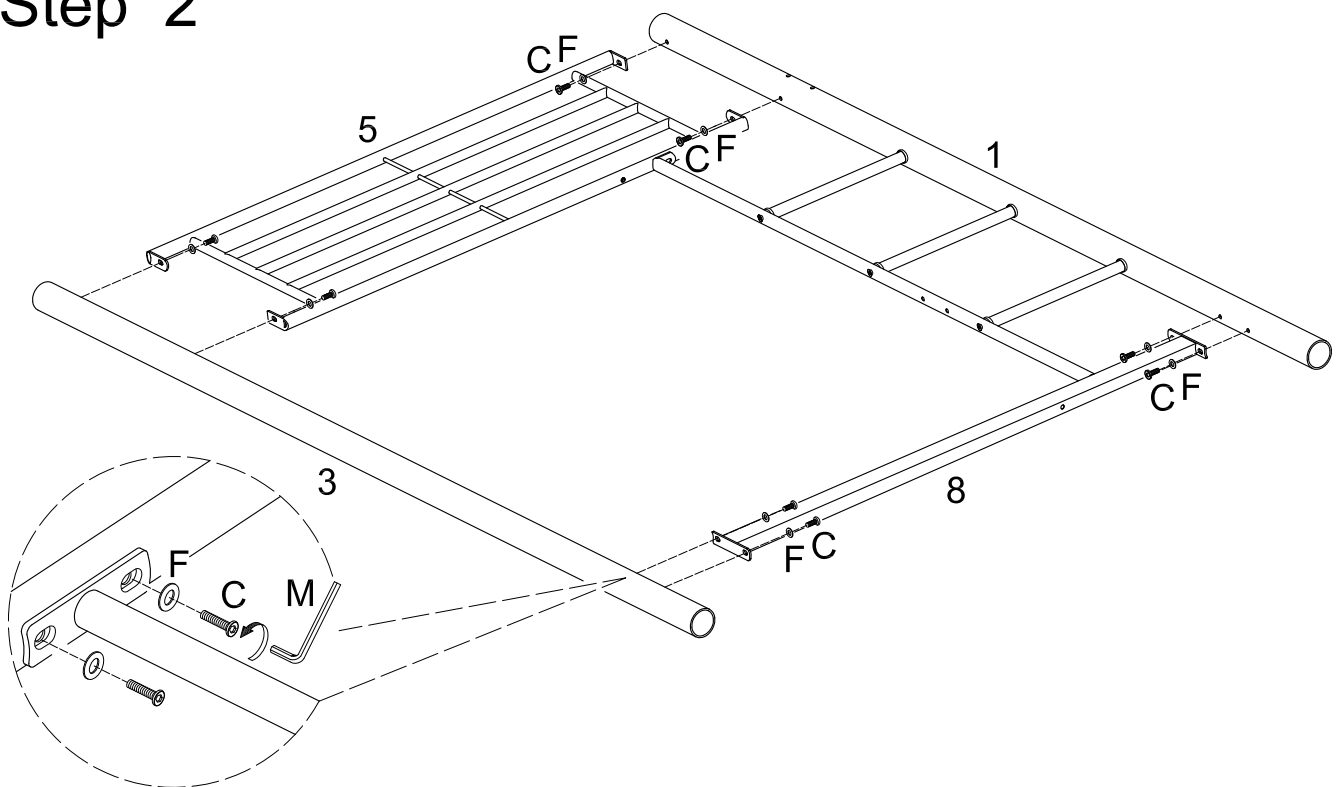
*The hardware quantities listed above are required for proper assembly.
Some extra hardware may also have been included.*

Step 1



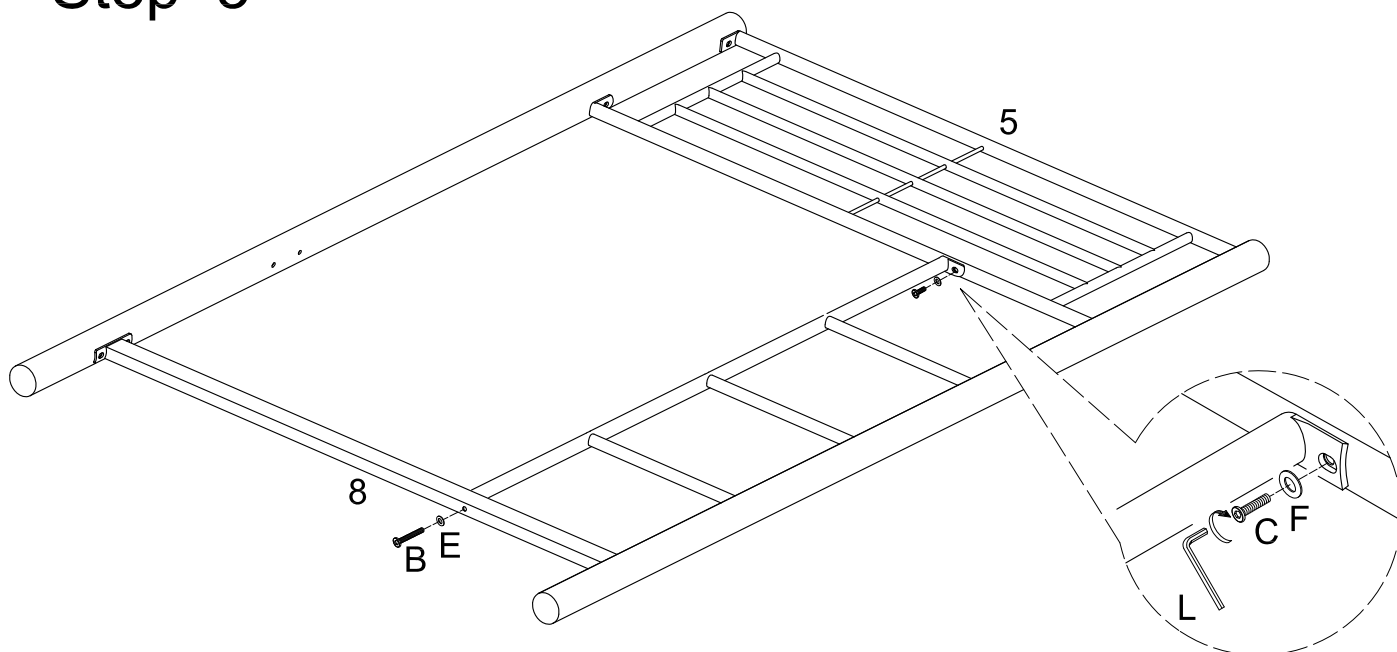
Attach post (1) to the left side of ladder rungs (7) using double-ended screws (D) and rounded washers (K). Attach ladder rail (6) to the right side of ladder rungs (7) using medium bolts (A) and rounded washers (K). Tighten medium bolts (A) with small wrench (M).

Step 2



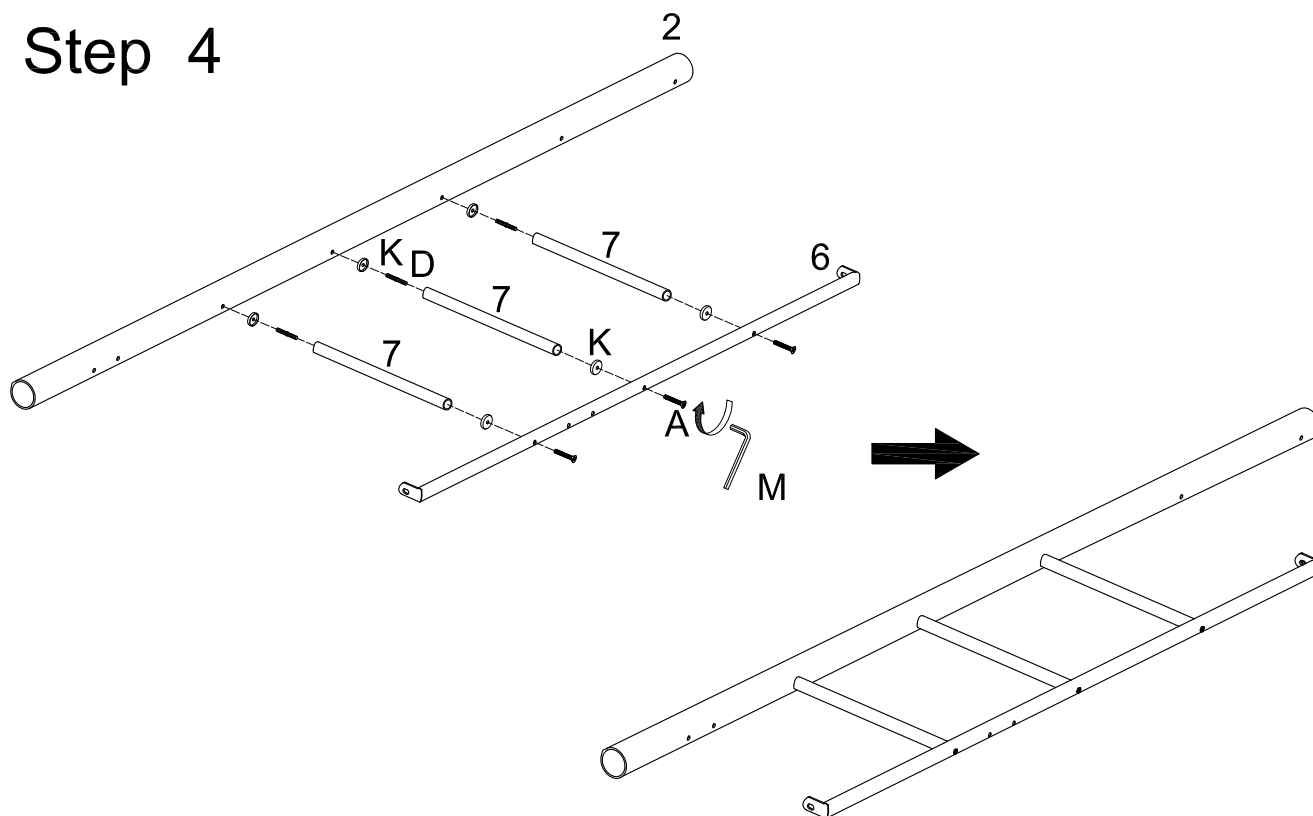
Attach guardrail (5) and crossbar (8) to post (1) using small bolts (C) and small washers (F). Attach post (3) to guardrail (5) and crossbar (8) using small bolts (C) and small washers (F). Tighten small bolts (C) with small wrench (M).

Step 3



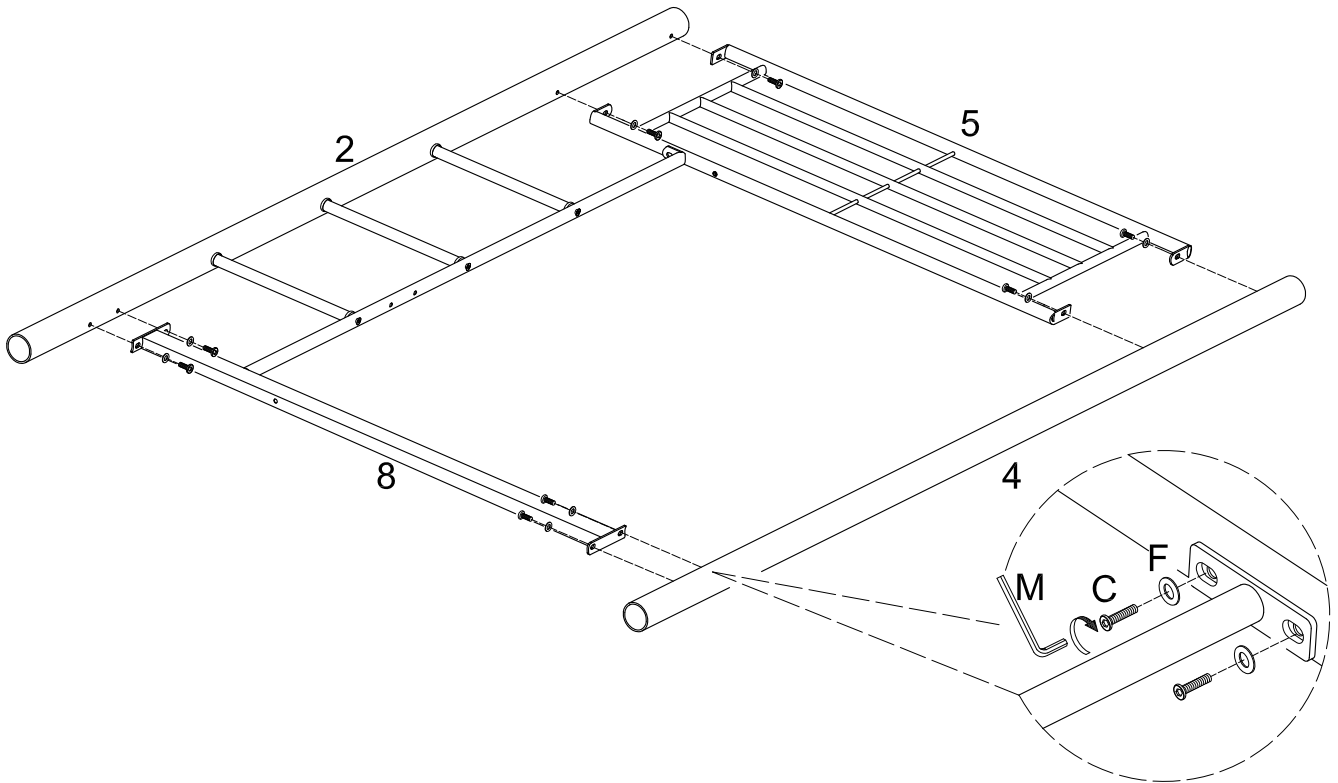
Secure ladder rail (6) to guardrail (5) using small bolt (C) and small washer (F). Secure ladder rail (6) to crossbar (8) using large bolt (B) and large washer (E). Tighten small washer (F) with small wrench (M) and large bolt (B) with large wrench (L).

Step 4



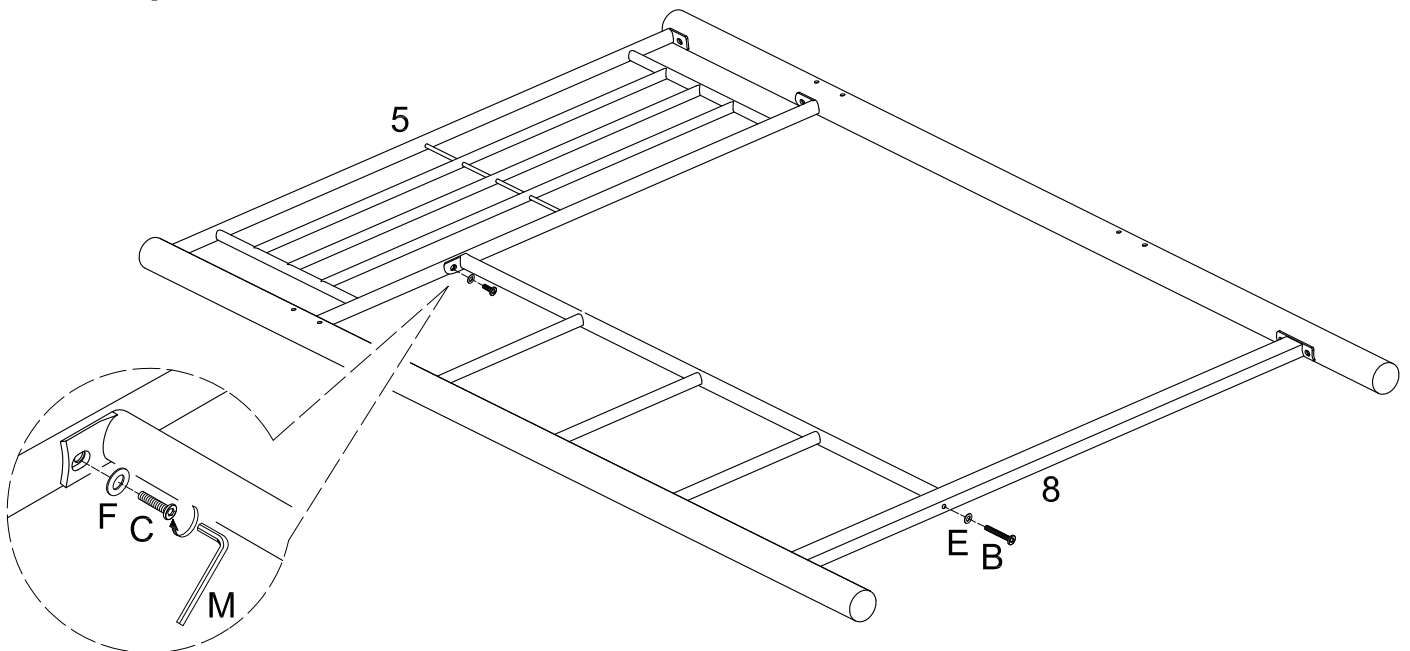
Attach post (2) to the right side of ladder rungs (7) using double-ended screws (D) and rounded washers (K). Attach ladder rail (6) to the left side of ladder rungs (7) using medium bolts (A) and rounded washers (K). Tighten medium bolts (A) with small wrench (M).

Step 5



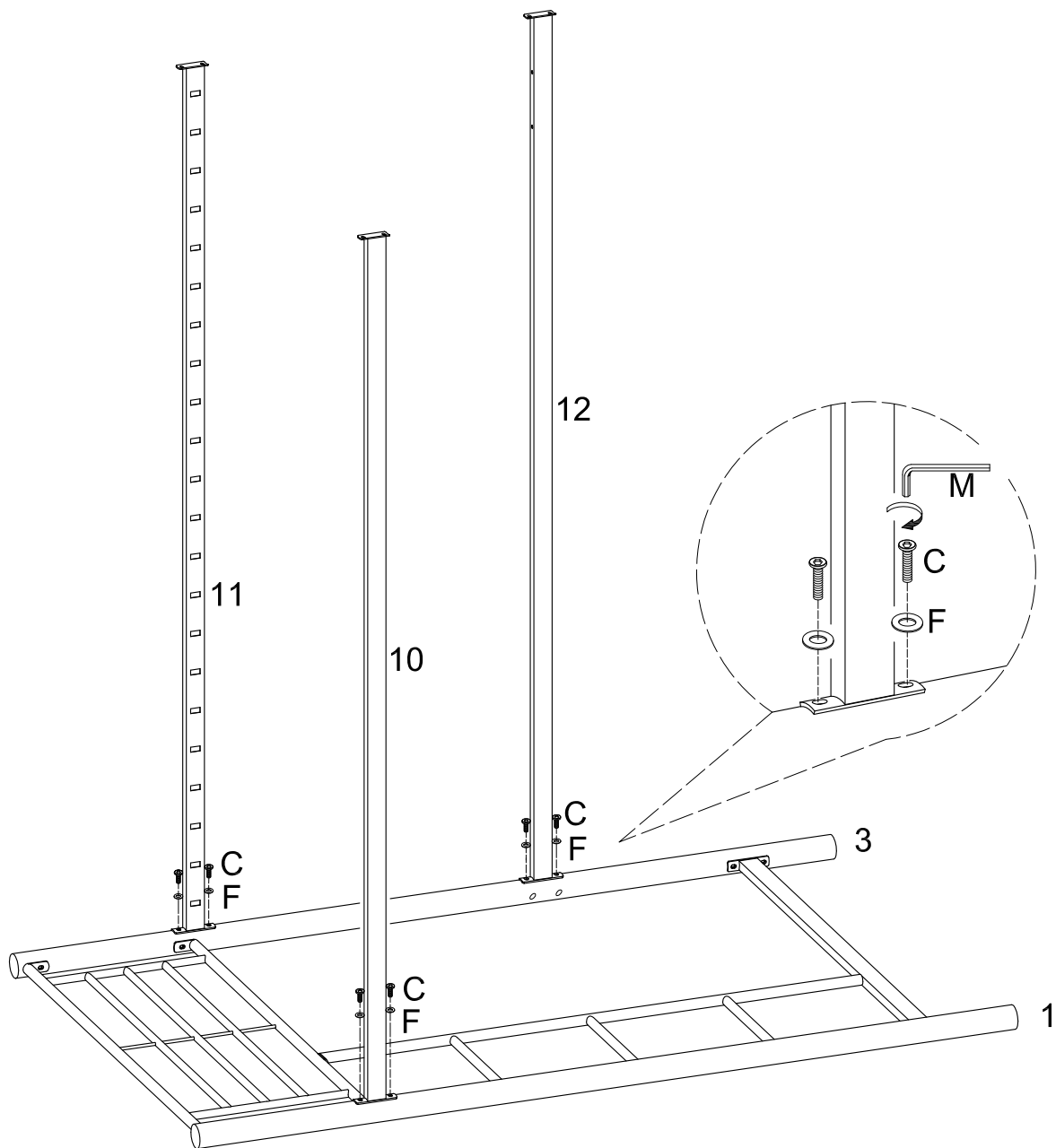
Attach guardrail (5) and crossbar (8) to post (2) using small bolts (C) and small washers (F). Attach post (4) to guardrail (5) and crossbar (8) using small bolts (C) and small washers (F). Tighten small bolts (C) with small wrench (M).

Step 6



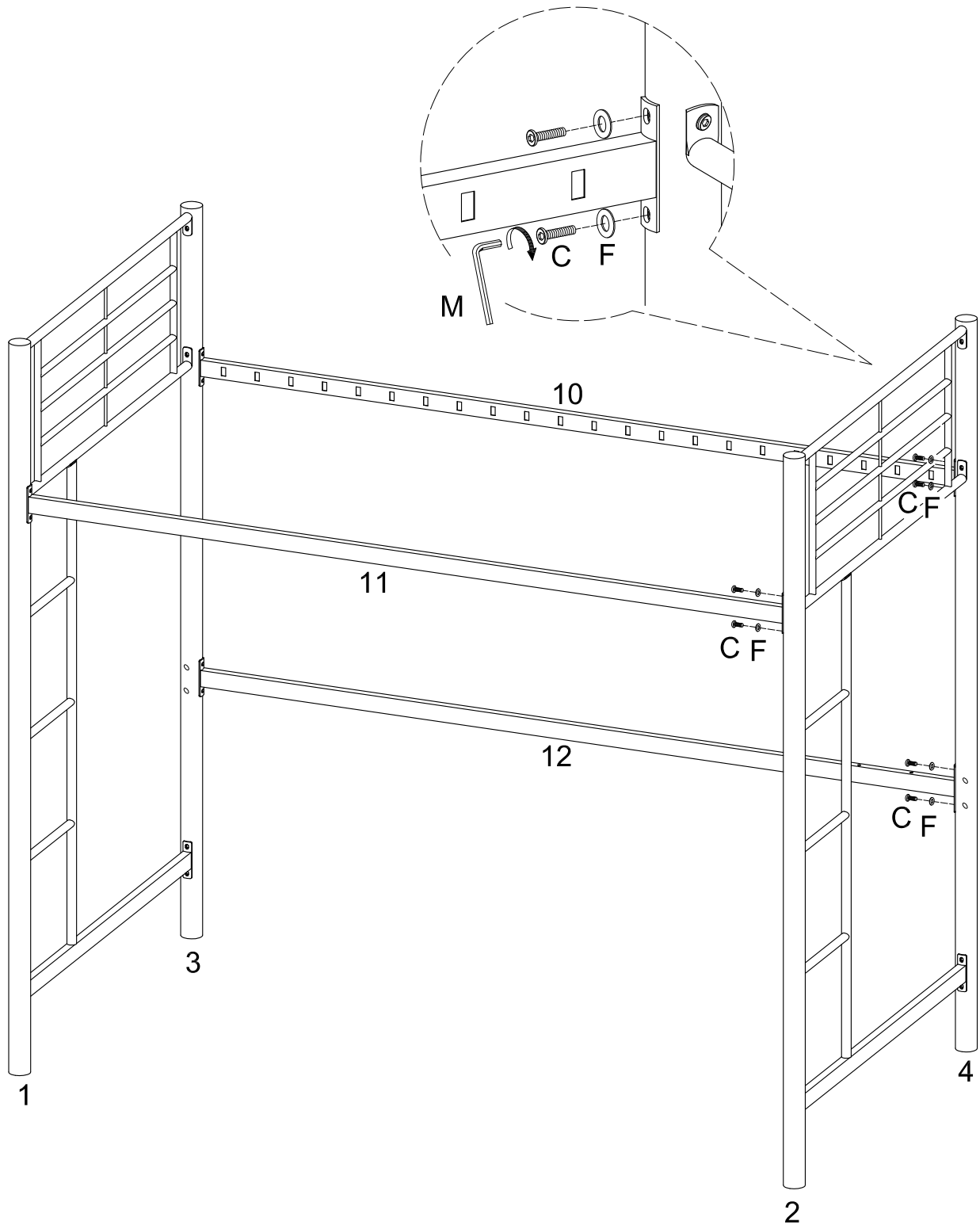
Secure ladder rail (6) to guardrail (5) using small bolt (C) and small washer (F). Secure ladder rail (6) to crossbar (8) using large bolt (B) and large washer (E). Tighten small washer (F) with small wrench (M) and large bolt (B) with large wrench (L).

Step 7



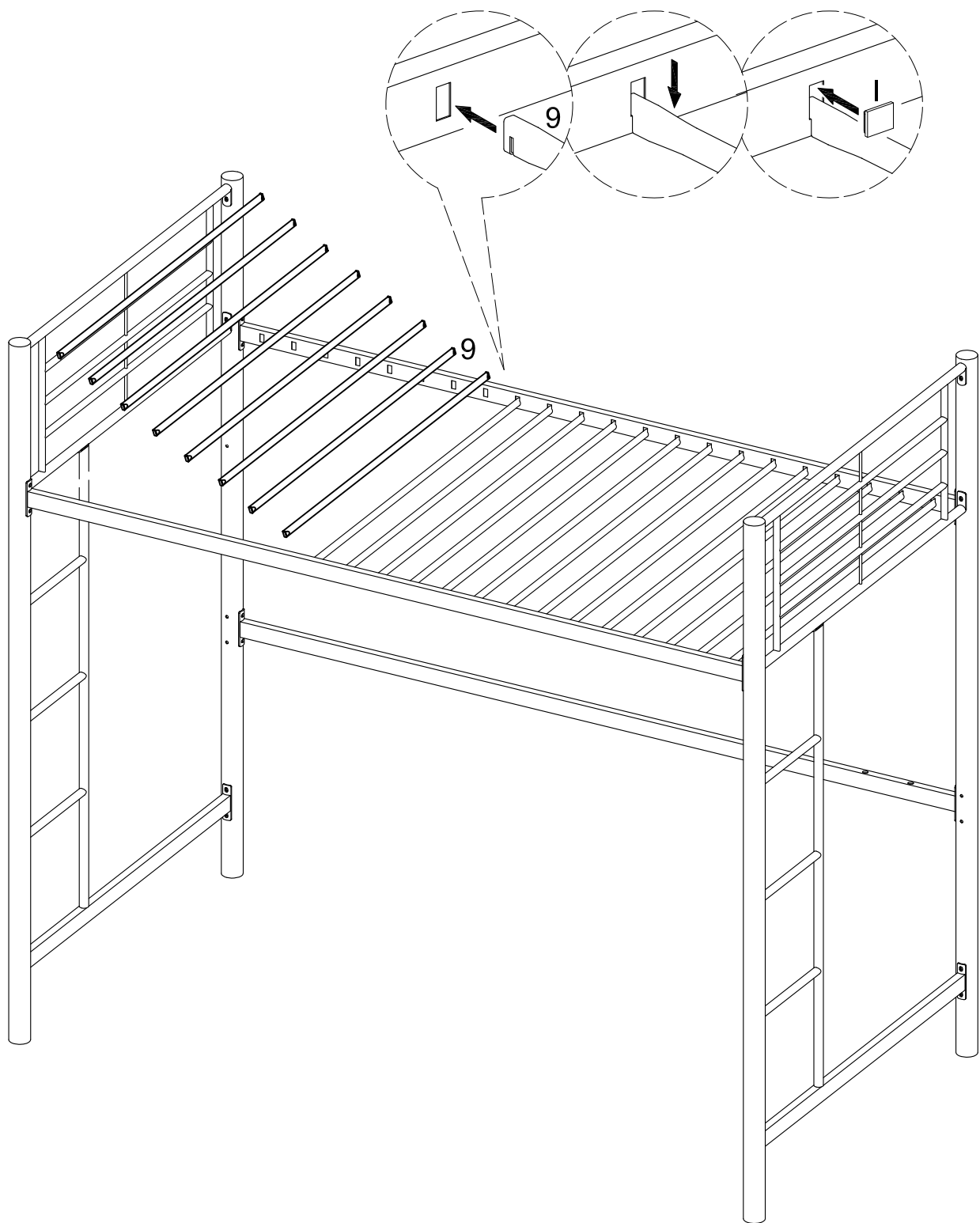
Attach crossbars (10,11,12) to the assembly from Step 3 using small bolts (C) and small washers (F). Tighten small bolts (C) with small wrench (M).

Step 8



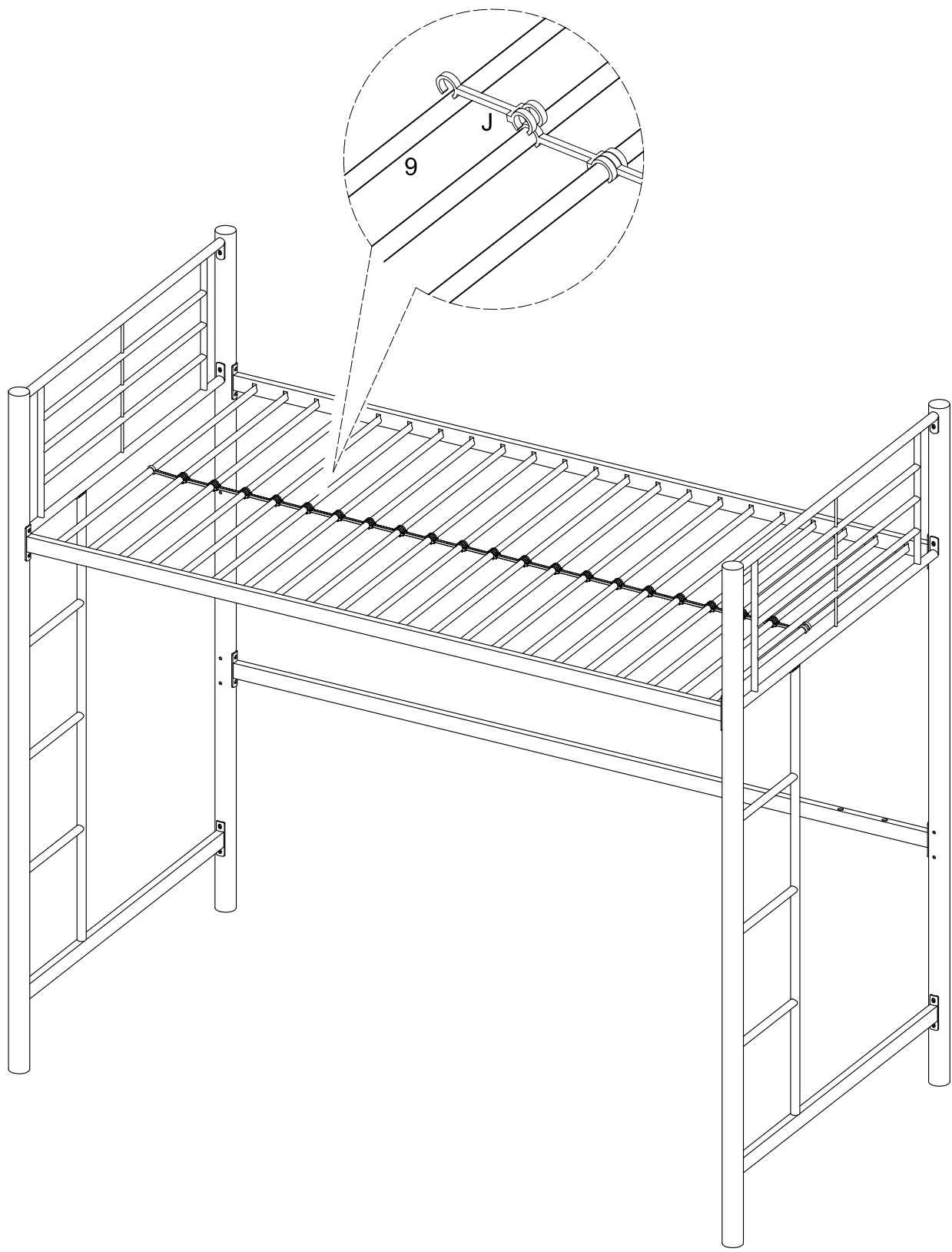
Attach crossbars (10,11,12) to the assembly from Step 6 using small bolts (C) and small washers (F). Tighten small bolts (C) with small wrench (M).

Step 9



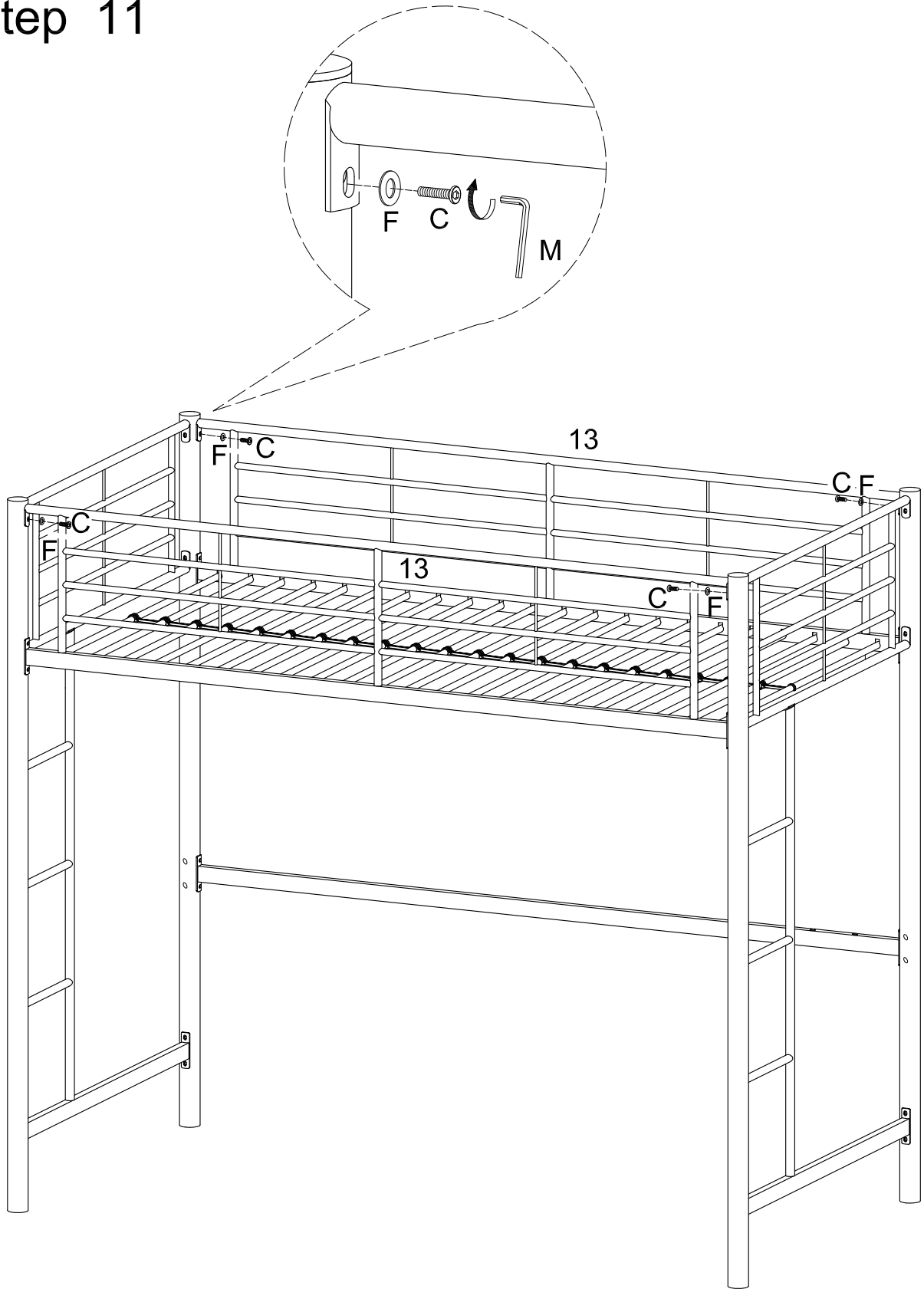
Insert mattress support bars (9) into the provided slots of crossbars (10,11). Secure mattress support bars (9) by snapping plastic tab locks (1) into the provided slots of crossbars (10,11). Note that it may be necessary to apply more pressure to some plastic tab locks than others.

Step 10



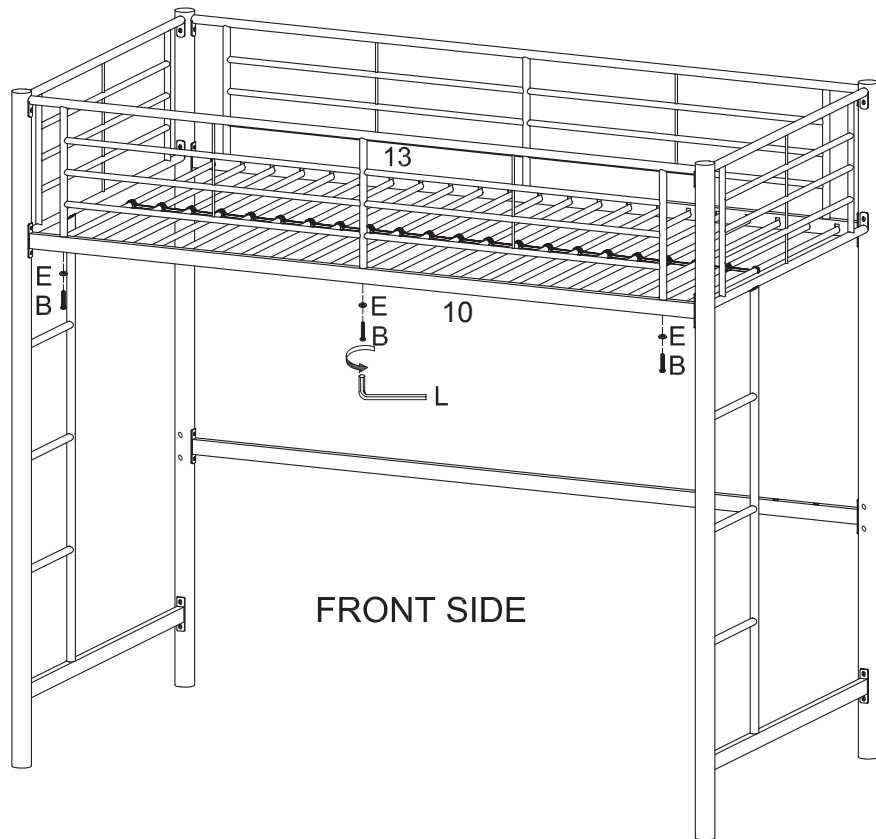
Snap plastic links (J) onto the middle of mattress support bars (9).

Step 11

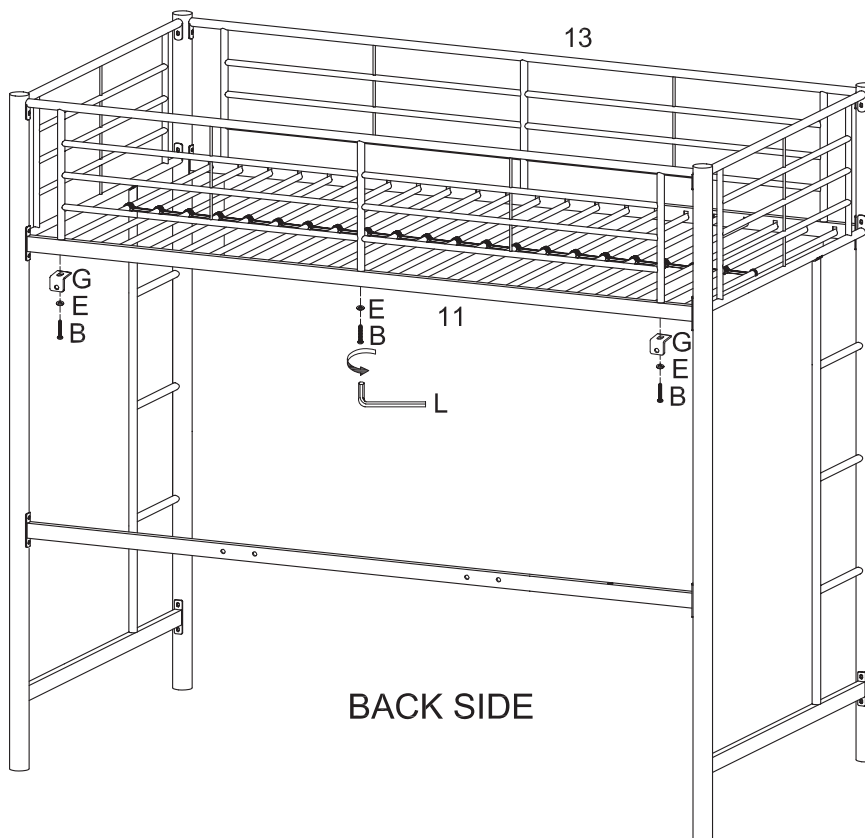


Attach guardrails (13) to posts (1,2,3,4) using small bolts (C) and small washers (F). Tighten small bolts (C) with small wrench (M).

Step 12



FRONT SIDE

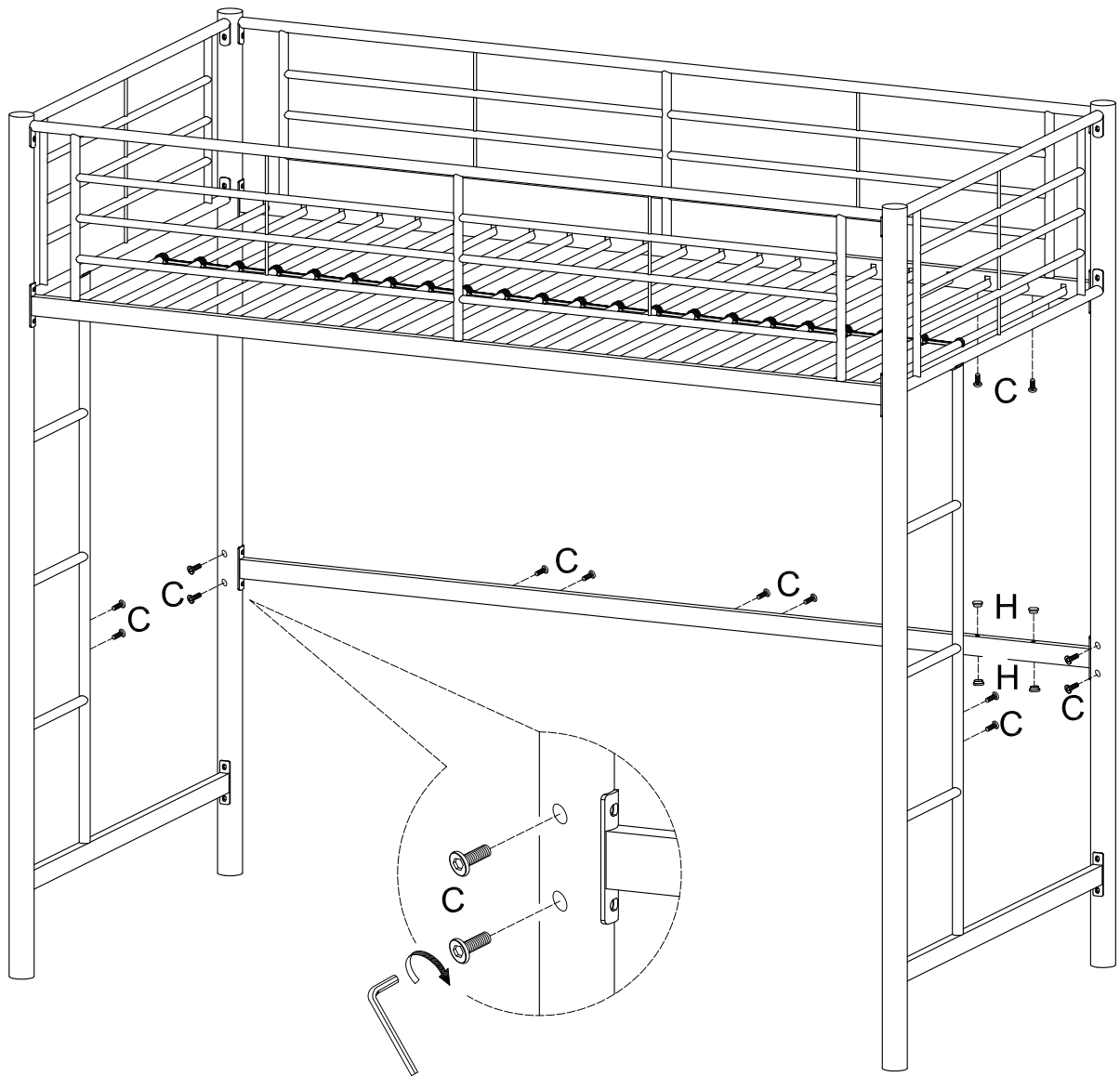


BACK SIDE

Secure front guardrail (13) to crossbar (10) using large bolts (B) and large washers (E). Secure back guardrail (13) to crossbar (11) using large bolts (B), large washers (E) and, where applicable, angle brackets (G).^{*} Tighten large bolts (B) with large wrench (L).

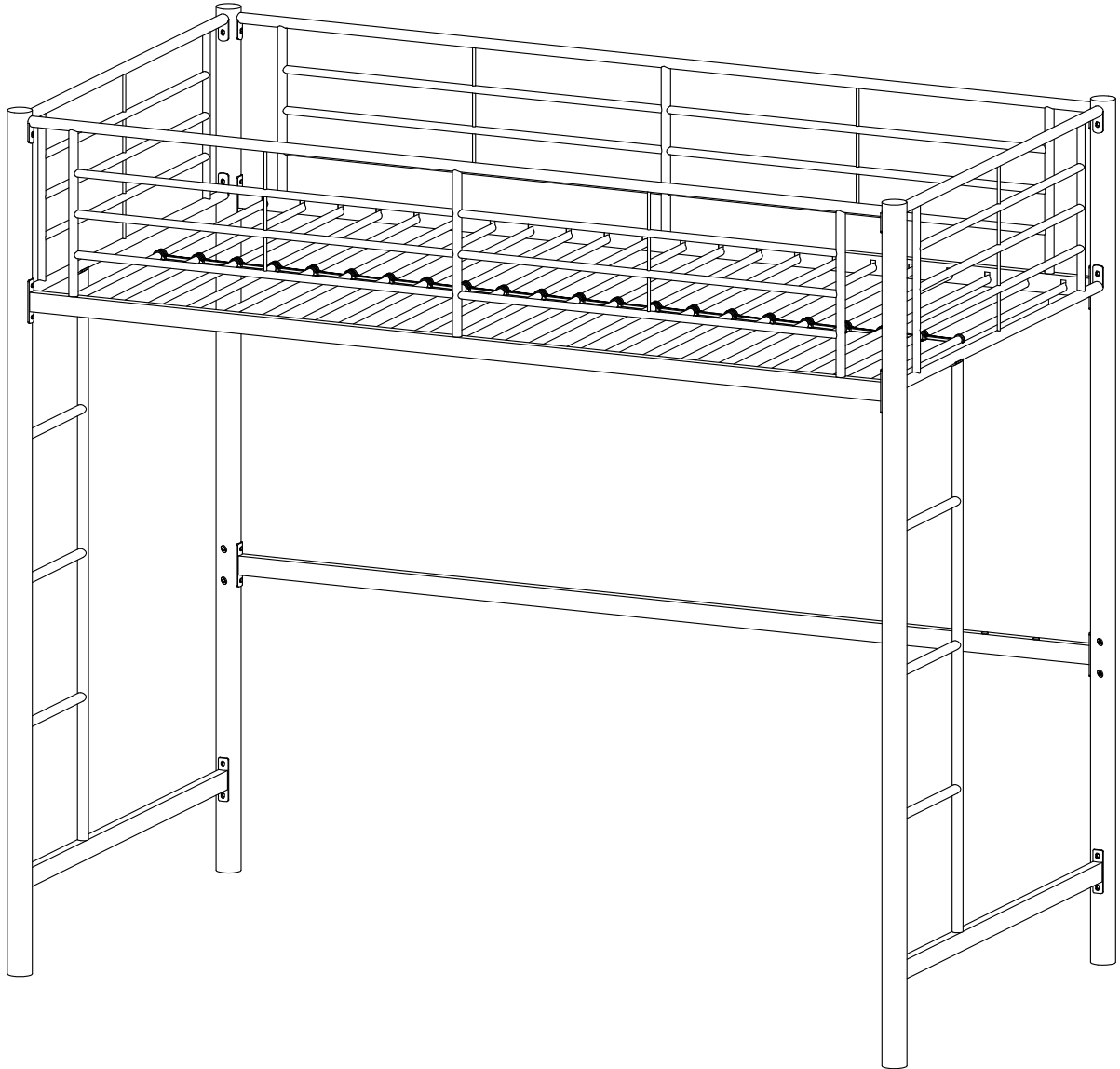
^{}OPTIONAL: Angle brackets (G) can be used to attach the bed to a wall for additional support. You must use hardware suitable for the particular wall type, which is not included as there are many different wall types. You must also mount the bed to the structure of the wall (i.e. wood studs, metal studs or cement/brick) directly. DO NOT attach the bed to the surface of the wall without anchoring into the structural framework of the wall. Please seek professional advice if you are unsure of your own ability to do this correctly. Walker Edison Furniture Company makes no representation of warranty, expressed or implied, to the strength of any structure and the wall's ability to hold your bed. You assume all responsibility and indemnify Walker Edison Furniture Company of any and all damages that may be incurred by attaching your bed to the wall.*

Step 13



Screw small bolts (C) and insert plastic plugs (H) into the bunk bed assembly. This will fill the holes that are used only with the optional accessory attachments, which are sold separately.

Step 14



Final Assembly