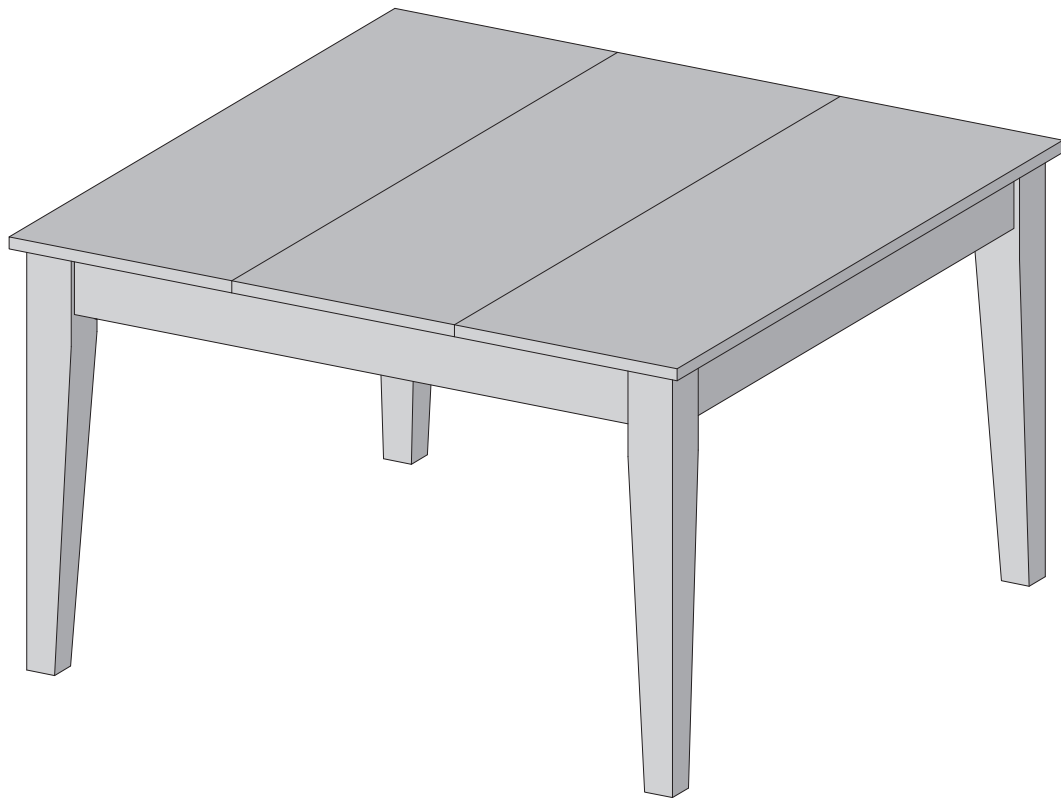




Item # : TW60SQ
Assembly Instructions

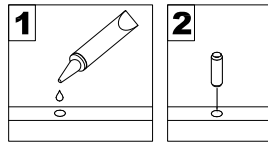


Please visit our website for the most current instructions, assembly tips, report damage, or request parts. www.walkeredison.com

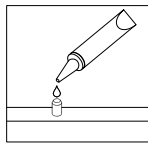
Revised 03/2017

General Assembly Guidelines

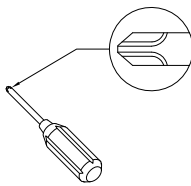
- I. Ensure that all parts and hardware are available before beginning assembly.
- II. Follow each step carefully to ensure the proper assembly of this product.
- III. Two people are recommended for ease in the assembly of this product.
- IV. The three main types of hardware used to assemble this product are : wood dowels , screws and bolts.
- V. The provided glue is to secure wood dowels in place . When first inserting dowels , locate the appropriate hole for the dowel , place a small amount of glue in the hole and insert the dowel . Wipe away excess glue immediately.



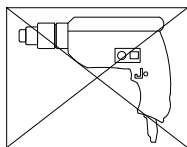
In future assembly steps when dowels are necessary to attach assembly parts together , place a small amount of glue on the end of the dowel before attaching parts together . Wipe away excess glue immediately.



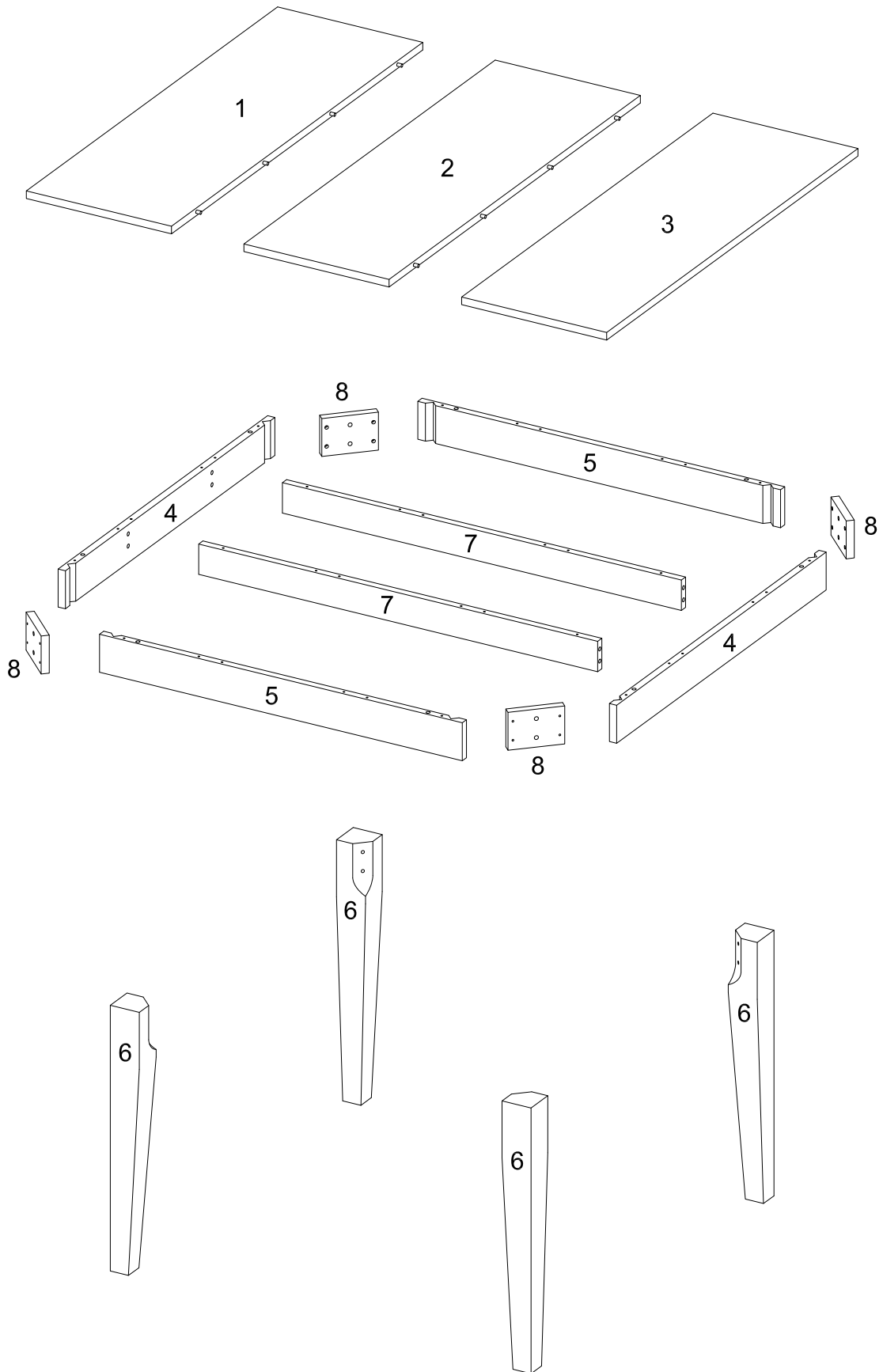
- VI. A Phillips head screwdriver is required for the assembly of this product .







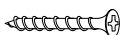
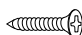

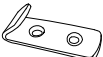

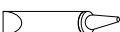
- VII. Power tools should not be used to assemble this product .

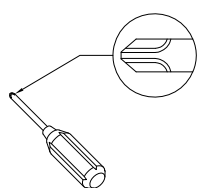


Parts List



Hardware List

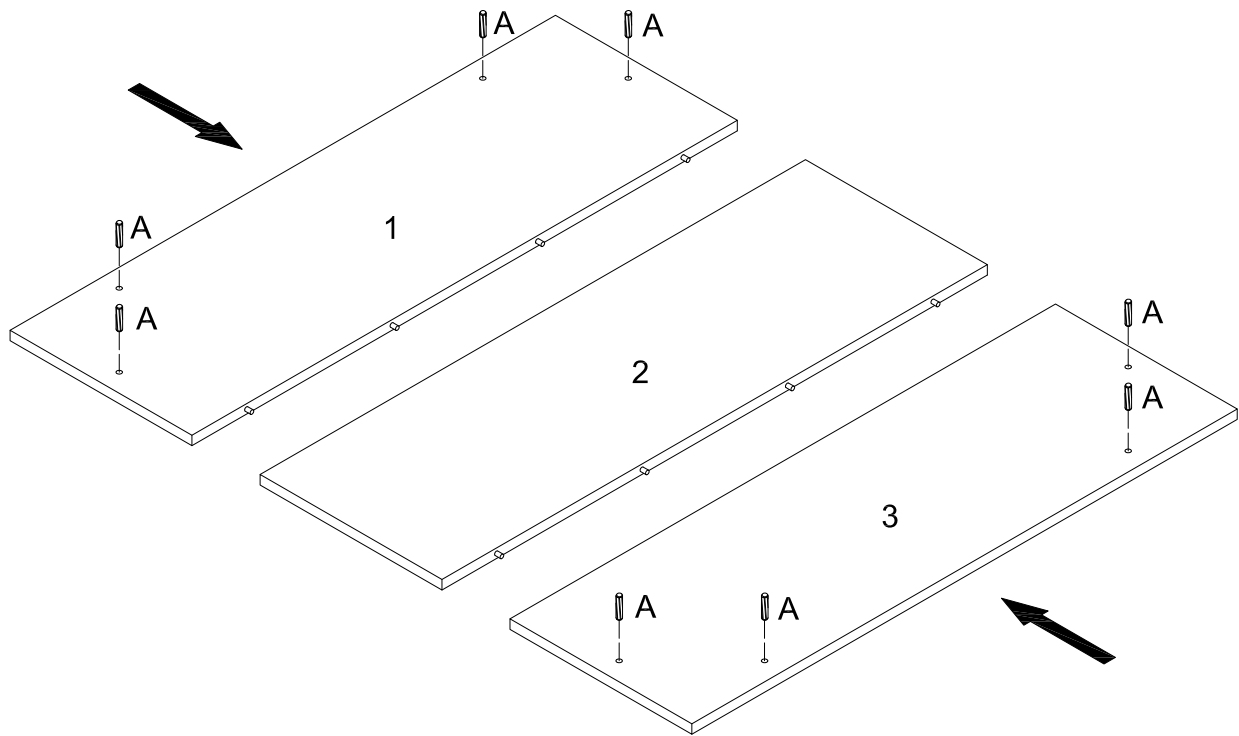
| | | | | |
|---|---|-----------|---------------|--------|
| A |  | Ø10*35mm | Wooden dowel | 16 pcs |
| B |  | Ø8*70mm | Bolt | 8 pcs |
| C |  | Ø5/16" | Spring washer | 8 pcs |
| D |  | Ø5/16" | Washer | 8 pcs |
| E |  | Ø4*32mm | Screw | 52 pcs |
| F |  | M3.5*16mm | Screw | 16 pcs |
| G |  | | Table lock | 4 pcs |
| H |  | | Table lock | 4 pcs |
| J |  | M5mm | Wrench | 1 pc |
| K |  | | Glue | 2 pcs |



Philips head screwdriver required for assembly
(not included)

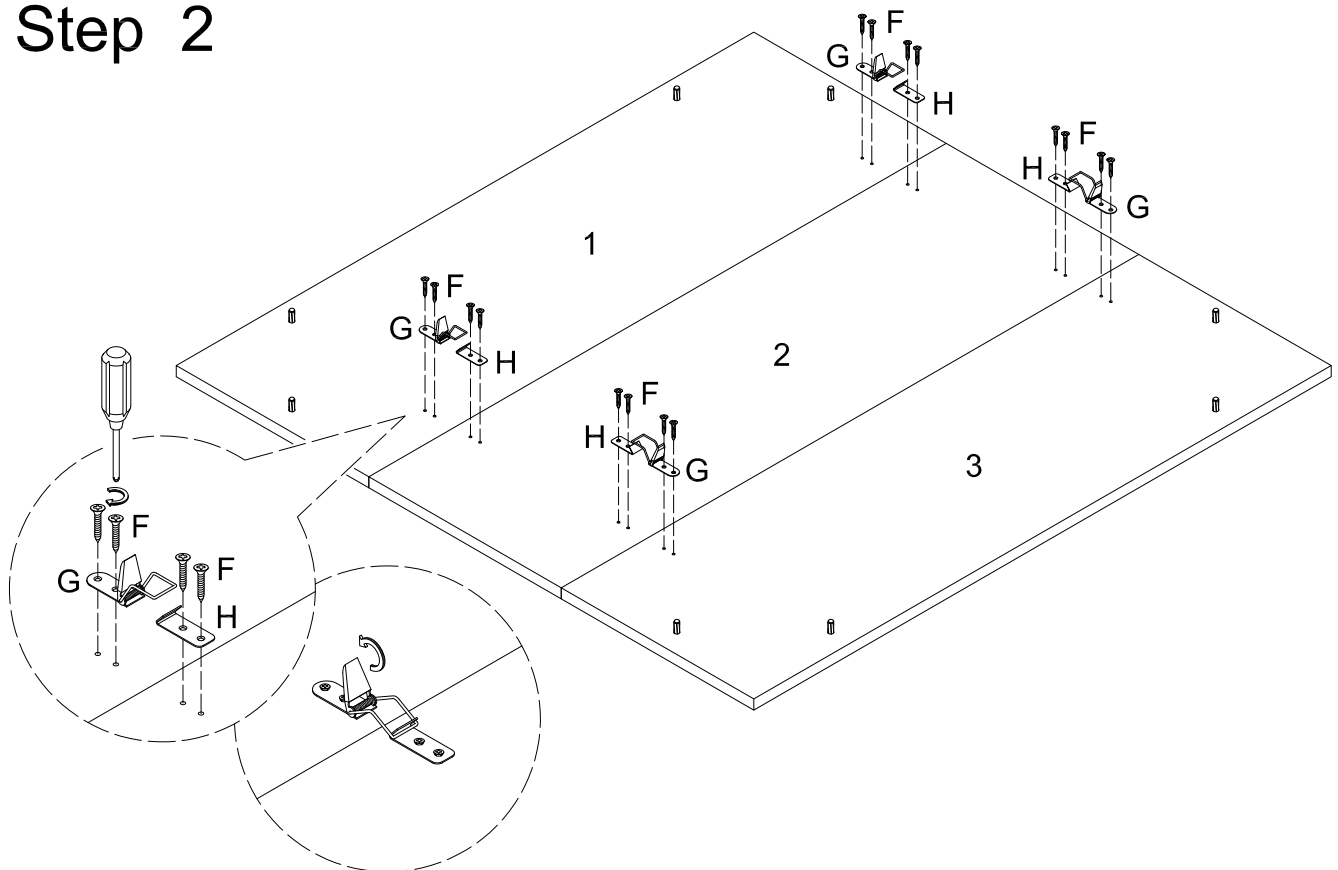
*The hardware quantities listed above are required for proper assembly.
Some extra hardware may also have been included.*

Step 1



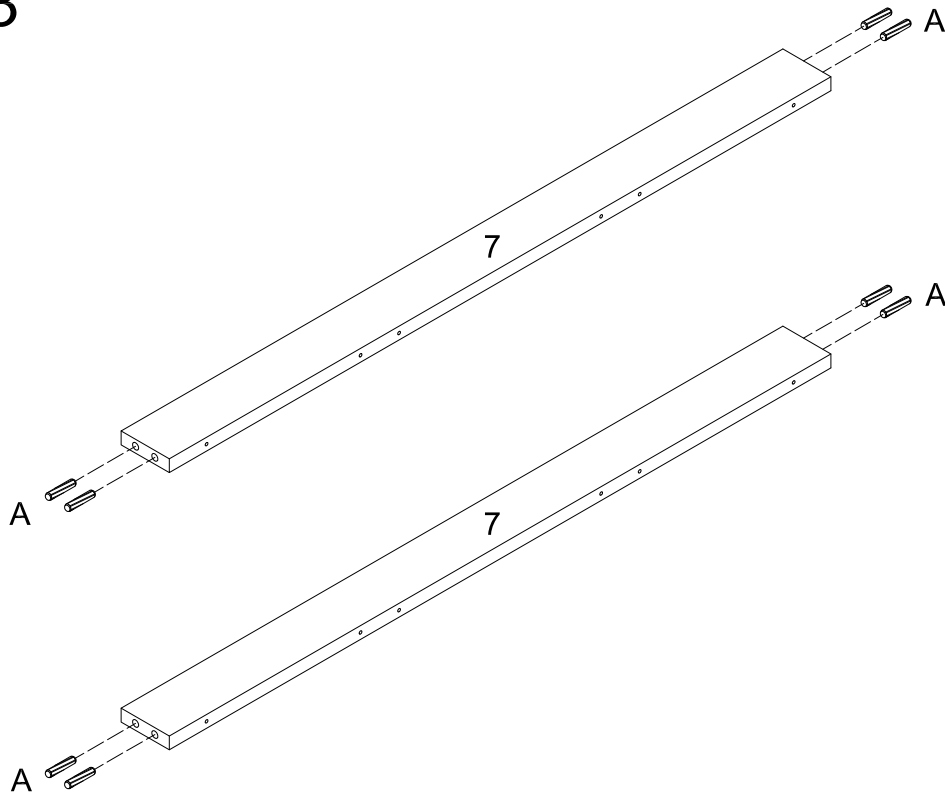
Insert the wooden dowels (A) into the table top panels (1)(3). Connect the table top panels (1)(2)(3) as shown in the diagram.

Step 2



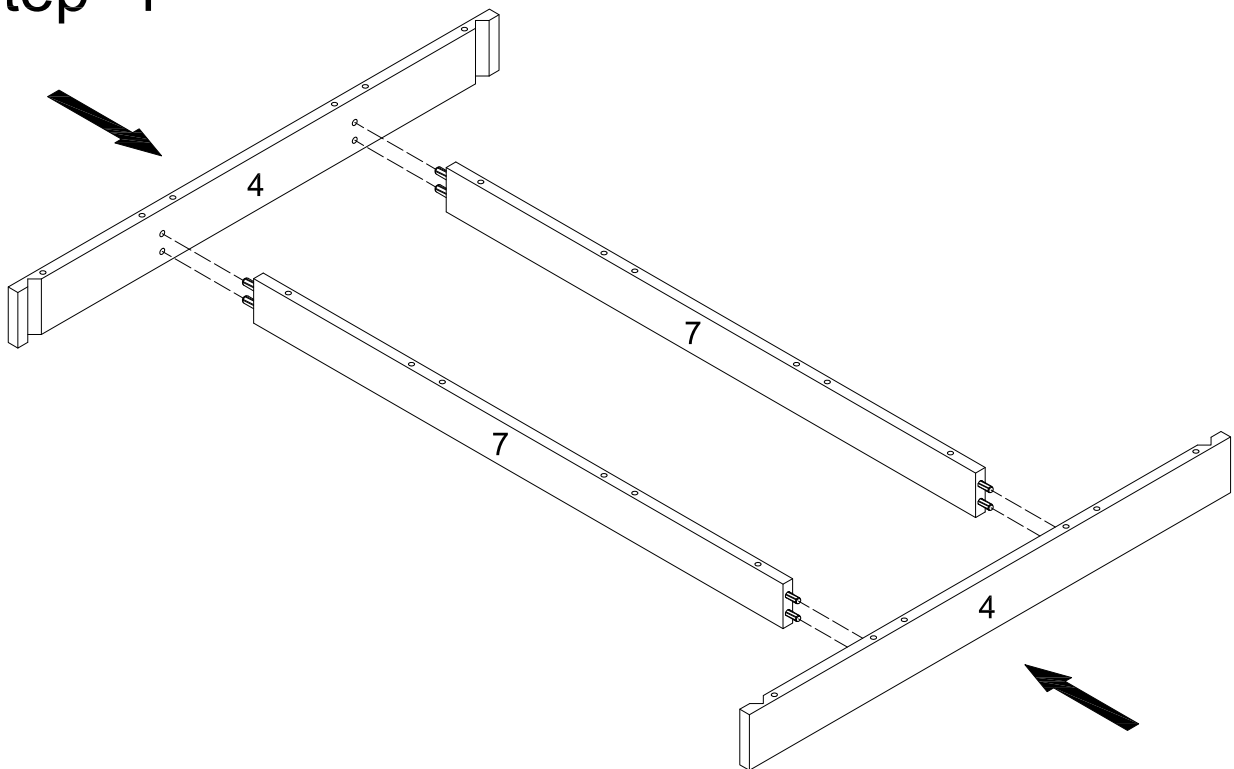
Use table locks (G)(H) and screws (F) to secure the table top panels (1)(2)(3) as shown in the diagram.

Step 3



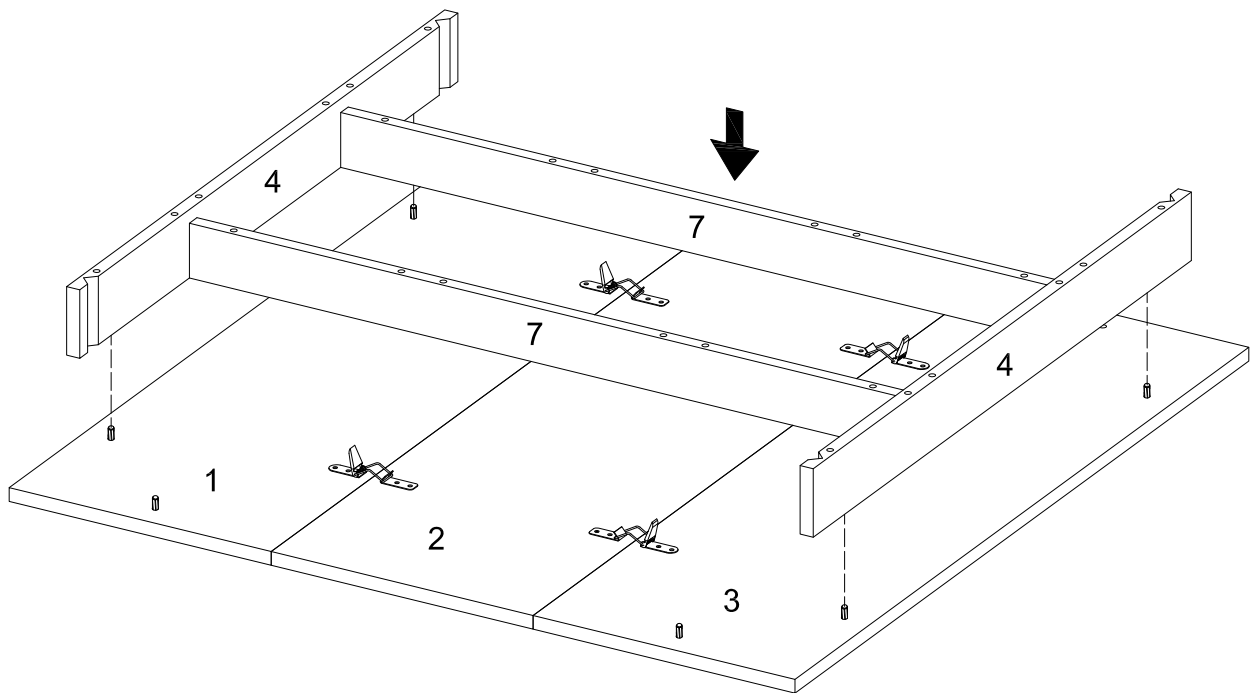
Insert the wooden dowels (A) into the support bars (7).

Step 4



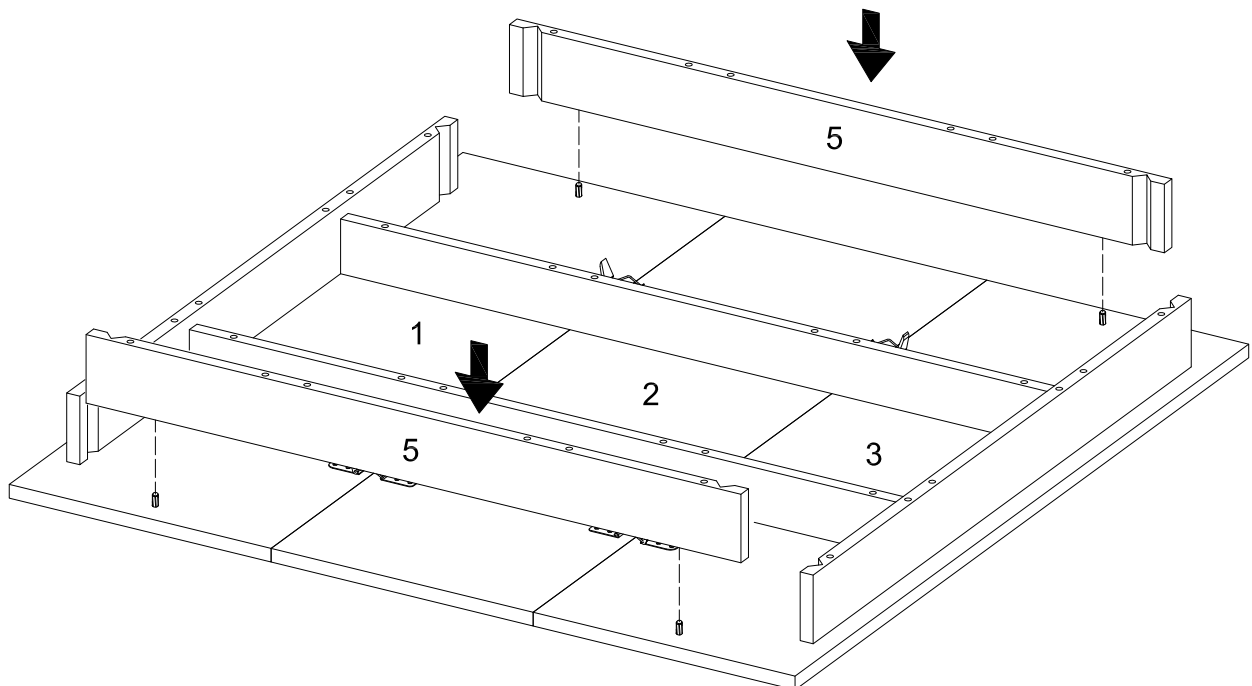
Assemble skirts (4) to the support bars (7) as shown in the diagram.

Step 5



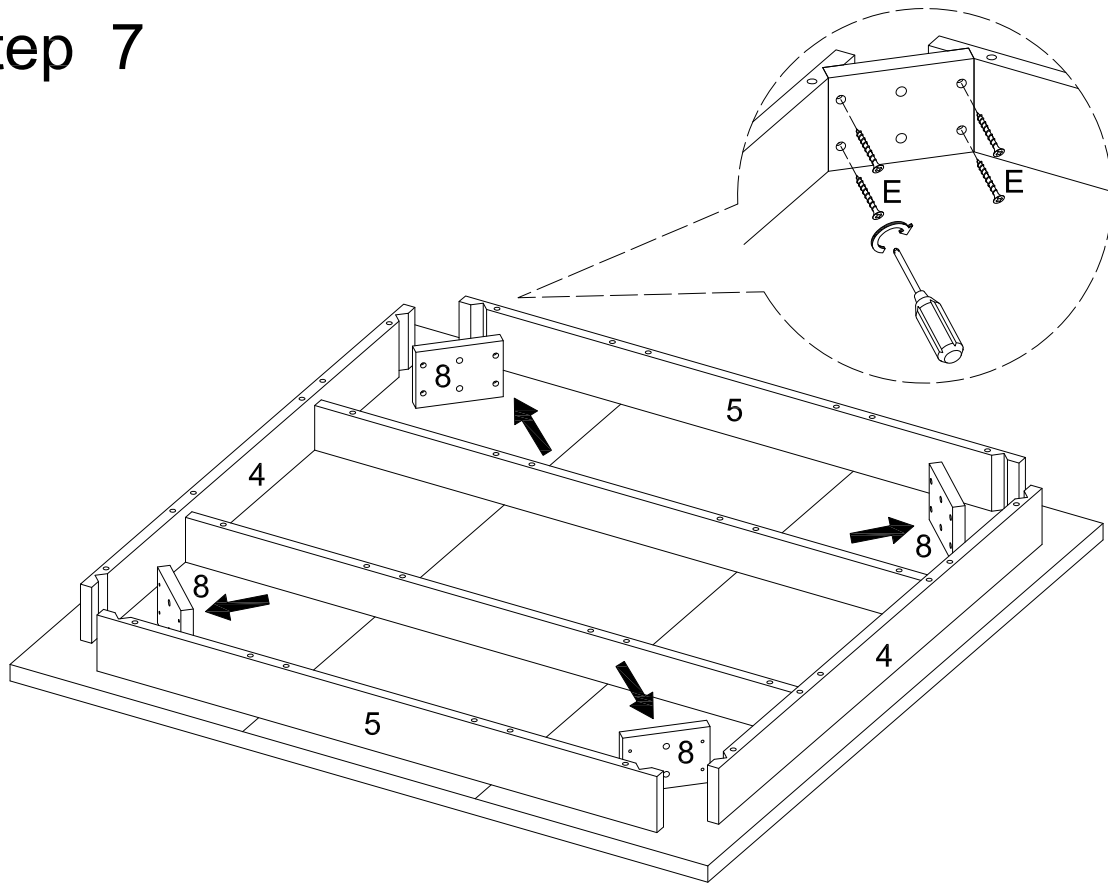
Place the skirts (4), support bars (7) onto the table top panels (1)(3).

Step 6



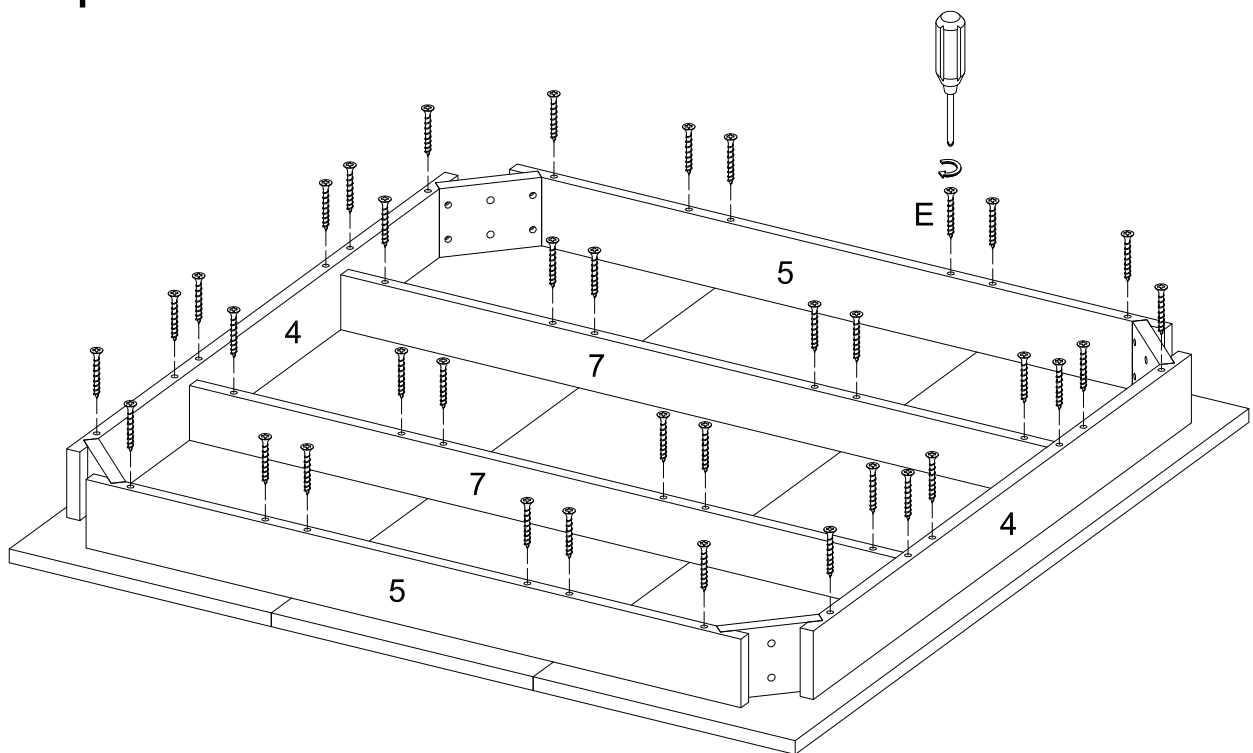
Place the skirts (5) onto the table top panels (1)(3) as shown in the diagram.

Step 7



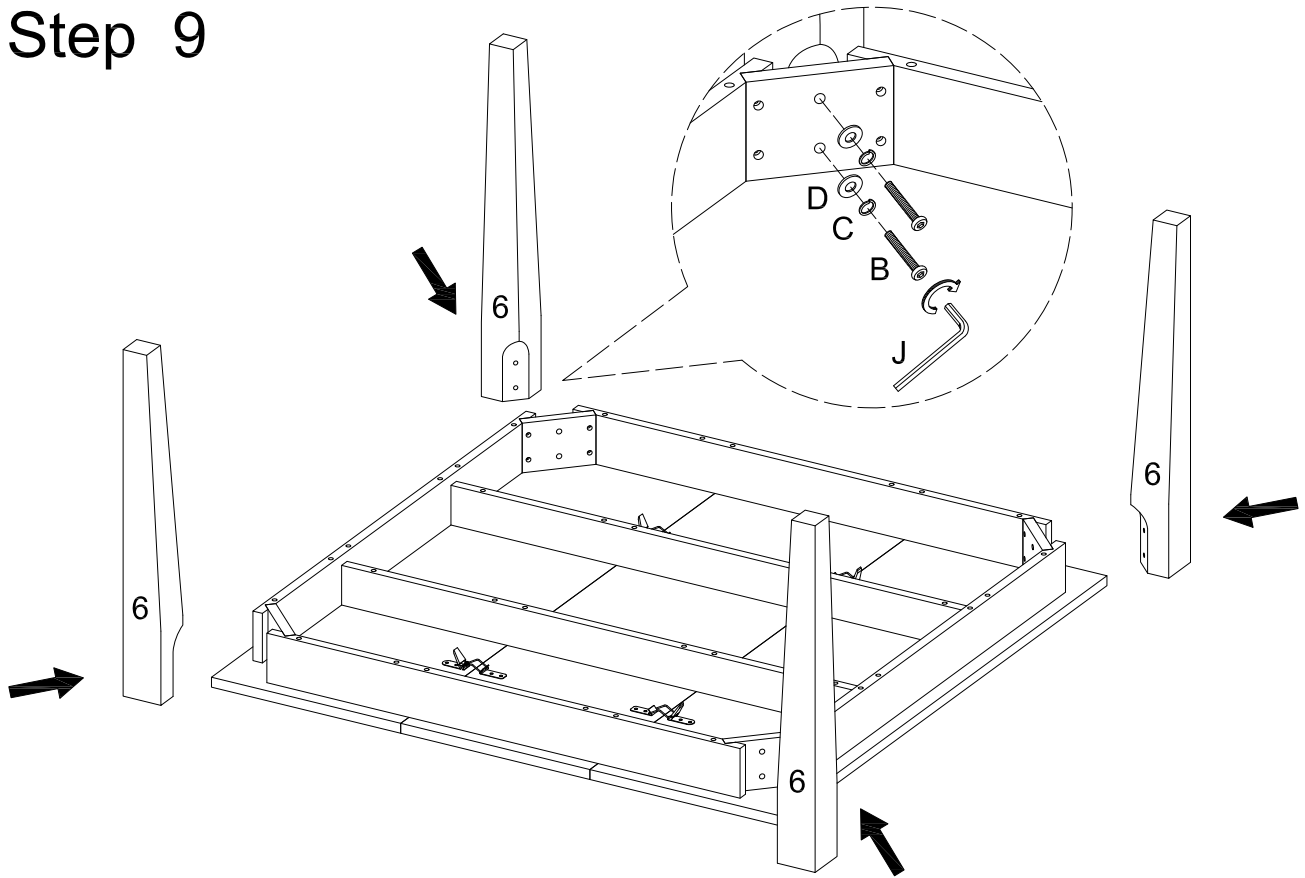
Use screw (E) to secure the wooden corner (8) to the skirt (4)(5).

Step 8



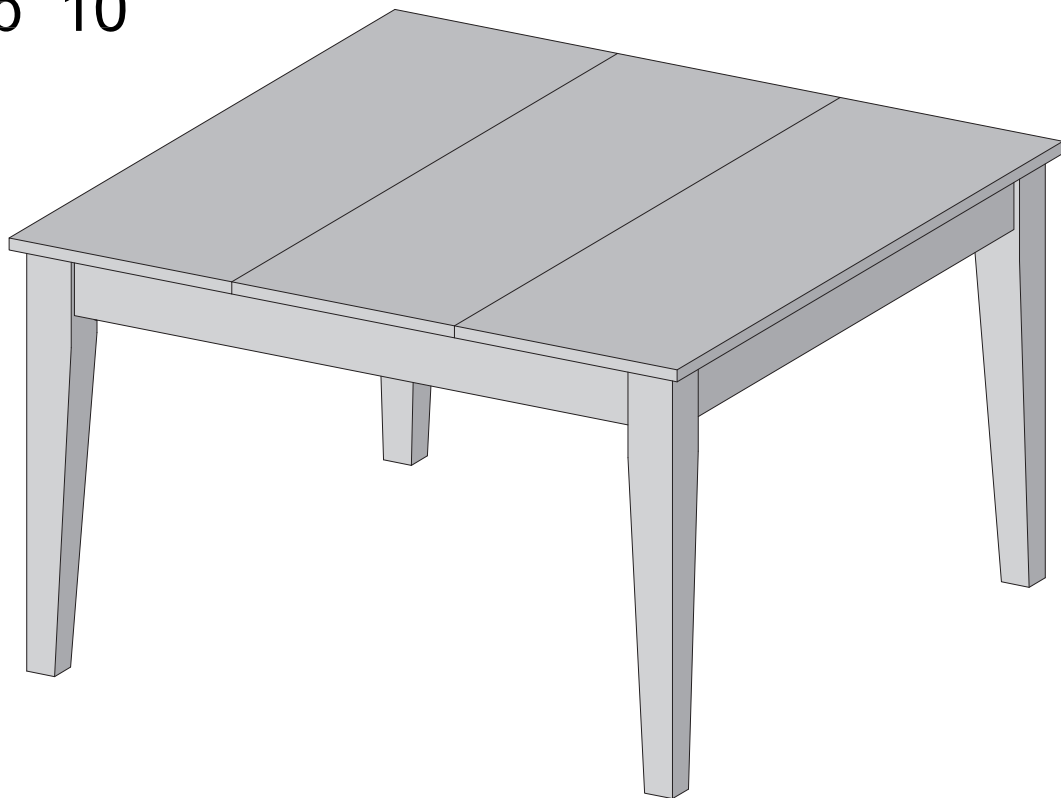
Use screws (E) to secure the skirts (4)(5) and support bar (7) as shown in the diagram.

Step 9



Attach the legs (6) to the corner and secure it with washer (D), spring washer (C), bolt (B) and wrench (J).

Step 10



Final Assembly