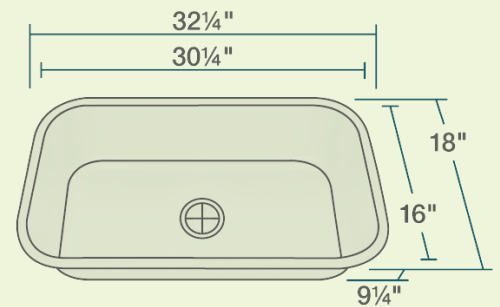




3218C-SLG Single Bowl Undermount Sink with Gray SinkLink



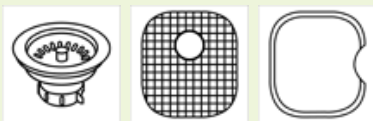
32 1/4" x 18" x 9 1/4"
 16- or 18-Gauge Steel Available
 Certified High-Quality 304 Stainless Steel
 Brushed Satin Finish
 Center Drain
 Thick Sound Dampener Rubber Pad
 Fully Insulated
 One-Piece Construction
 Limited Lifetime Warranty
 SinkLink installation piece included



Stainless Steel

Stainless Steel is the most popular choice for today's kitchens due to its clean look and durability. The beautiful brushed satin finish helps to hide small scratches that may occur over the lifetime of the sink. Our Stainless Steel sinks are made from high quality 14, 16, 18 or 20 gauge steel. Most models are made of one piece construction that ensures the sturdiest kitchen sink you will find. Our sinks are made from 300-series stainless steel and are guaranteed not to rust or stain. Each sink is fully insulated and has a sound dampening pad. Our stainless steel sinks are backed by a limited lifetime warranty. This sink can be mounted under a laminate countertop with the included SinkLink installation piece, creating a sleek look. Offered in white, black or gray, the SinkLink is constructed from thick durable plastic and acts as a secure barrier that keeps the foundation of the laminate countertop dry.

Accessories



*Accessories not included

16g UPC: 841412137324
 18g UPC: 817299014805

Features

| | | | | | |
|-----------------------------|------------------------------|------------------------------|---------------------------------|-------------------------------|-------------------------|
| Undermount Installation | 33" Minimum Cabinet Size | 16 or 18 Gauge Available | Cold-Rolled Stainless Steel | Brushed-Satin Finish | Center Drain 3 1/2" |
| Sound Dampening | Fully Insulated | Cutout Template | Hardware Included | Limited Lifetime Warranty | One Bowl |