



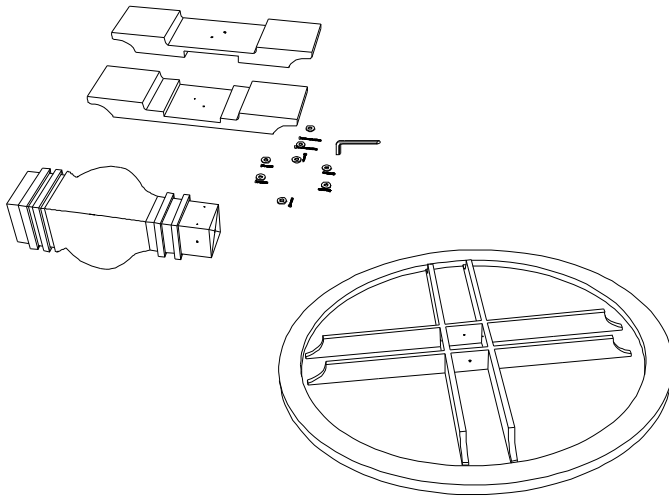


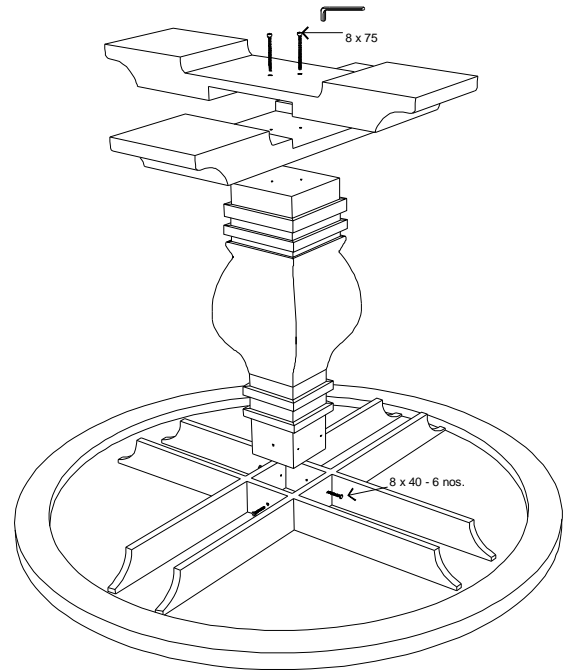
ASSEMBLY INSTRUCTIONS

Kit Contents				Ref.	Description	Qty.
Allen bolts 8 x 75 - 2 nos.	Allen bolts 8 x 40 - 6 nos.	Washer 8 nos.	Allen Key 1 nos.	1.	Round Dining Top	1 Nos.
				2.	Leg	1 Nos.
				3.	Leg Base	2 Nos.

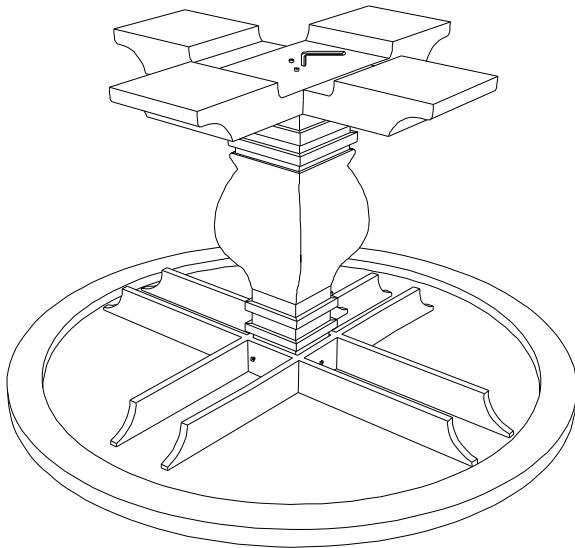
1. Components



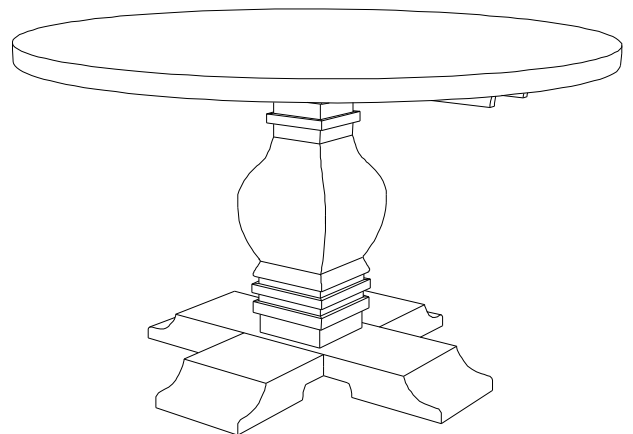
2.



3.



4.



Your table is now ready for use