

CARE AND MAINTENANCE

Spot clean using a mild water-free solvent. Only a professional cleaner should undertake a complete overall cleaning.
The use of steam or water-based cleaners may cause excessive shrinking or staining.

NOTICE

* Please make sure that you have all parts indicated before you begin assembly of this item

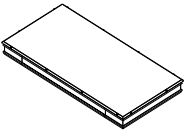

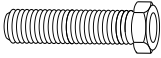

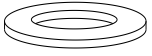

* This item should be assembled on a soft surface to prevent scratching the finish during assembly

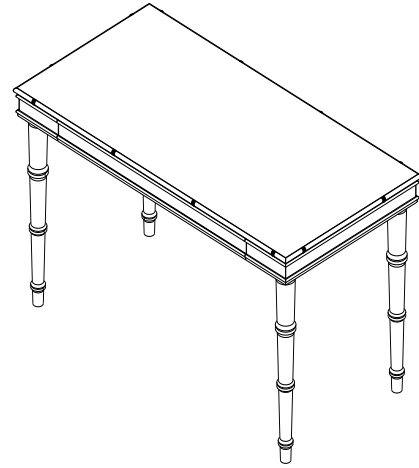
* This item may require periodic tightening

Part List and Hardware List

Model# DSK3500

Product Dimensions : 47.0"W x 23.5" D x 29.4" H

PIECE	DESCRIPTION	PICTURE	QUANTITY
A	TABLE TOP		1X
B	LEG		4X
H1	BOLT		8X
H2	SPRING WASHER		8X
H3	WASHER		8X
H4	WRENCH		1X

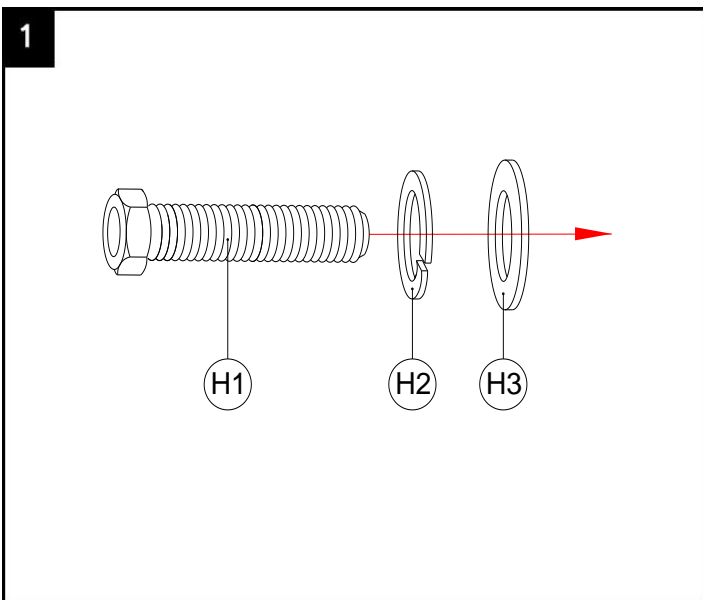


PREPARATION

Before beginning assembly of product, make sure all parts are present. Compare parts with package contents list and hardware contents list.

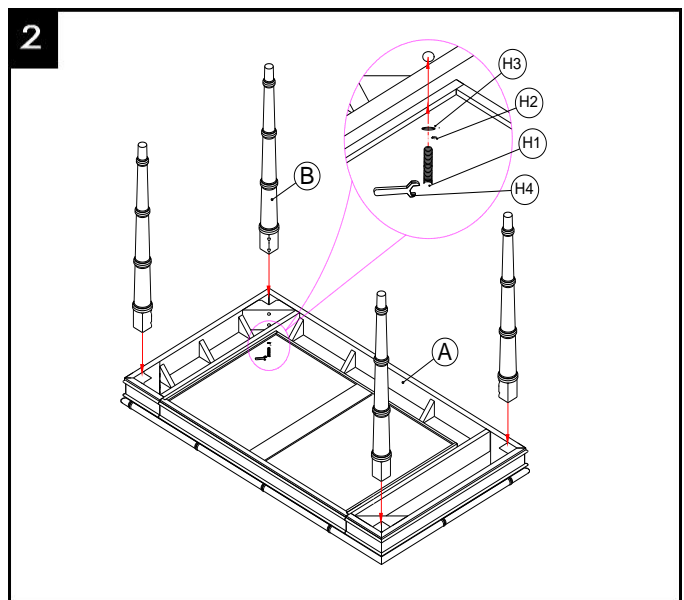
If any part is missing or damaged, do not attempt to assemble the product.

Estimated Assembly Time: 10 minutes.



Step 1

The Hardware needed to connect the legs (B) to the Table Top (A) are 8 Bolts (H1), Spring Washers (H2) and Washers (H3).



Step 2

Use Wrench (H4) to attach (4) Leg (B) to Table Top (A) with (8) Flat Washer (H3), Lock Washer (H2) and Bolt (H1). Fully tighten both Bolts

