

Kräus[®]

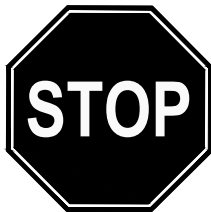
INSTALLATION MANUAL

Single Lever Pull Down Kitchen Faucet

KPF-2230

Congratulations on the purchase of your new Kraus plumbing fixture!

Please keep the box and packaging materials until your product is completely installed. If you have any questions, require technical assistance or have any problems with your product:



DO NOT RETURN TO STORE

**Please contact our Customer Service Team
1-800-775-0703 / customerservice@kraususa.com**

Have the model number available and retain a copy of your receipt with purchase date for reference.

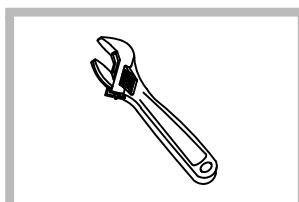
If for any reason this product does not meet your expectations, please be sure to repack this product in the original box and packaging material to avoid damage during transit.

Prior to Installation:

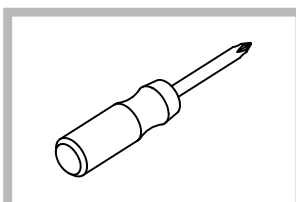
- Make sure you have all necessary parts by checking the diagram and parts list. If any part is missing or damaged, please contact Kraus Customer Service at 800-775-0703 for a replacement.
- Turn off the hot and cold water supply at the angle stops and turn on the old faucet to release any built up pressure. Remove existing faucet. Clean sink or countertop to remove any debris, plumber's putty, or silicone.
- Flush angle stops to release any debris prior to installation.
- Pre-drilled hole size requirement: 1 3/8" (min)
- Max countertop thickness without deck plate: 2"
- Max countertop thickness with deck plate: 1 1/2"
- 1, 2 or 3 hole installation

For technical assistance or replacement parts, please contact Kraus Customer Service and one of our representatives will be happy to help:
Toll-Free: 800-775-0703 or Customerservice@kraususa.com

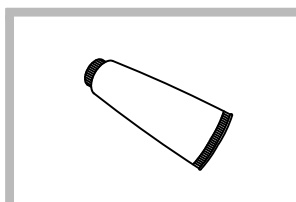
Tools Required



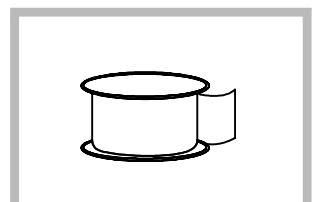
Adjustable Wrench



Phillips Screwdriver

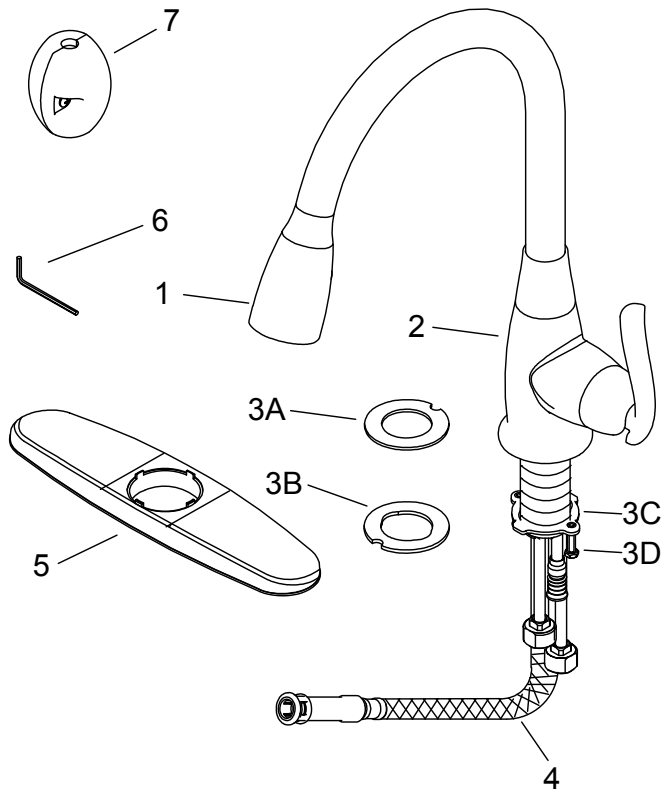


Silicone Sealant



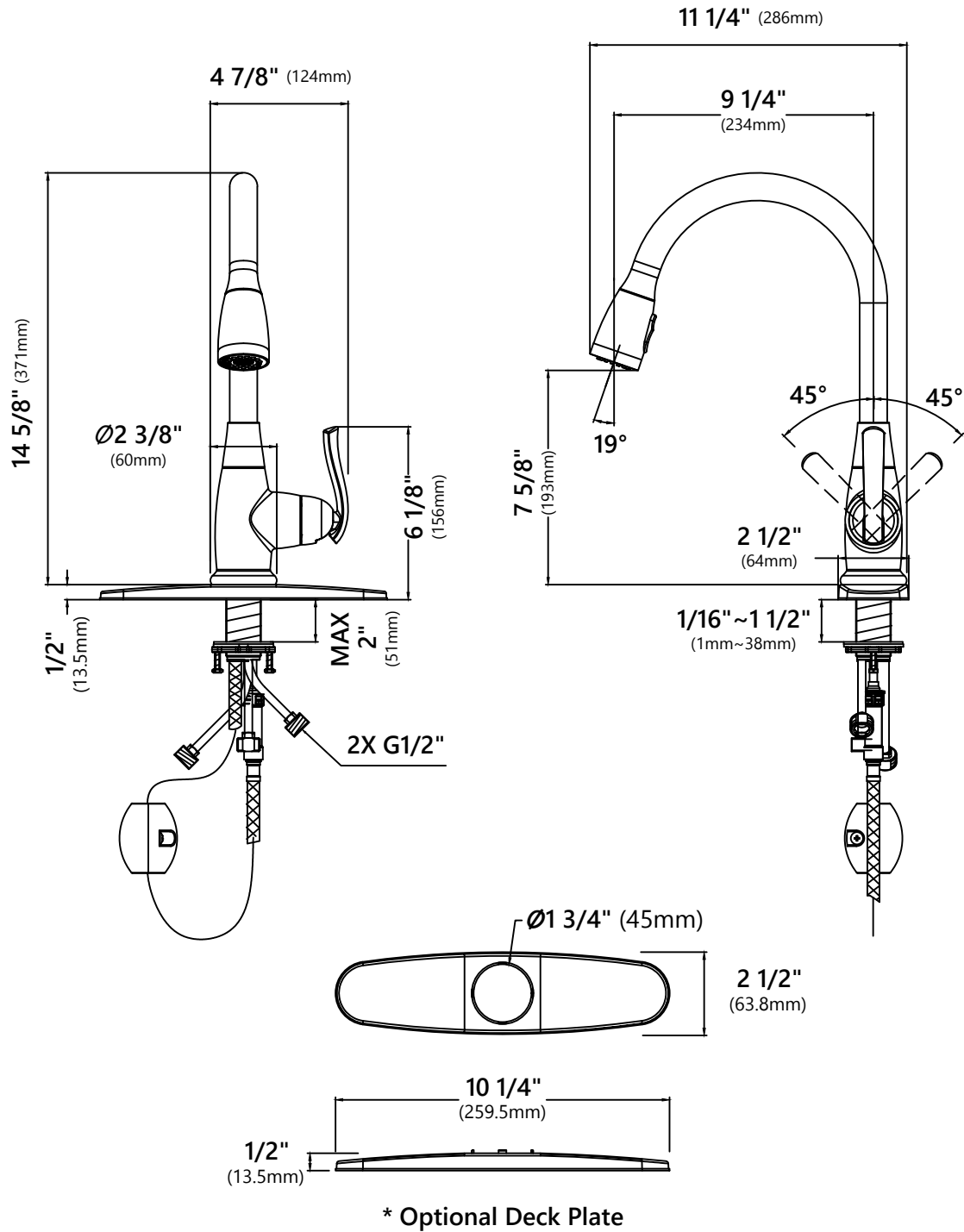
Pipe Tape

Diagram and Parts List



1. Spray Head
2. Faucet Assembly
3. Mounting Hardware
 - A. Rubber Washer
 - B. Metal Washer
 - C. Mounting Nut
 - D. Mounting Screws
4. Hose
5. Escutcheon
6. Hex Wrench
7. Weight

Faucet Dimensions

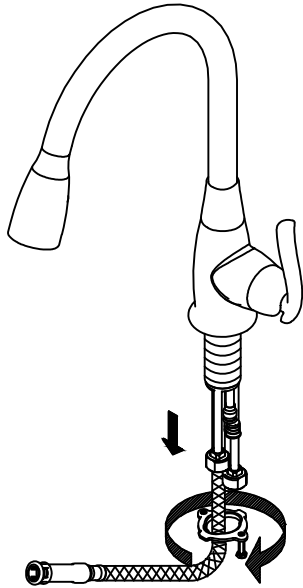


Installer Tip:

Shut off main water supply before installing new faucet.

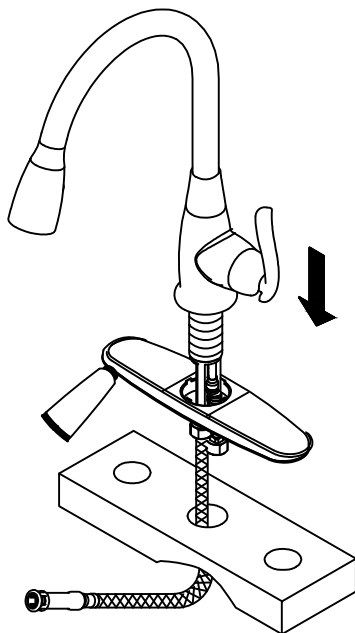
Step 1. Remove mounting hardware

Remove mounting hardware (3).

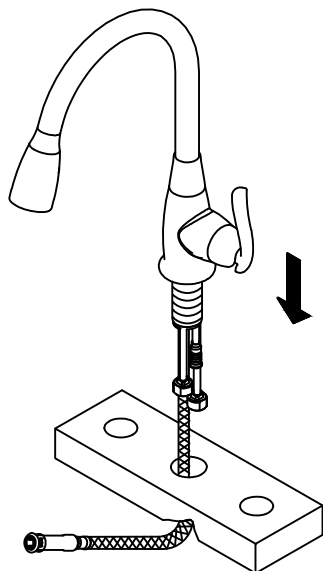


Step 2A. Installing the faucet with deck plate

For three-hole installation, deck plate (5), and silicone sealant are required.

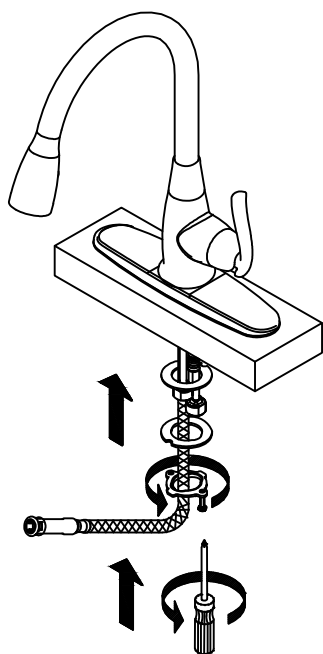


Step 2B. Installing the faucet without deck plate



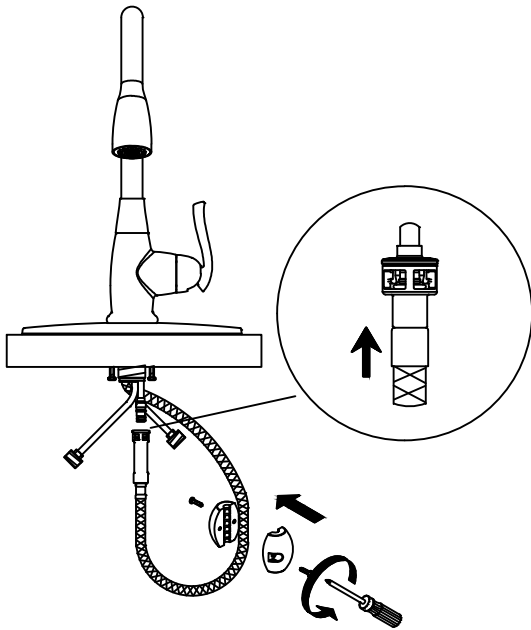
For single-hole installation, deck plate (5), and silicone sealant are **NOT** required.

Step 3. Install faucet and mounting hardware



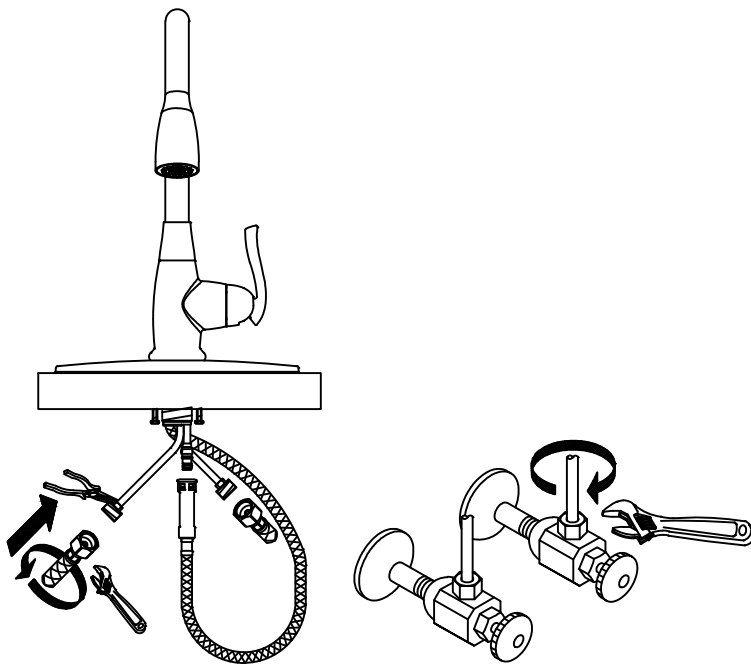
Insert the faucet body (2) into the hole on the countertop or deck plate assembly (5). Install rubber washer (3A), metal washer (3B), and mounting nut (3C) on the mounting pipe from underneath the countertop.

Step 4. Attach spray hose and counterweight



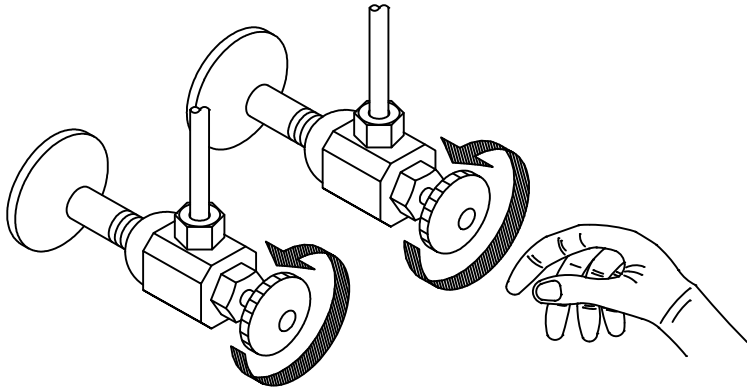
Remove the plastic seal cover from the outlet port prior to pushing the hose adapter onto the same port, you will hear a "click" sound once they are joined. Attach metal weight to hose to prevent hose from twisting and returns hose to proper position.

Step 5. Attach supply hose



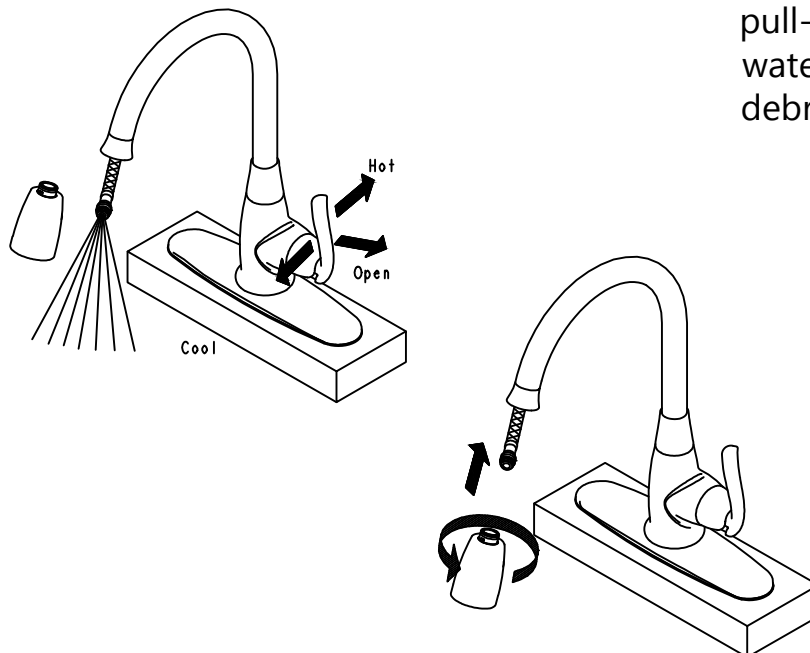
Tighten supply hose ends to faucet shank and water supply **source**. **Note:** Hand tighten the supply hose and then tighten 1/4 turn with adjustable wrench. Overtightening the supply hose can cause leaking. Purchase flexible supplies or bull-nose risers separately.

Step 6. Open water



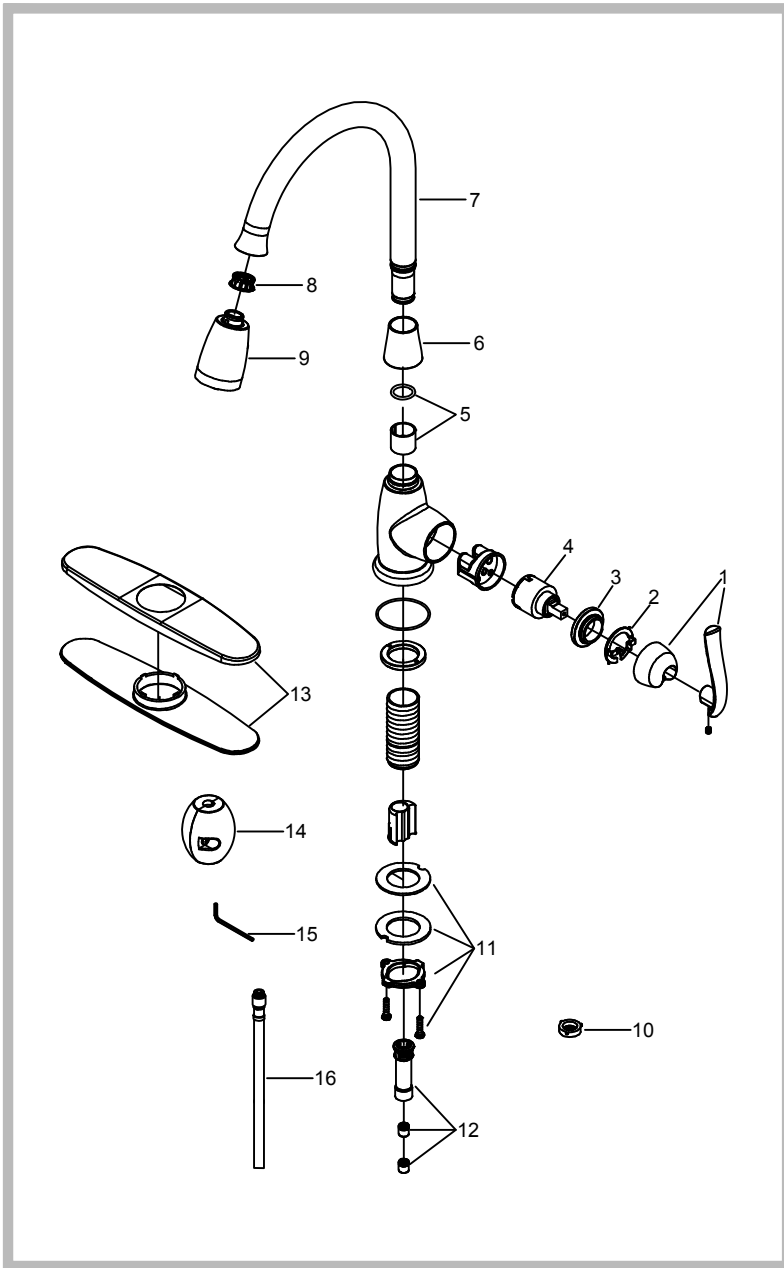
Open the water valve and check for leaks at supply line connection.

Step 7. Flush faucet



After installing faucet, remove pull-down spray and turn on water to remove any left over debris. Re-assemble spout.

Replacement Parts



Replacement Parts List	Finish/Color	Part #
1. Metal Handle Assembly	CH,SN,ORB*	KP07080
2. Cartridge Clip		KP07092
3. Locking Nut		KP07082
4. Cartridge		KP07182
5. Spout Seal Kit		KP07083
6. Spout Base	CH,SN,ORB*	KP07084
7. Spout	CH,SN,ORB*	KP07086
8. Hose Guide		KP07183
9. Spray Head	CH,SN,ORB*	KP07090
10. Screen Washer		KP07097
11. Mounting Hardware		KP07066
12. Quick Connect		KP07078
13. Escutcheon	CH,SN,ORB*	KP07098
14. Weight		KP07001
15. Hex Wrench 2.5mm		KP07024
16. Spray Hose		KP07093

*Denotes faucet component color options:
 CH - Chrome
 SN - Satin Nickel
 ORB - Oil Rubbed Bronze

Troubleshooting

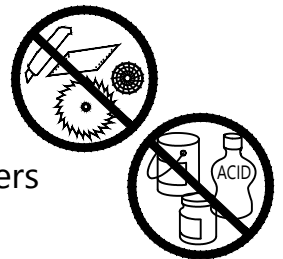
If you have followed the instructions carefully and your faucet still does not work properly, take the following corrective steps:

PROBLEM	CAUSE	ACTION
Leakage under faucet handle	Locking nut (4) has come loose	Remove index button (2A). Loosen the set screw (2B) with a hex wrench (9). Remove the handle (1) and unscrew cartridge cover (3) by hand. Tighten locking nut (4) with an adjustable wrench.
Water does not shut off completely	Cartridge may need to be adjusted or replaced.	Remove index button (2A). Loosen the set screw (2B) with a hex wrench (9). Remove the handle (1) and unscrew cartridge cover (3) by hand. Unscrew the locking nut (4) with an adjustable wrench. Remove ceramic disc cartridge (5). Check for cracks, and if O-ring is seated correctly. Reseat cartridge (5).
Leaking between spray head and the hose	Spray head may be loose.	Tighten spray head by hand until snug.
Hose does not retract	Weight may be installed incorrectly.	Readjust weight on hose.

Care & Maintenance

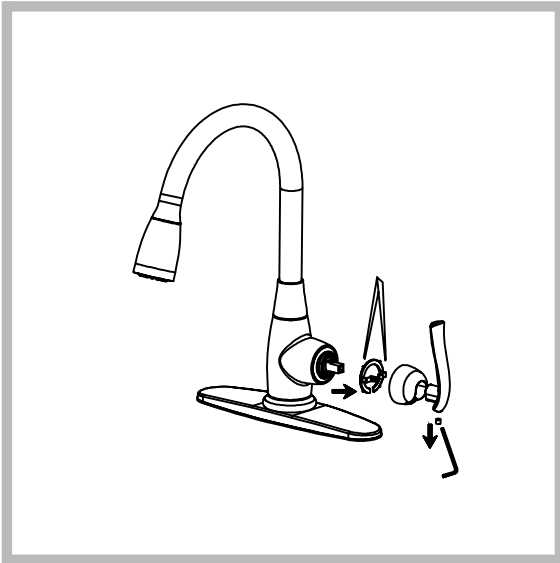
To keep the product clean & shining, follow the steps below:

1. Rinse with clean water & dry with a soft cloth
2. Do not clean with soaps, acid, polish, abrasives or harsh cleaners
3. Do not use cloth with a coarse surface
4. Unscrew the aerator and clean when necessary

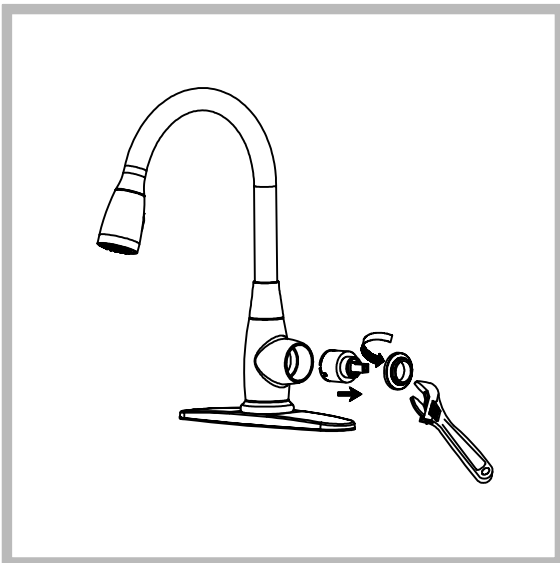


This installation manual is subject to change without further notice.

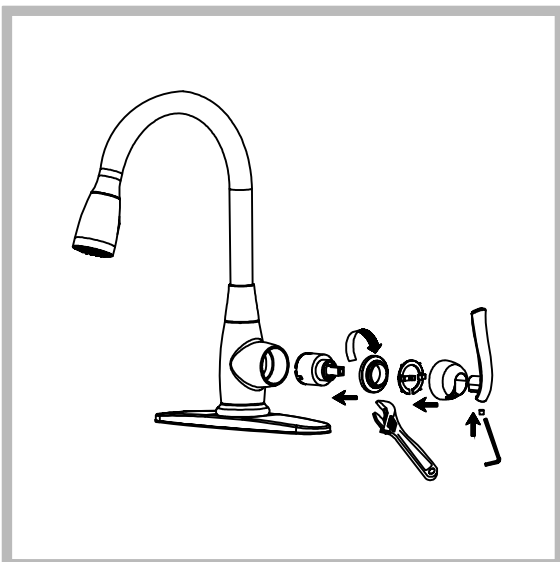
Maintenance - Cartridge Replacement



Step 1: Remove the handle button from the handle. Loosen the set screw with a hex wrench. Remove the handle and unscrew cartridge cover by hand.



Step 2: Unscrew the locking nut with an adjustable wrench. Remove ceramic disc cartridge.



Step 3: Place the new cartridge in the handle seat. Secure the cartridge with the locking nut and assemble the handle.

Codes/Standards Applicable:



ASME A112.18.1
1.8GPM 6.8L/min maximum

FAUCET WARRANTY

Kraus products are manufactured and tested to the highest quality standards by Kraus USA Inc. ("Kraus").

Kraus extends this warranty to the original purchaser for personal household use of the "Faucet" in its original location. The warranty is non-transferable.

Kraus warrants the structure and finish of the product to be free from defects in material and workmanship under normal usage for the lifetime of the product. The warranty commences from the initial date of purchase by the owner or trade professional, from an authorized Kraus dealer, through the lifetime of the original owner or end-user.

Kraus warrants the mechanical components such as but not limited to sprayhead assembly (includes engine, aerators, structure, restrictors, back flow preventers, sprayer hoses, braided supply line hoses which encompasses nylon, silicon and stainless steel, etc) of the product to be free from defects in material and workmanship under normal usage for a period of one (1) year. The warranty commences from the initial date of purchase by the owner or trade professional, from an authorized Kraus dealer, through the one (1) year term of the original owner or end-user.

Kraus warrants the mechanical component (cartridge) of the product to be free from defects in material and workmanship under normal usage for a period of five (5) years. The warranty commences from the initial date of purchase by the owner or trade professional, from an authorized Kraus dealer, through the five (5) year term of the original owner or end-user.

Any product reported to the authorized dealer or to Kraus as being defective within the warranty period will be repaired or replaced with a product of equal value at the option of Kraus. This warranty extends to the original owner or end-user, and is not transferable to a subsequent owner.

RESTRICTIONS

This warranty does not cover antediluvian, discontinued, or display products, whether such items are purchased at discount outlets, unauthorized dealers, and/or sold on clearance.

This warranty does not cover instances of negligence, misuse, abuse, improper installation, carelessness, accident, hard water or mineral deposits, exposure to corrosive materials, misapplication, damages caused by improper maintenance, alteration of the product, or failure to follow care or installation instructions enclosed with your product. Avoid using abrasive cleaners such as powders, bleach, ammonia, alcohol, or chlorine. Avoid using abrasive pads, steel wool, or wire brushes, as these will damage and wear down the finish.

This warranty does not apply to Products that have not been installed or operated in accordance with instructions supplied by Kraus and all applicable rules, regulations, and legislation pertaining to such installations.

This warranty does not apply unless the Kraus product is installed by a fully insured and licensed trade professional. Kraus insists that such professionals have experience in the installation of bathroom and kitchen manufactured goods.

This warranty does not cover labor charges or costs of removal and reinstallation of said product. This warranty does not allow recovery of incidental or consequential damages, such as loss of use, delay, property damage, or other consequential damages, and Kraus accepts no liability for such damages.

This warranty does not cover Marine or Outdoor Installation.

Except as otherwise provided above, Kraus makes no warranties, expressed or implied, including warranties of merchantability and fitness for a particular purpose, or compliance with any code.

Shipping charges will be covered for the first (1) year of the warranted replacement part or product (HI, AK, and Puerto Rico shipping charges may apply). International shipping fees are not included.

COMMERCIAL WARRANTY

Kraus extends the above warranty for a period of one (1) year to purchasers of products for industrial, commercial, and business use.

All incidental or consequential damages are specifically excluded. No additional warranties, express or implied, are given, including but not limited to any implied warranty of merchantability or fitness for a particular purpose.

Some states do not allow the exclusion or limitation of incidental or consequential damages or limitations on how long an implied warranty lasts, so the above limitations or exclusions may not apply to you.

This warranty gives you specific legal rights, and you may also have other rights which vary from state to state.

KRAUS USA has the right to change, modify, and/or update the warranty policy at any time. For the latest, most up to date comprehensive warranty, go to www.kraususa.com/warranty

If you are a homeowner please contact a Kraus Customer Service Representative at:

Kraus USA, Inc.
12 Harbor Park Drive
Port Washington, NY 11050
Toll-free 800-775-0703
Customerservice@kraususa.com

If you are a plumbing contractor or trade professional please contact a Kraus Pro Representative at:

Kraus USA, Inc.
12 Harbor Park Drive
Port Washington, NY 11050
516-801-8955
Proservice@kraususa.com

If you are an Authorized Partner please contact a Partner Support Representative at:

Kraus USA, Inc.
12 Harbor Park Drive
Port Washington, NY 11050
516-801-8954
Partnersupport@kraususa.com

In requesting warranty service, please be ready to provide:

1. Proof of purchase.
2. A description of the problem.

Download the Kraus Care & Maintenance Guide at:
<http://www.kraususa.com/maintenance>

IMPORTANT

Register Your Kraus Product

Activate Your Warranty

Access Premium Customer Support

Get Product Information

REGISTER TODAY

<http://www.kraususa.com/registration>



Kräus[®]
www.kraususa.com