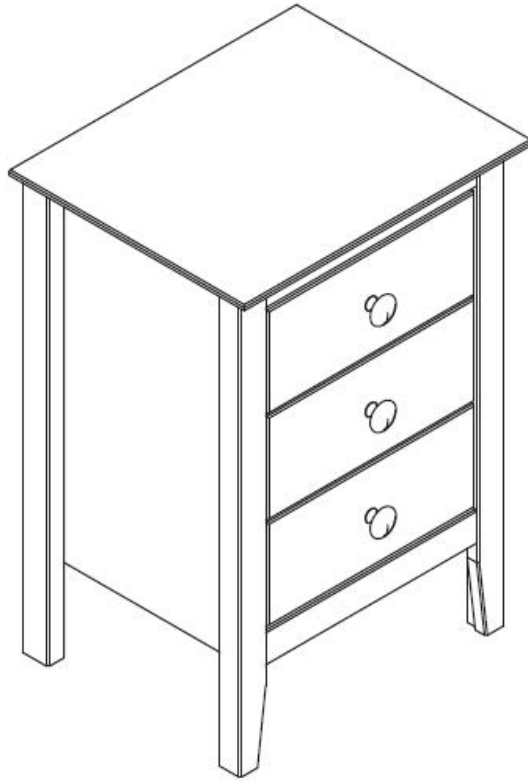


# ADEPTUS<sup>®</sup>

## ASSEMBLY INSTRUCTIONS

### Easy Pieces Three Drawer End Table / Nightstand

#### #77245 - Espresso Finish



#### **CUSTOMER SERVICE AND REPLACEMENT PARTS:**

FOR FASTER SERVICE ON PARTS OR HELP, PLEASE GO TO OUR WEBSITE AT [WWW.ADEPTUS.COM](http://WWW.ADEPTUS.COM);  
OR CALL TOLL FREE 1.888.ADEPTUS (1.888.233.7887) FOR ASSEMBLY QUESTIONS.  
MON-FRI 10 A.M. TO 4 P.M. E.S.T., CLOSED HOLIDAYS

#### **IF YOU CALL, PLEASE HAVE ON HAND:**

- PRODUCT NAME AND STOCK NUMBER
- WHEN AND WHERE THE UNIT WAS PURCHASED
- P.O. NUMBER FROM THE BOTTOM OF THIS PAGE

IF WE ARE BUSY HELPING OTHER CUSTOMERS, PLEASE LEAVE YOU NAME AND NUMBER  
TO RECEIVE A RETURN CALL.

YOUR RETAILER MAY ALSO PROVIDE SERVICE OR PARTS.

#### **HELPFUL OVERALL:**

- SAVE THESE INSTRUCTION SHEETS AND THE BOX UNTIL YOU ARE SATISFIED WITH THE ASSEMBLY.
- DO NOT GLUE THE PARTS OF THE UNIT TOGETHER UNLESS YOU HAVE TESTED THE ASSEMBLY FIRST.
- PERFORM THE ASSEMBLY ON A CLEAN HARD SURFACE USING THE FLATTENED CARTON OR A TOWEL TO PROTECT THE SURFACE AND THE FINISH OF THE UNIT. DO NOT ASSEMBLE ON CARPET.

**VISIT [WWW.ADEPTUS.COM](http://WWW.ADEPTUS.COM) TO REGISTER YOUR PRODUCT AND SEE THE COMPLETE ADEPTUS LINE. REGISTRATION IS REQUIRED FOR PARTS REQUESTS.**

**THANK YOU FOR YOUR PURCHASE AND WELCOME TO ADEPTUS!**

NOTICE: THE WRITTEN INSTRUCTIONS CONTAINED HEREIN ARE COPYRIGHTED.  copyright all rights reserved

# Many People, One Thought

PROVIDING QUALITY SOLID WOOD FURNITURE AT AN AFFORDABLE PRICE HAS BEEN A GROUP EFFORT. FROM CONCEPT TO PRODUCT DESIGN, MANUFACTURING AND RETAILING, EACH AREA FOCUSES ON THE DETAILS THAT WILL ASSURE YOU A LOW PRICE. BUT NEVER AT THE EXPENSE OF FUNCTION, STYLING, OR GOOD SENSE.

A "READY - TO - ASSEMBLE" ITEM REDUCES TRANSPORTATION AND WAREHOUSING COSTS WHICH HELP YOUR RETAILER KEEP THEIR PRICES REASONABLE. NOW, YOU ARE JOINING "TEAM ADEPTUS" WITH THE FINAL STEP, ASSEMBLY.

• YOU ASSEMBLE, YOU SAVE •

**WELCOME TO ADEPTUS!**


---

## This is a **SOLID WOOD** product:

We inspect all wood, and follow guidelines to pass quality inspections. Solid wood furniture has knots, small cracks, and what may look like blemishes. These characteristics are a natural by product of producing furniture from natural material.

We take extra care with our drawer parts:

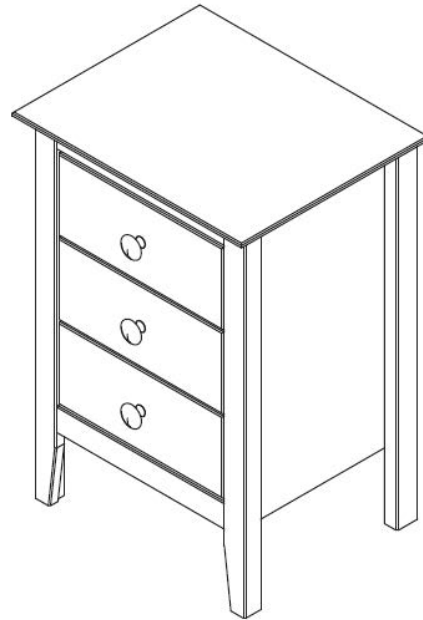
1. We use real wood drawers sides.
2. The drawer sides are not painted to help protect your clothes from chemical odors and residue.
3. Finely sanded drawer parts eliminate snags when storing your clothes.



**IMPORTANT**

Perform the entire assembly on a clean, hard surface using the flattened box or a towel to protect the surface and the unit's finish. **DO NOT** assemble on carpet.

Carpet creates too much bounce making assembly difficult and could lead to damage of the parts.



**PLEASE NOTE:**

**DOWELS (PART A) VARY EVER SO SLIGHTLY. IF A DOWEL (PART A) IS LOOSE, WE PREFER YOU CALL OUR TOLL FREE NUMBER FOR ADDITIONAL DOWELS - VS GLUING THE DOWEL.**

**IF YOU CHOOSE TO GLUE THE PARTS, COMPLETELY TEST THE ASSEMBLY FIRST. WE DO NOT SUPPLY GLUE.**

**Safety and Care Advice**

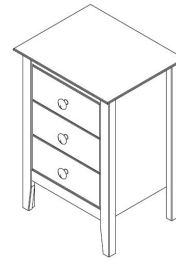
- Check you have all the components and tools listed on pages 3 & 4.
- Remove all fittings from the plastic bags and separate them into their groups.
- Keep children and animals away from the work area, small parts could choke if swallowed.
- Make sure you have enough space to layout the parts before starting.
- Do not stand or put weight on the product, this could cause damage.
- Assemble the item as close to its final position (in the same room) as possible.
- Opened box can be used to protect your floor or counter during assembly.
- Assembly is easier for drawer parts on a counter.
- Parts of the assembly will be easier with 2 people.
- We do not recommend the use of power drill/drivers for inserting screws, as this could damage the unit.
- Only use hand screwdrivers.
- Dispose of all packaging carefully and responsibly.
- Never sit, stand or allow children to climb on the assembled unit.

**These tools are not supplied by the manufacturer.**

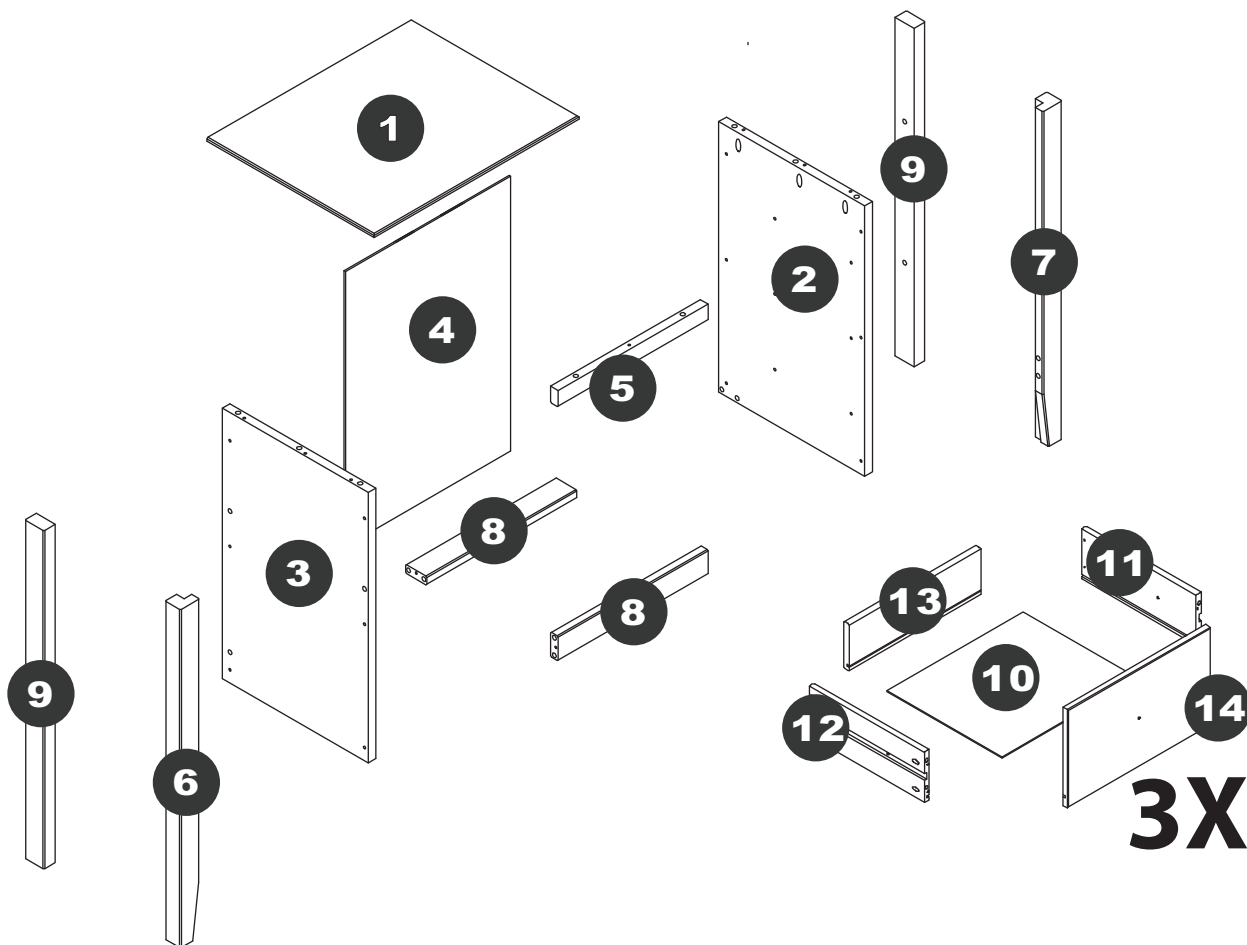
		 35 min	 Manual Phillips-head Screwdriver	 Hammer	 <b>No Power Tools!!</b>
--	--	------------	--	------------	-----------------------------

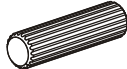



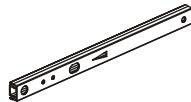
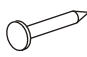


# Easy Pieces Three Drawer End Table / Nightstand

## #77245 - Espresso Finish



1	Top	6	Left front leg	11	Right drawer side
2	Right side panel	7	Right front leg	12	Left drawer side
3	Left side panel	8	Bottom crossbars	13	Drawer back
4	Back panel	9	Rear legs	14	Drawer front
5	Top crossbars	10	Drawer bottom		

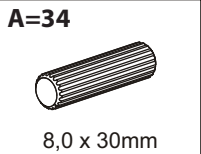
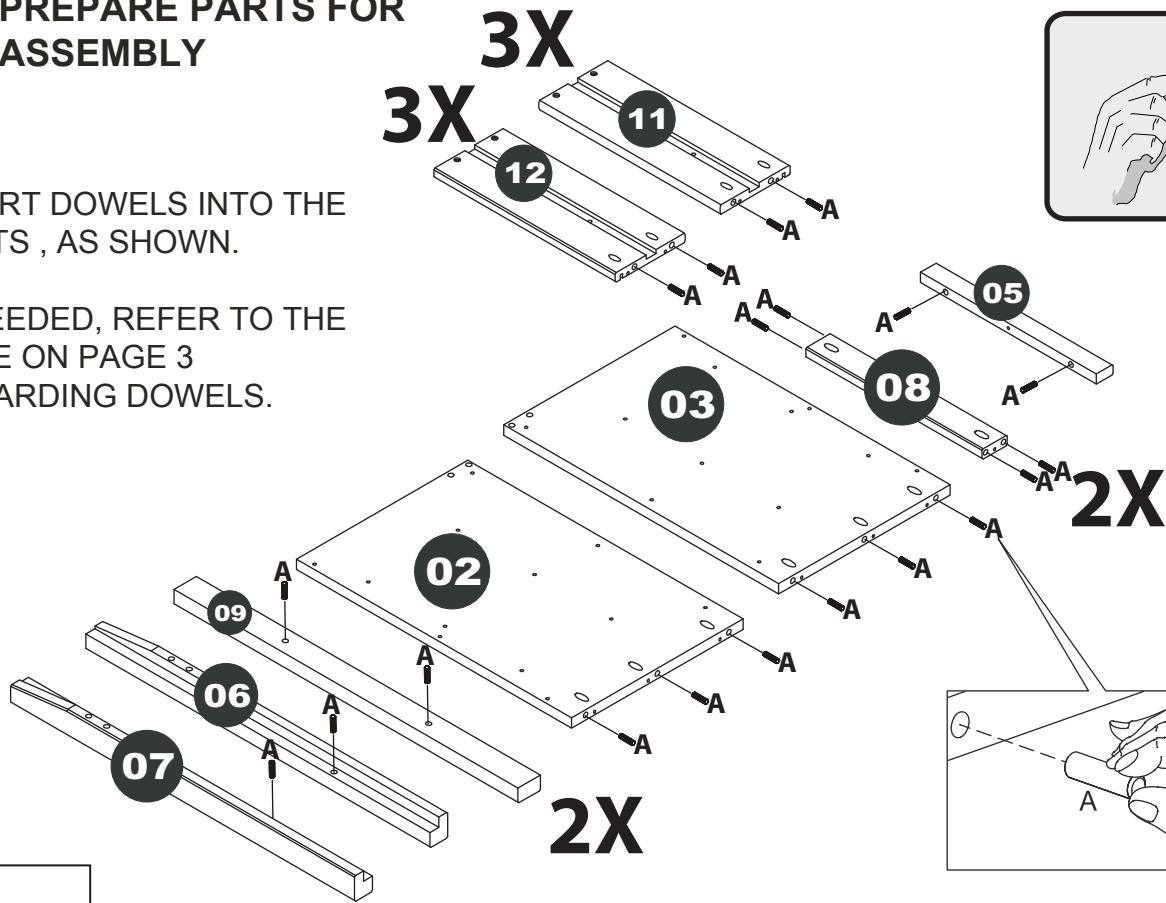


<b>A=34</b> DOWEL  8.0 x 30mm	<b>B=47</b> SCREW  3.5 x 30mm	<b>H=03</b> SCREW  M4 x 25mm	<b>D=12</b> SCREW  6.0 x 10mm	<b>E=06</b> RUNNER 
<b>F=15</b> BACK PANEL NAIL 	<b>G=06</b> SCREW  M4 x 11mm	<b>I=03</b> KNOB 		

# 1 PREPARE PARTS FOR ASSEMBLY

INSERT DOWELS INTO THE PARTS, AS SHOWN.

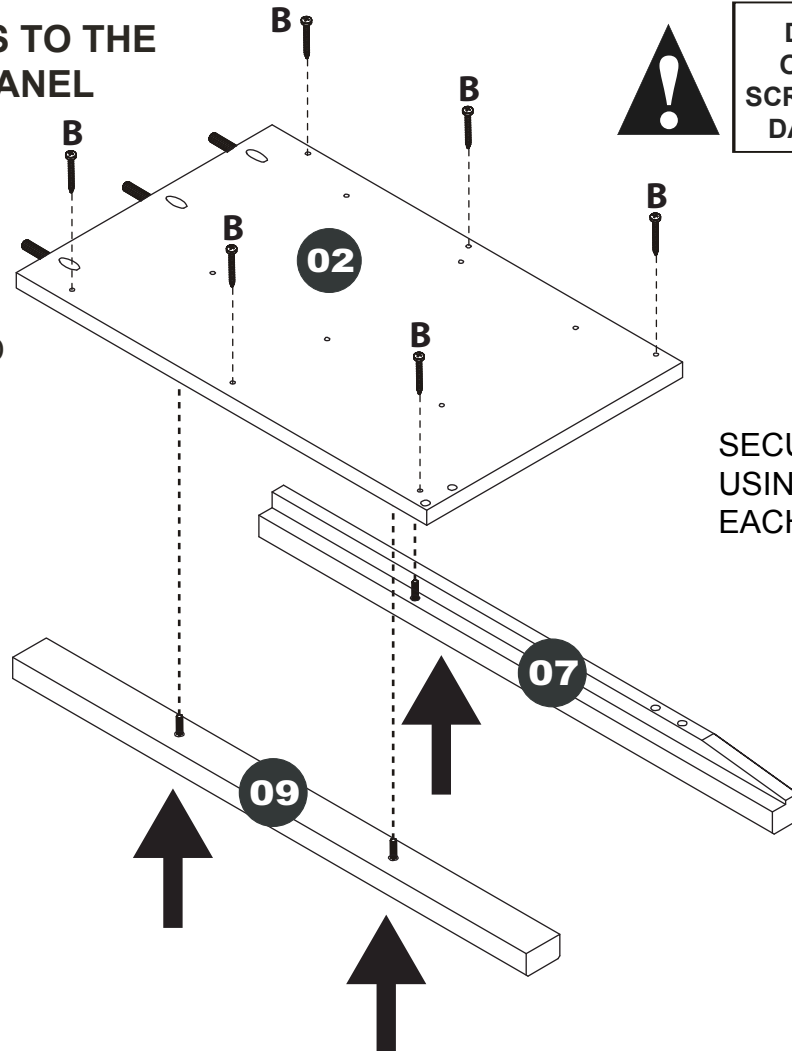
IF NEEDED, REFER TO THE NOTE ON PAGE 3 REGARDING DOWELS.



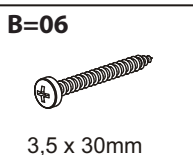
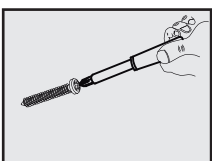
# 2 ATTACH LEGS TO THE RIGHT SIDE PANEL

ALIGN THE DOWELS IN THE RIGHT FRONT AND REAR LEGS WITH THE DOWEL HOLES IN THE RIGHT SIDE PANEL.

**DO NOT FORCE OR OVER-TIGHTEN THE SCREWS. DOING SO CAN DAMAGE THE PARTS.**



SECURE THE LEGS USING 3 SCREWS ON EACH LEG.

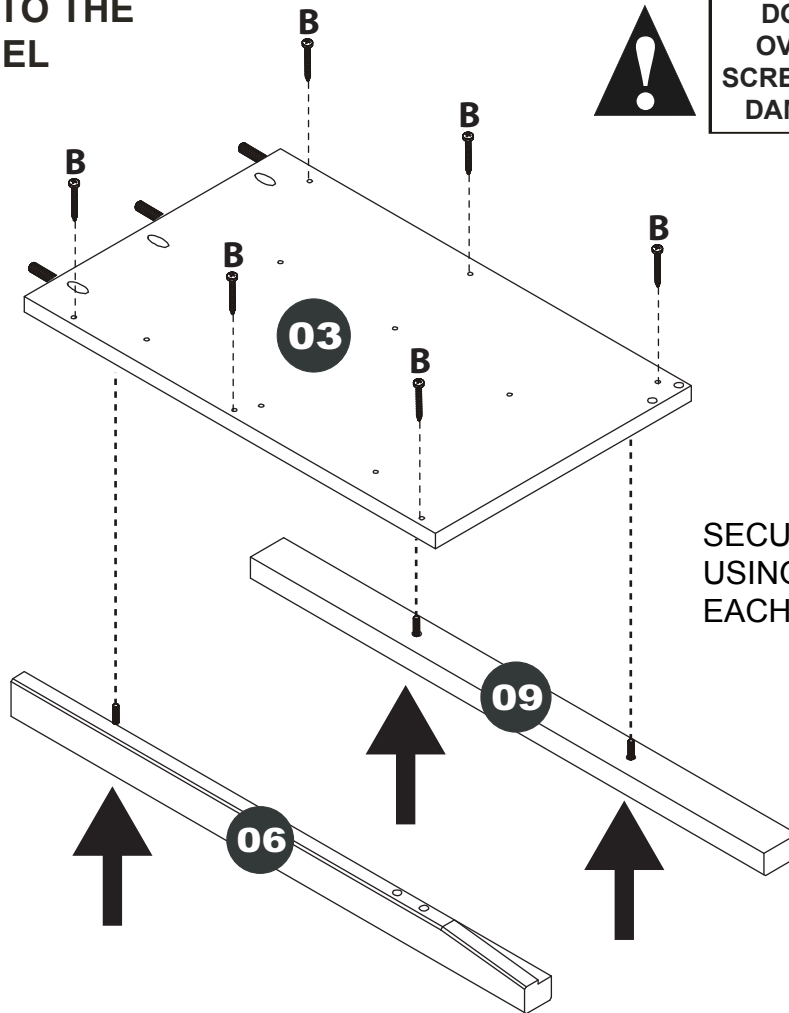


# 3

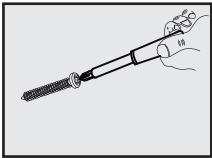
## ATTACH LEGS TO THE LEFT SIDE PANEL

**DO NOT FORCE OR OVER-TIGHTEN THE SCREWS. DOING SO CAN DAMAGE THE PARTS.**

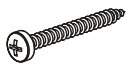
ALIGN THE DOWELS IN THE LEFT FRONT AND REAR LEGS WITH THE DOWEL HOLES IN THE LEFT SIDE PANEL.



SECURE THE LEGS USING 3 SCREWS ON EACH LEG.



B=06



3,5 x 30mm

# 4

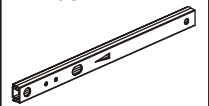
## ATTACH DRAWER RUNNERS TO THE LEFT SIDE PANEL

D=06

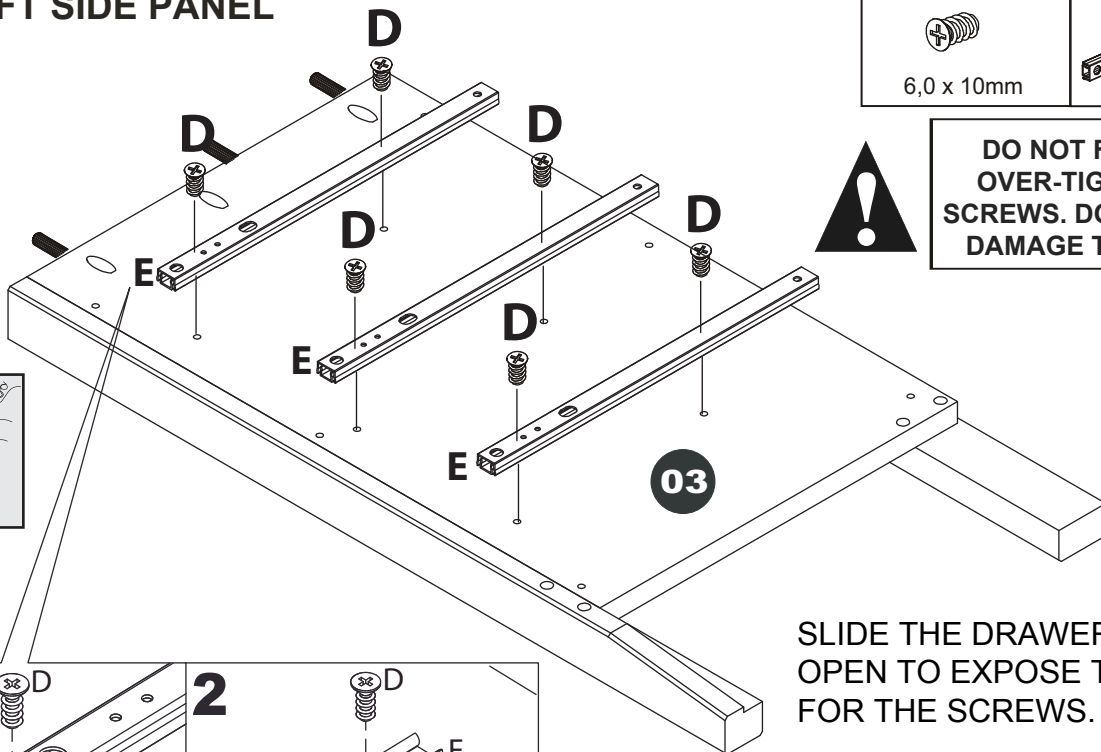
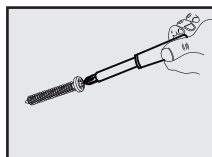


6,0 x 10mm

E=03

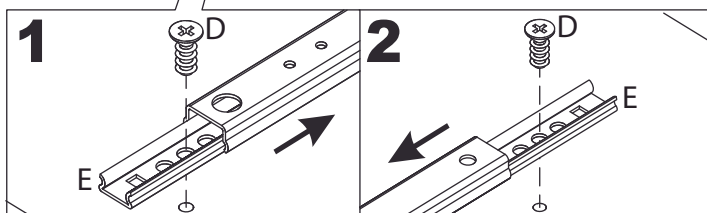


**DO NOT FORCE OR OVER-TIGHTEN THE SCREWS. DOING SO CAN DAMAGE THE PARTS.**



SLIDE THE DRAWER RUNNER OPEN TO EXPOSE THE HOLES FOR THE SCREWS.

SEE STEPS 1 & 2 IN THE ENLARGED DIAGRAM.

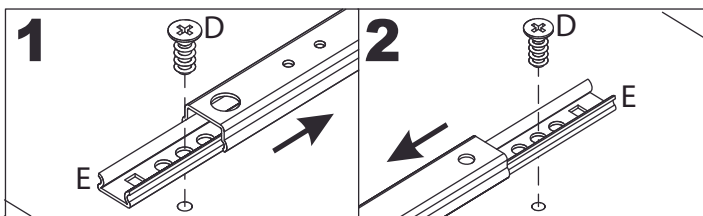


**IMPORTANT! SEE DESIGNATED HOLE FOR THE SCREW ABOVE.**

5

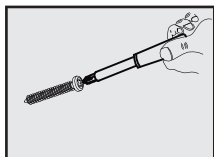
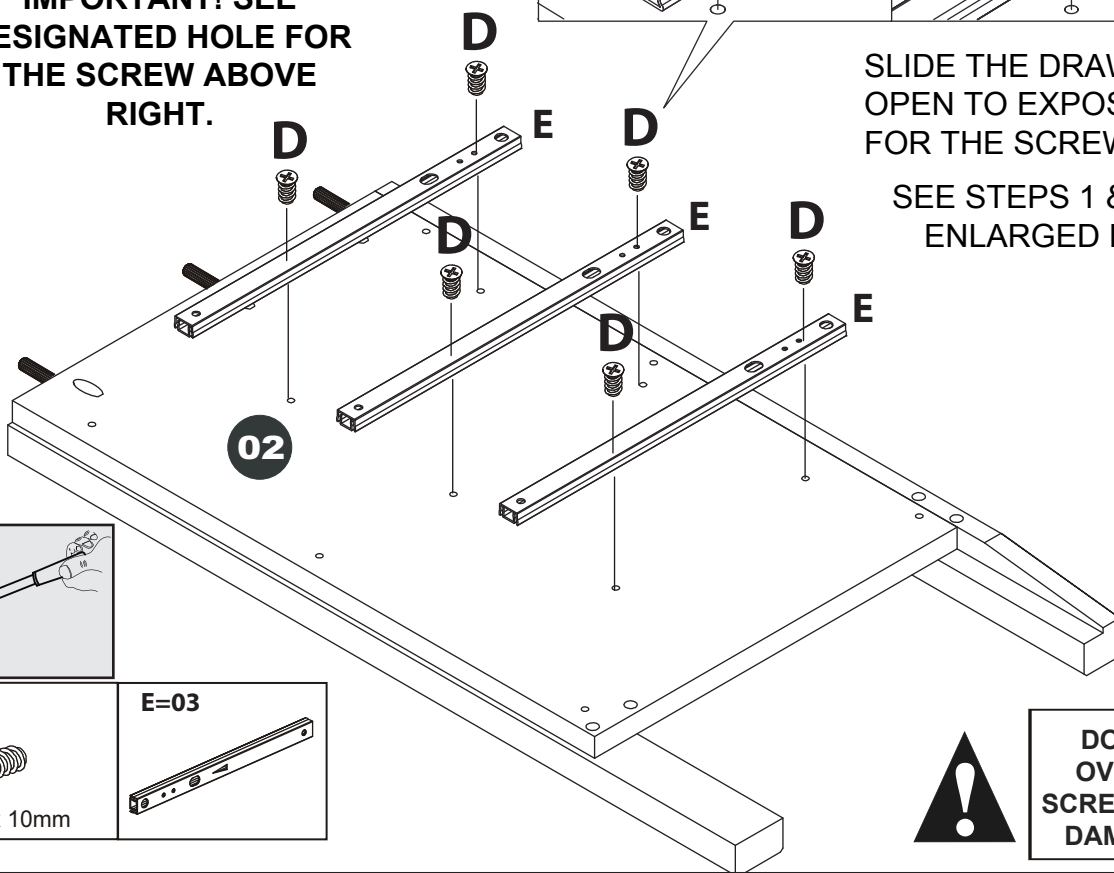
### ATTACH DRAWER RUNNERS TO THE RIGHT SIDE PANEL

**IMPORTANT! SEE DESIGNATED HOLE FOR THE SCREW ABOVE RIGHT.**



SLIDE THE DRAWER RUNNER OPEN TO EXPOSE THE HOLES FOR THE SCREWS.

SEE STEPS 1 & 2 IN THE ENLARGED DIAGRAM.

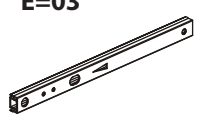


D=06

E=03



6,0 x 10mm



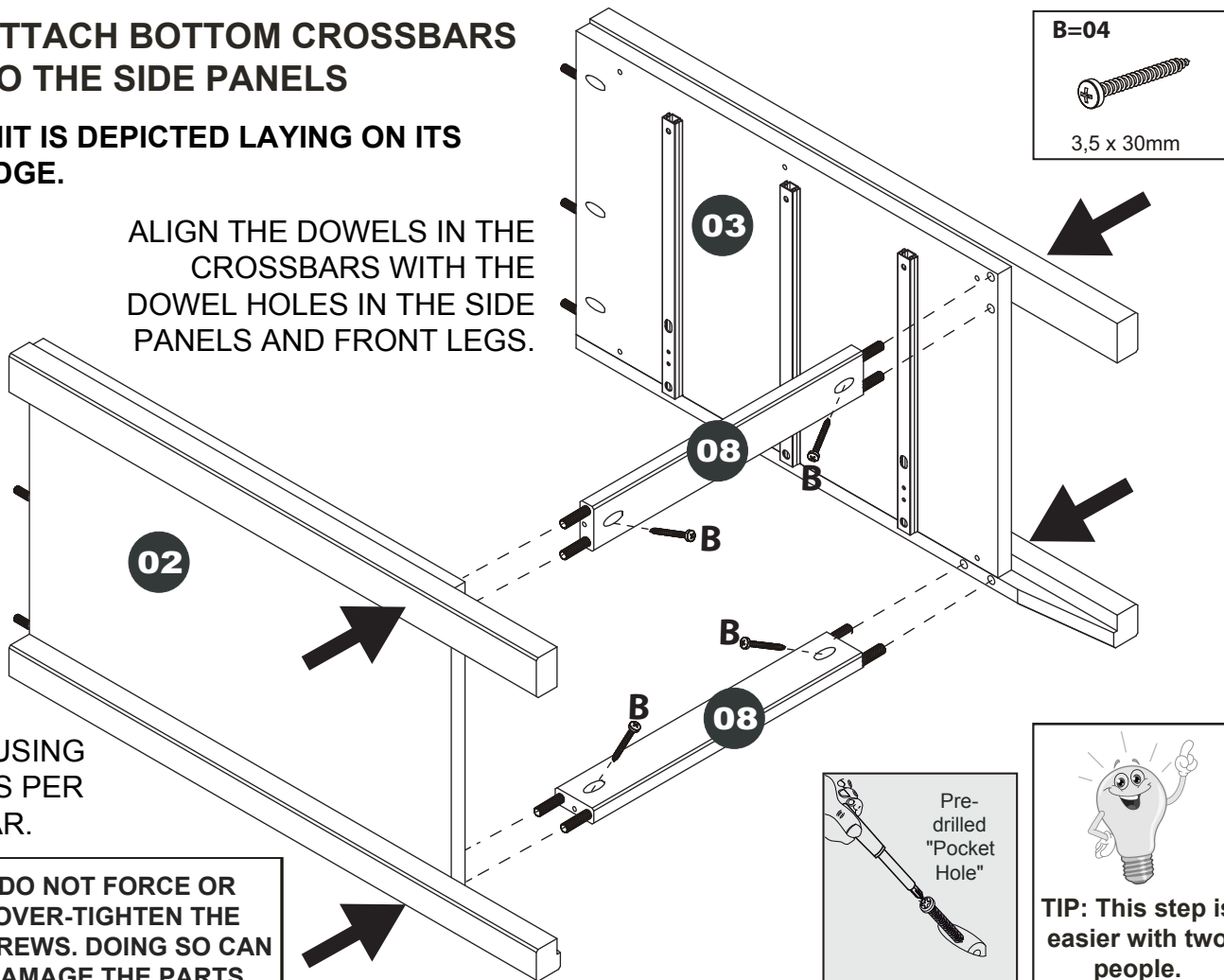
**DO NOT FORCE OR OVER-TIGHTEN THE SCREWS. DOING SO CAN DAMAGE THE PARTS.**

6

### ATTACH BOTTOM CROSSBARS TO THE SIDE PANELS

**NOTE: UNIT IS DEPICTED LAYING ON ITS FRONT EDGE.**

ALIGN THE DOWELS IN THE CROSSBARS WITH THE DOWEL HOLES IN THE SIDE PANELS AND FRONT LEGS.



B=04

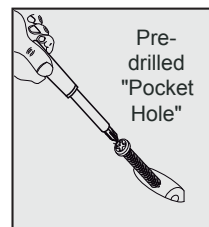


3,5 x 30mm

SECURE USING 2 SCREWS PER CROSSBAR.



**DO NOT FORCE OR OVER-TIGHTEN THE SCREWS. DOING SO CAN DAMAGE THE PARTS.**



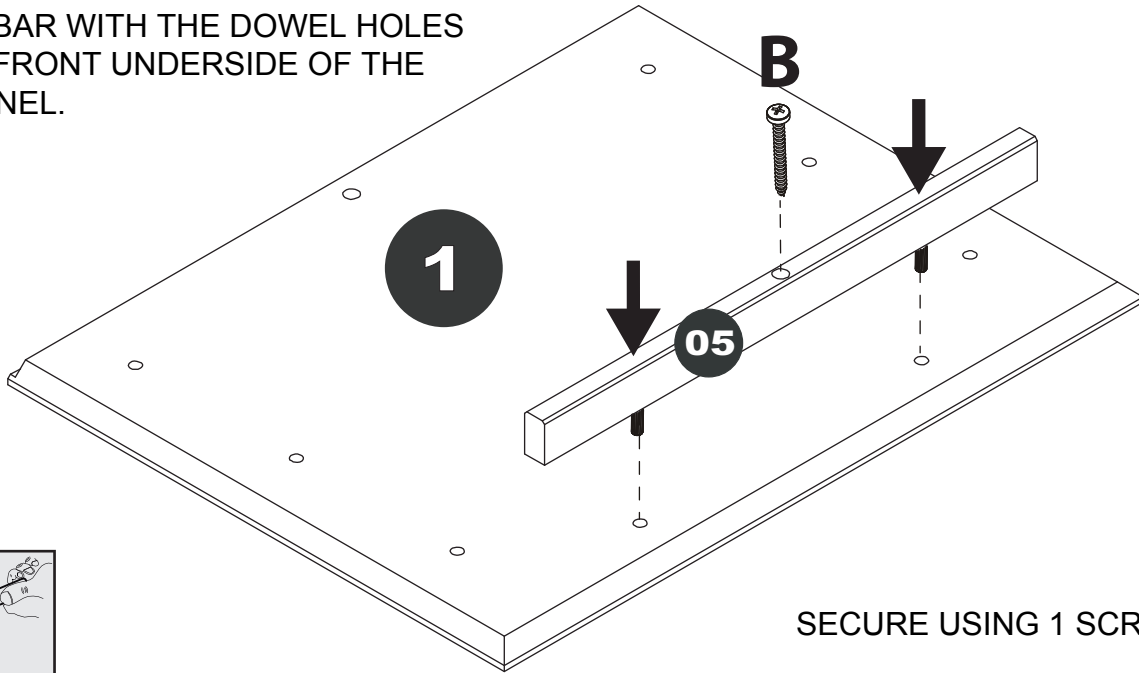
Pre-drilled "Pocket Hole"



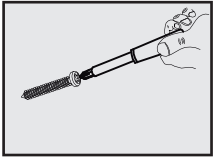
**TIP: This step is easier with two people.**

# 7 ATTACH THE TOP CROSSBAR

ALIGN THE DOWELS IN THE TOP CROSSBAR WITH THE DOWEL HOLES IN THE FRONT UNDERSIDE OF THE TOP PANEL.



SECURE USING 1 SCREW.



B=01



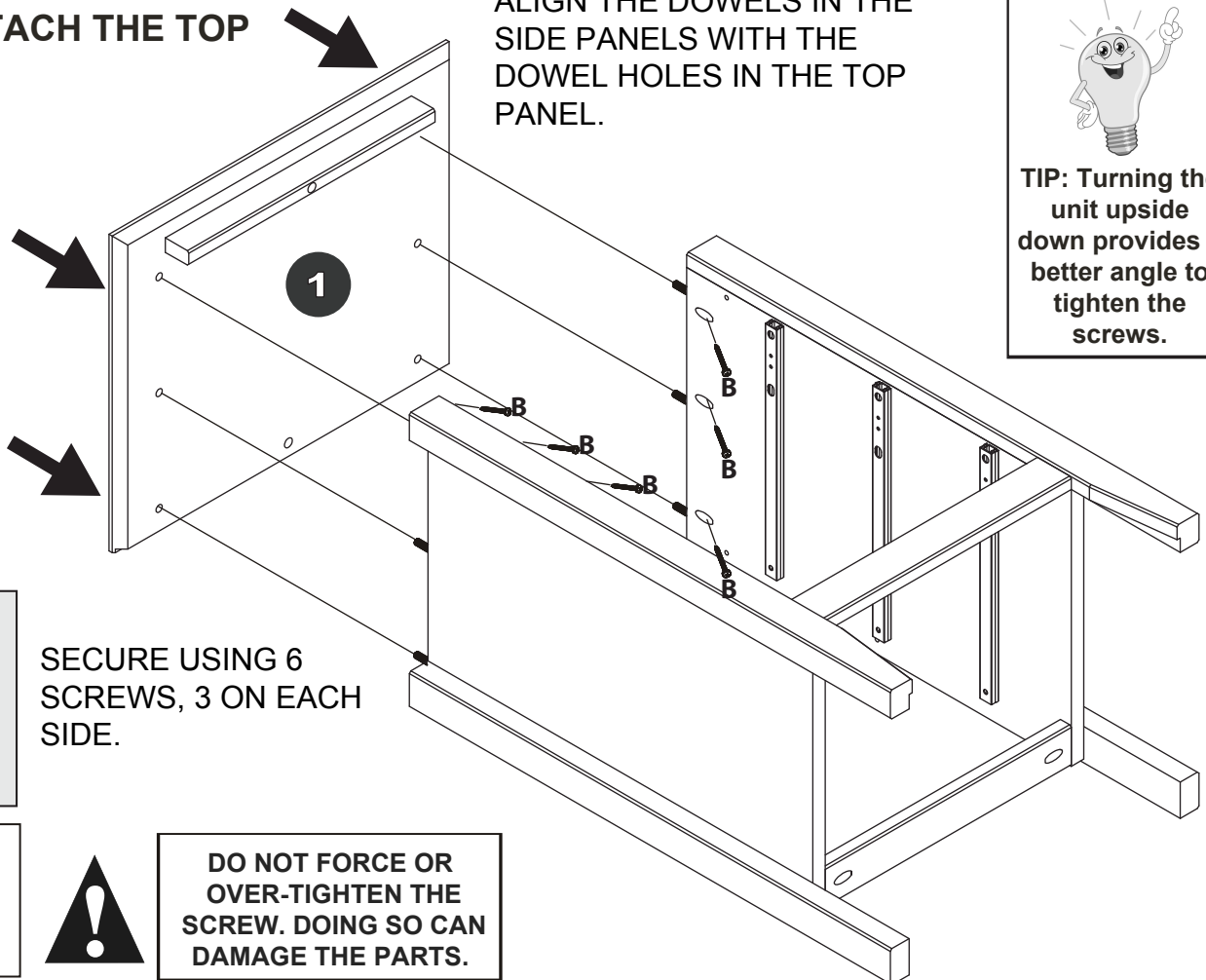
3,5 x 30mm




**DO NOT FORCE OR OVER-TIGHTEN THE SCREW. DOING SO CAN DAMAGE THE PARTS.**

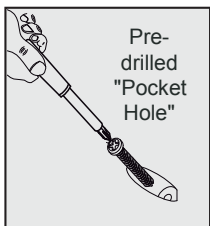
# 8 ATTACH THE TOP

ALIGN THE DOWELS IN THE SIDE PANELS WITH THE DOWEL HOLES IN THE TOP PANEL.



  
**TIP:** Turning the unit upside down provides a better angle to tighten the screws.

SECURE USING 6 SCREWS, 3 ON EACH SIDE.



Pre-drilled "Pocket Hole"

B=06



3,5 x 30mm

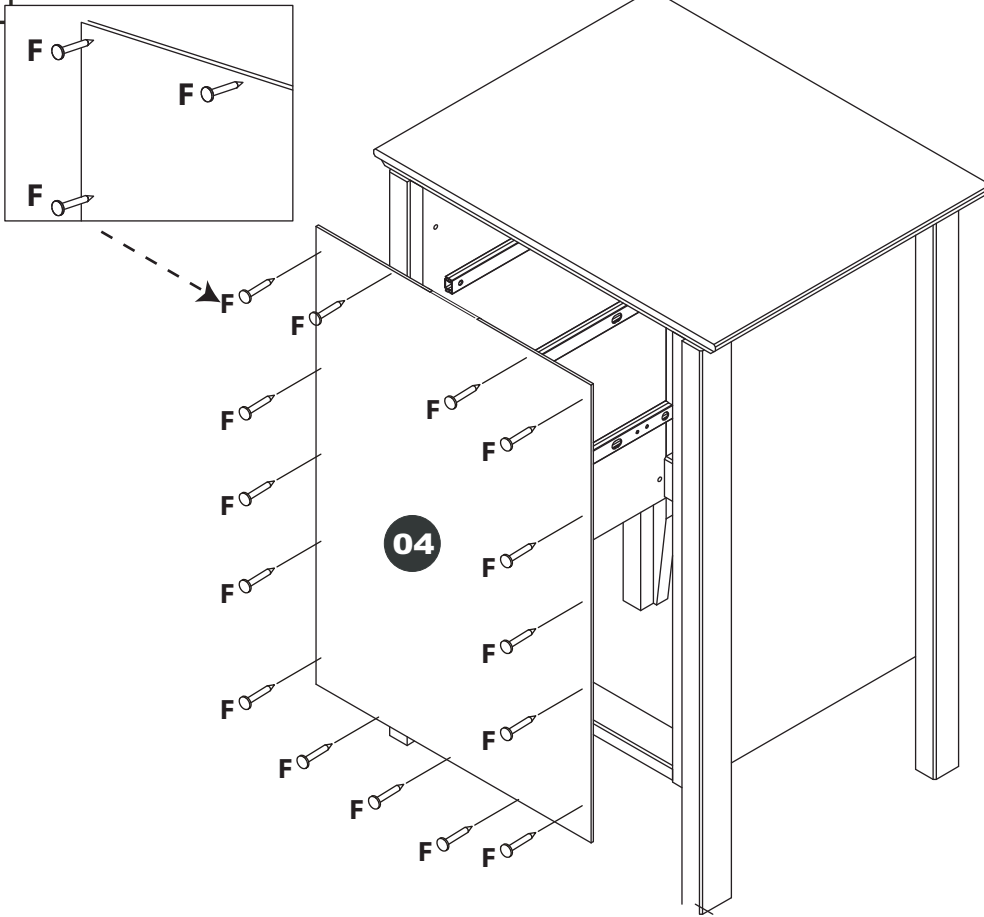


**DO NOT FORCE OR OVER-TIGHTEN THE SCREW. DOING SO CAN DAMAGE THE PARTS.**

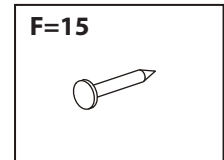
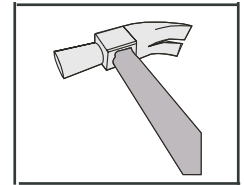


# 9

## ATTACH THE BACK PANEL



  
 Use all back panels nails. Evenly spaced, they help make the unit strong.




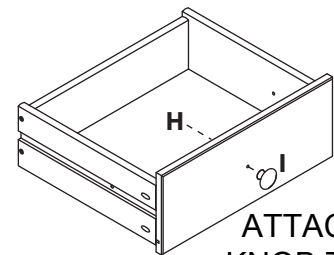
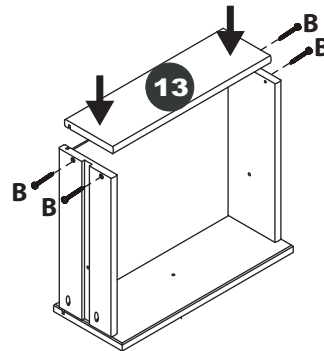
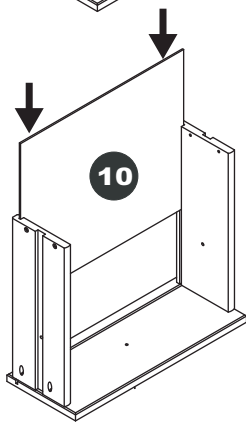
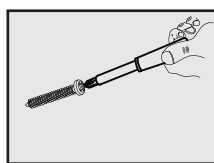
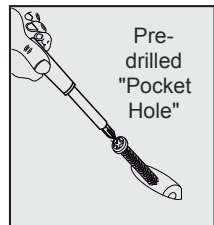
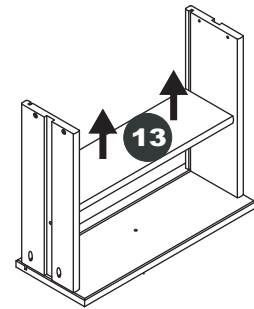
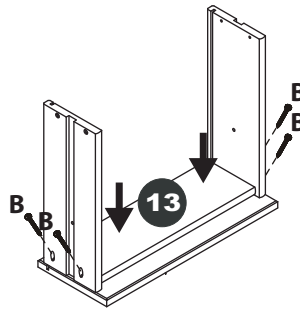
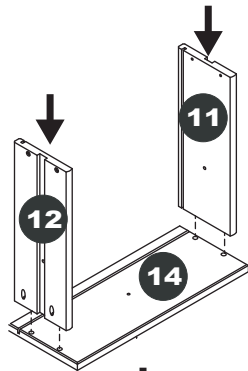
# 10

## ASSEMBLE THE DRAWERS

# 3x

**IMPORTANT! MAKE CERTAIN THE GROOVES IN THE DRAWER FRONT AND BOTH SIDES ALL ALIGN BEFORE TIGHTENING THE SCREWS.**

 To ensure "square" assembly, use the drawer back #13 to stabilize the sides. Pull out after sides are attached, and slide in the drawer bottom.



ATTACH THE KNOB TO THE DRAWER FRONT.

B=24



3,5 x 30mm

H=03



M4 x 25mm

I=03



**DO NOT FORCE OR OVER-TIGHTEN THE SCREWS. DOING SO CAN DAMAGE THE PARTS.**

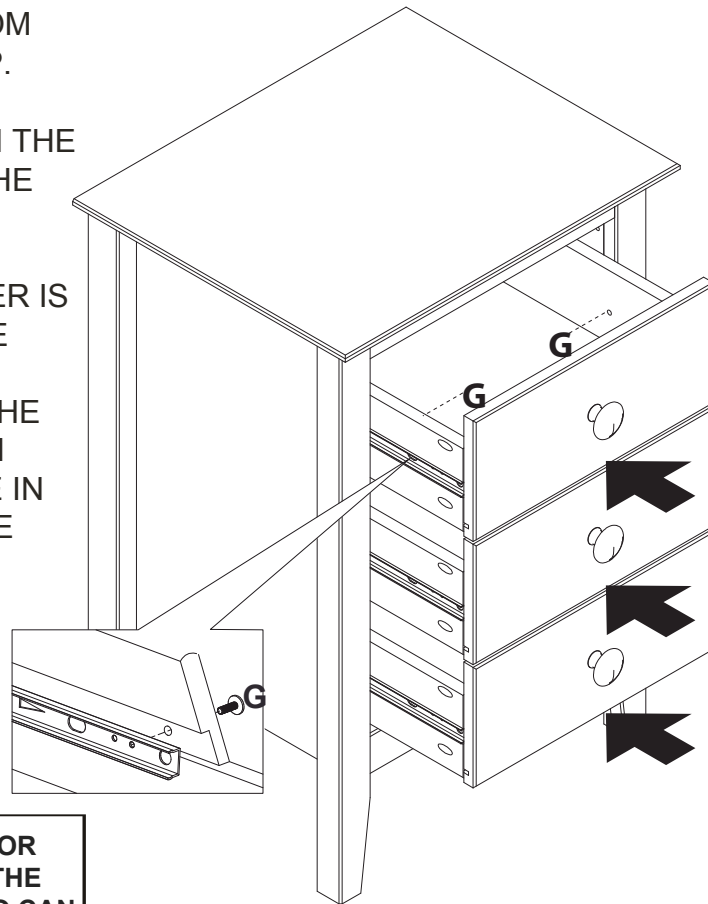
# 11

## INSTALL THE DRAWERS

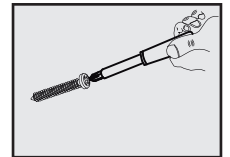
BEGIN WITH THE BOTTOM DRAWER AND WORK UP.

ALIGN THE GROOVES IN THE DRAWER SIDES WITH THE DRAWER RUNNERS.

MAKE SURE THE RUNNER IS POSITIONED INSIDE THE GROOVE SO THE DESIGNATED HOLE IN THE RUNNER LINES UP WITH THE PRE-DRILLED HOLE IN THE DRAWER SIDE. (SEE ENLARGED DIAGRAM.)



PUSH THE SCREW THROUGH THE DRAWER SIDE FROM THE INSIDE OF THE DRAWER INTO THE DRAWER RUNNER AND SECURE.



**DO NOT FORCE OR OVER-TIGHTEN THE SCREWS. DOING SO CAN DAMAGE THE PARTS.**

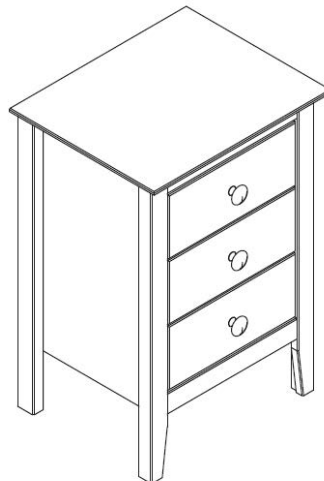
**G=06**



M4 x 10mm

**COMPLETED ASSEMBLY!**

**THANK YOU FOR YOUR PURCHASE, AND WELCOME TO ADEPTUS!**



### USE AND CARE INSTRUCTIONS:

#### CARE INSTRUCTIONS:

- NORMAL USE: WIPE WITH A CLEAN CLOTH.
- OR WHEN NEEDED TO CLEAN SCUFFS: WIPE CLEAN WITH A SLIGHTLY DAMP CLOTH AND A MILD CLEANER. THEN WIPE DRY WITH A CLEAN CLOTH. DO NOT USE HARSH CHEMICALS.
- FROM TIME TO TIME, CHECK THAT ALL OF THE SCREWS ON THE UNIT ARE STILL TIGHT.

#### USE:

- SMOOTH RUNNING, ROOMY DRAWERS FOR STORAGE OF BEDSIDE OR LIVING ROOM ITEMS.