

BEFORE YOU BEGIN YOUR INSTALLATION



Shut off water supply



Flush hot and cold water supply lines



Required tools



Installation by License Professional Plumber



Flush the water pipe before installation



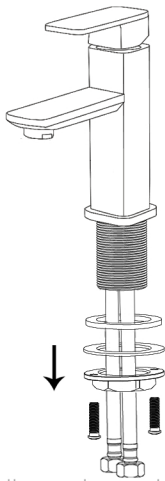
Drawings are for reference only



Do not disassemble the body

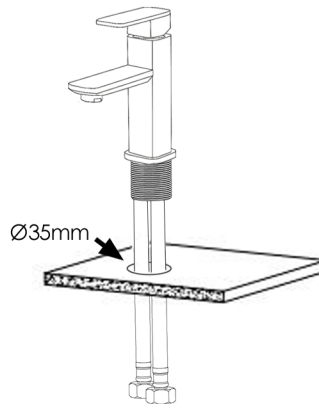
FAUCET INSTALLATION

1



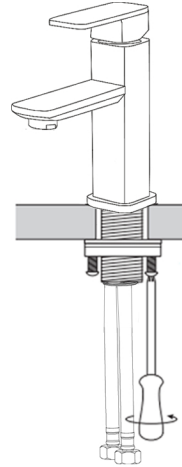
Remove the washer and mounting nut.

2



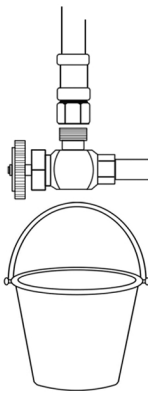
Ensure there is a $\varnothing 35\text{mm}$ through-hole on the counter. Position and insert faucet into faucet countertop hole.

3



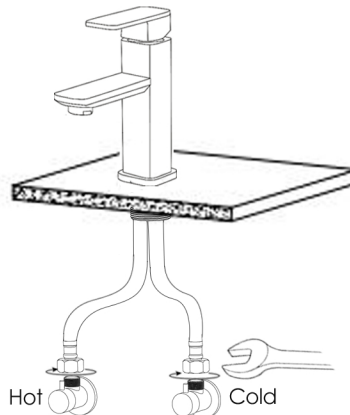
Tighten the mounting nut with the screws until faucet is firmly secure.

4



Before connecting supply hose, flush supply valves to clear any debris. Place a bucket underneath valves and run water for 5 to 10 seconds. Turn water off.

5



Connect hot and cold water lines to the inlet pipe and tighten with a wrench until snug. Do not over tight.

CARE AND CLEANING

Clean the faucet frequently using mild soap or an on-abrasive cleaner and then quickly rinse with water and dry with soft cloth only.

Using abrasive cleaners, solvents, acid cleaners or any scrubbing detergent, polisher or scraper will damage the finish and void the warranty.


WARRANTY

For additional technical assistance or for any questions or concerns about your faucet's warranty, please contact us.

 www.stylishkb.com

 care@stylishkb.com

www.stylishkb.com/warranty

 +1-855-789-5352