

# ASSEMBLY INSTRUCTION

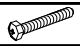



## 900 x 900MM

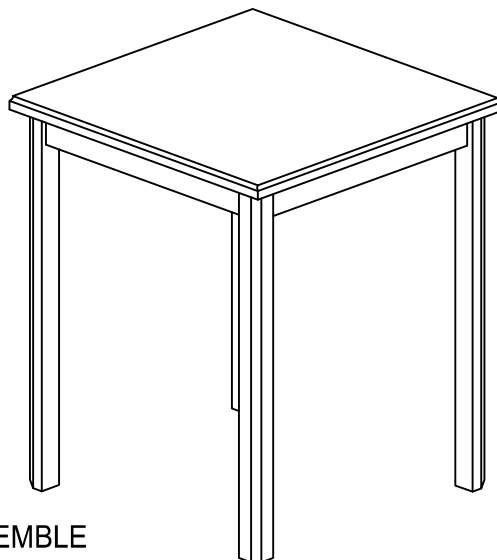
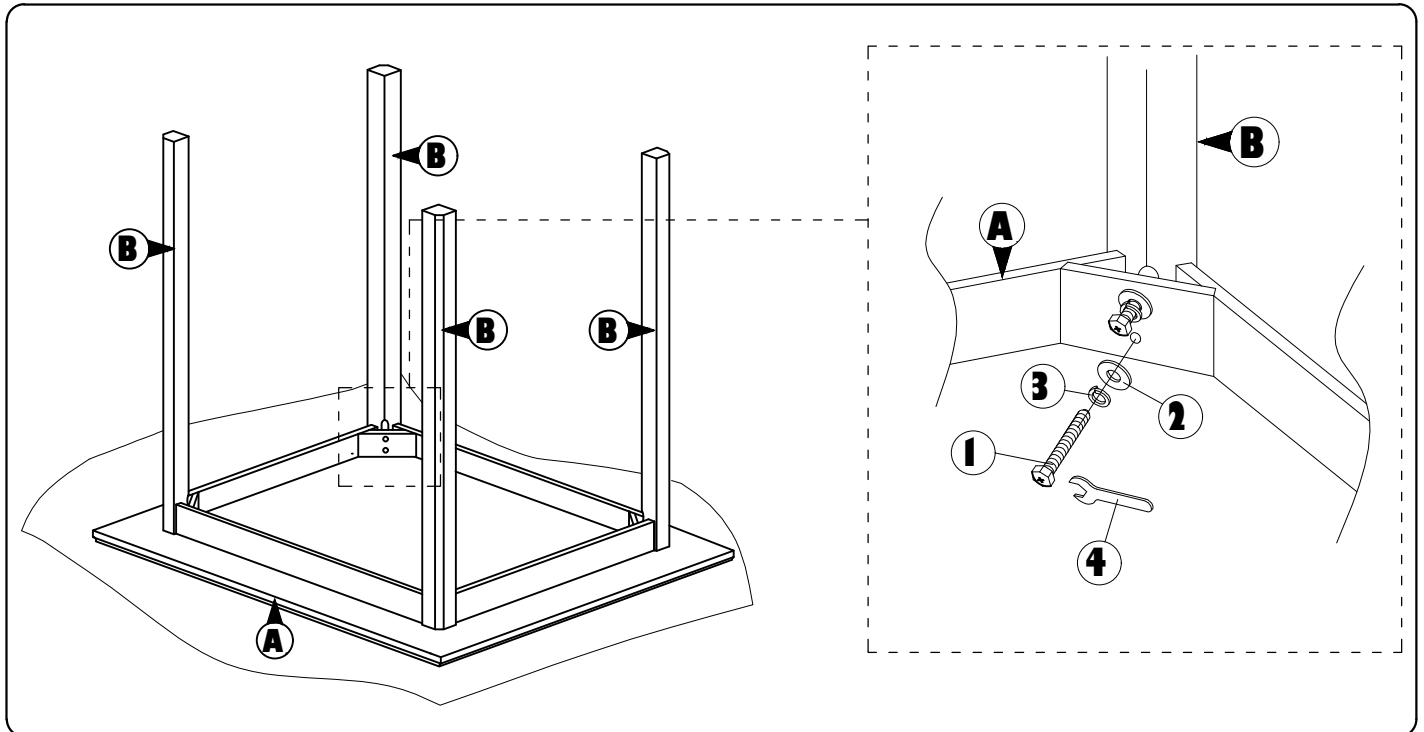
Read this instruction carefully. Remove all wrapping material, staples and straps from the carton. See hardware and furniture part list for guidance. Be sure you have all wooden furniture parts on a clean and flat soft surface, such as a carpet or rug, to prevent from being scratched. Follow the figure to start assembling.

### CAUTION :

1. Do not FULLY - TIGHTEN the nut or screw until all is ready to assemble.
2. Do not OVER - TIGHTEN the nut or screw to avoid causing damage to the thread.
3. Keep all hardware part out of reach of children at all times.

| NO | PART LIST | QTY   |
|----|-----------|-------|
| A  | TABLE TOP | 1 PC  |
| B  | TABLE LEG | 4 PCS |

| NO | DESCRIPTION  | QTY   |
|----|--|-------|
| 1  | HEX.COM SCREW 5 / 16" X 80MM  | 8 PCS |
| 2  | FLAT WASHER 5 / 16"           | 8 PCS |
| 3  | SPRING WASHER 5 / 16"         | 8 PCS |
| 4  | SPANNER 12.8                  | 1 PC  |



COMPLETE ASSEMBLE

# ASSEMBLY INSTRUCTION

Read this instruction carefully. Remove all wrapping material, staples and straps from the carton.


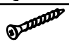
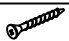



See hardware and furniture part list

For guidance. Be sure you have all wooden furniture parts on a clean and flat soft surface, such as a carpet or rug, to prevent from being scratched. Follow the figure to start assembling.

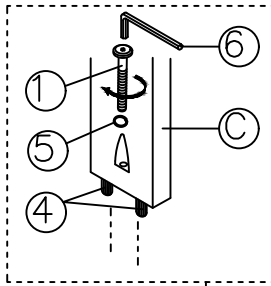
## CAUTION :

1. Do not FULLY - TIGHTEN the nut or screw until all is ready to assemble.
2. Do not OVER - TIGHTEN the nut or screw to avoid causing damages to the thread.
3. Keep all hardware part out reach of children.

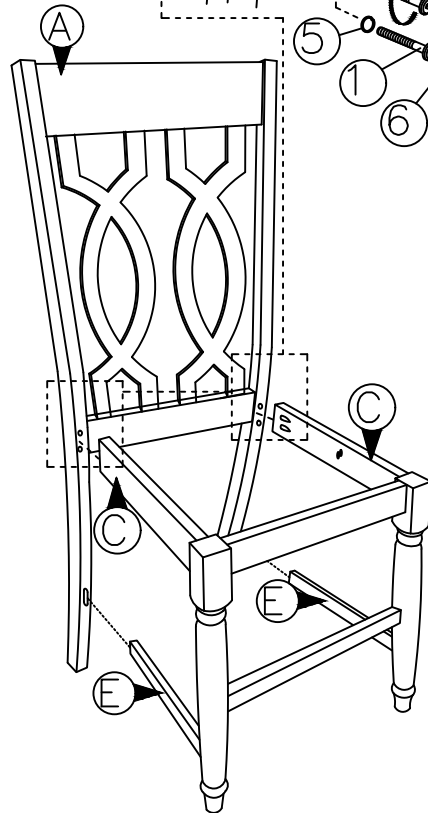
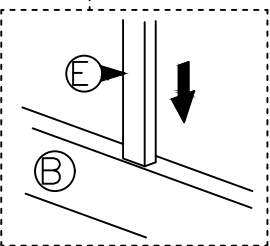
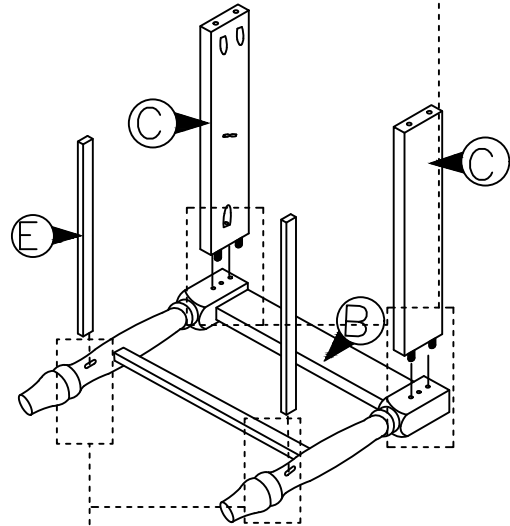
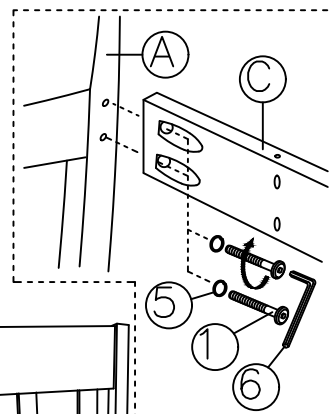
| NO | PART LIST    | QTY   |
|----|--------------|-------|
| A  | BACK REST    | 1 PC  |
| B  | FRONT LEG    | 1 PC  |
| C  | SIDE RAIL    | 2 PCS |
| D  | CUSHION SEAT | 1 PC  |
| E  | SRETCHER     | 2 PCS |

| NO | DESCRIPTION  | QTY   |
|----|--|-------|
| 1  | JCBC SCREW M6 X 50MM  | 6 PCS |
| 2  | CSK SCREW M4 x 38MM   | 4 PCS |
| 3  | CSK SCREW M4 x 30MM   | 3 PCS |
| 4  | WOOD DOWEL Ø8 x 30MM  | 4 PCS |
| 5  | SPRNG WASHER M6       | 6 PCS |
| 6  | M4 ALLEN KEY          | 1 PC  |

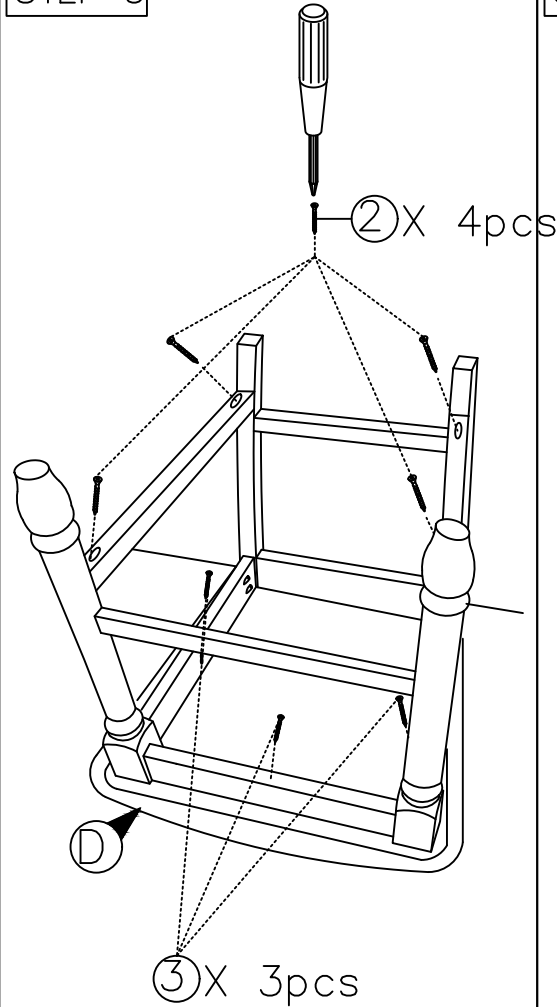
## STEP 1



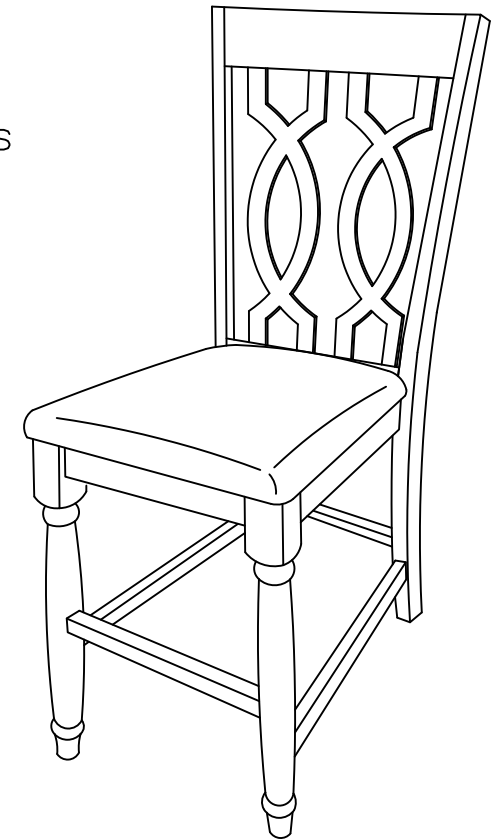
## STEP 2



## STEP 3



## STEP 4



COMPELETE  
ASSEMBLE