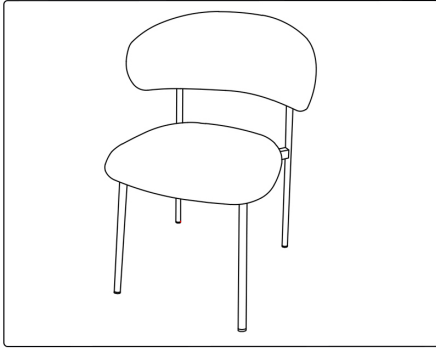


# ASSEMBLY INSTRUCTIONS

## SKU-759 / 760 - Dining Chair

meridian.  
furniture



### + Do Not Use Power Tools



### + Suggested Adults



**NOTE:** For questions about parts or assembly please email [support@meridianfurnitureusa.com](mailto:support@meridianfurnitureusa.com) or call us at 718-758-4455.

- 1 Read instructions cover to cover.
- 2 Save all packaging until assembly is completed.

### 1 IMPORTANT SAFETY INFORMATION

**Do not** assemble the product if any of the following parts arrived damaged:

Part # ① - Seat

Part # ② - Back

Part # ③ - Leg

**Do not** assemble if any of the following Hardware parts are missing:

Part # **A** - Bolt      Part # **B** - Bolt

Part # **C** - Flat Washer

Part # **D** - Allen Key

### 2 IMPORTANT ASSEMBLY INFORMATION

**Assembly Step** If loosening persists, please make sure to tighten all the bolts periodically, or use a thread locker adhesive.

### + Parts Included

① Seat  
(x 1)



② Back  
(x 1)

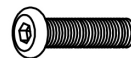


③ Leg  
(x 1)



### + Hardware Included

**A** Bolt  
(x 2)



M6x35mm

**B** Bolt  
(x 4)



M6x18mm

**C** Flat Washer  
(x 6)



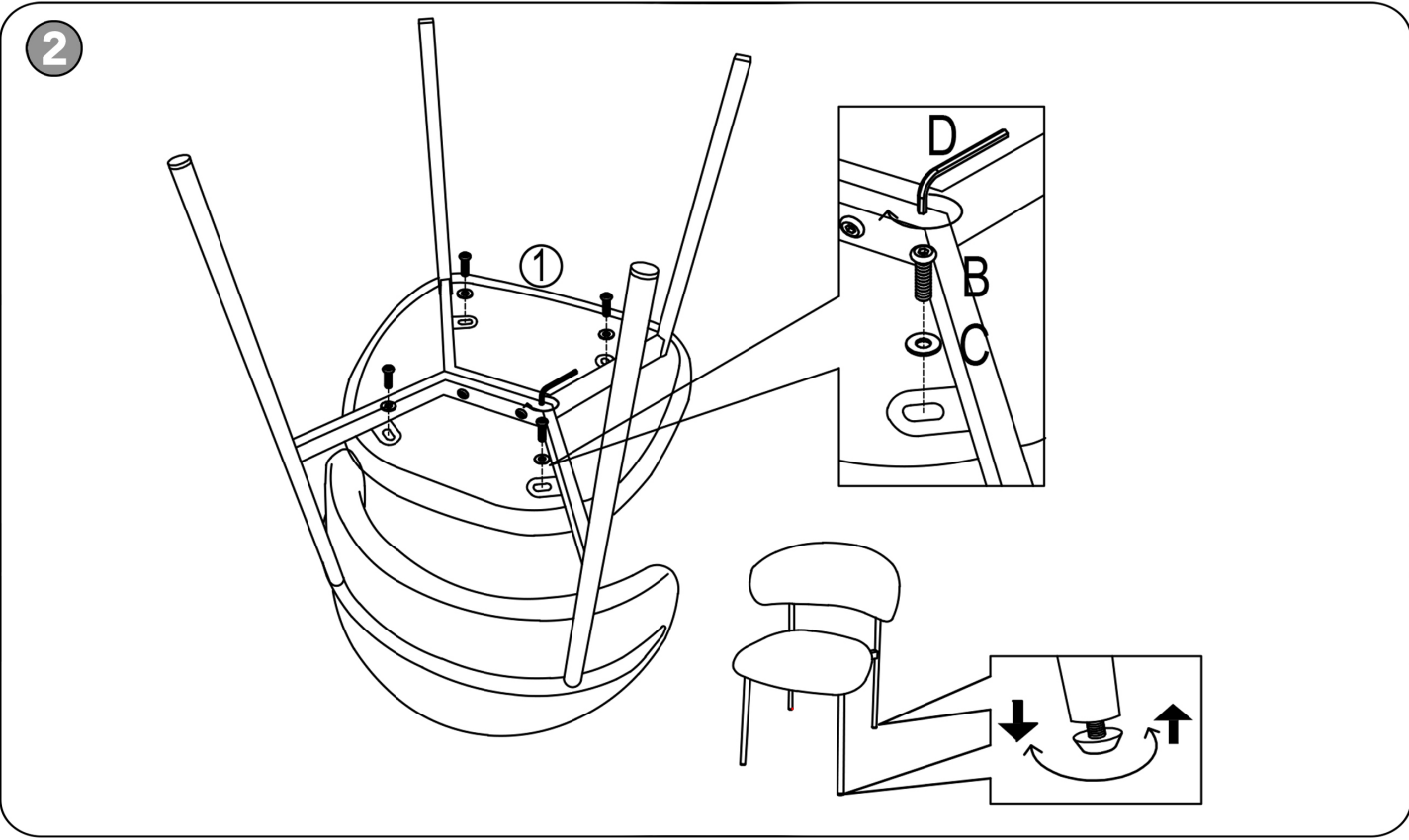
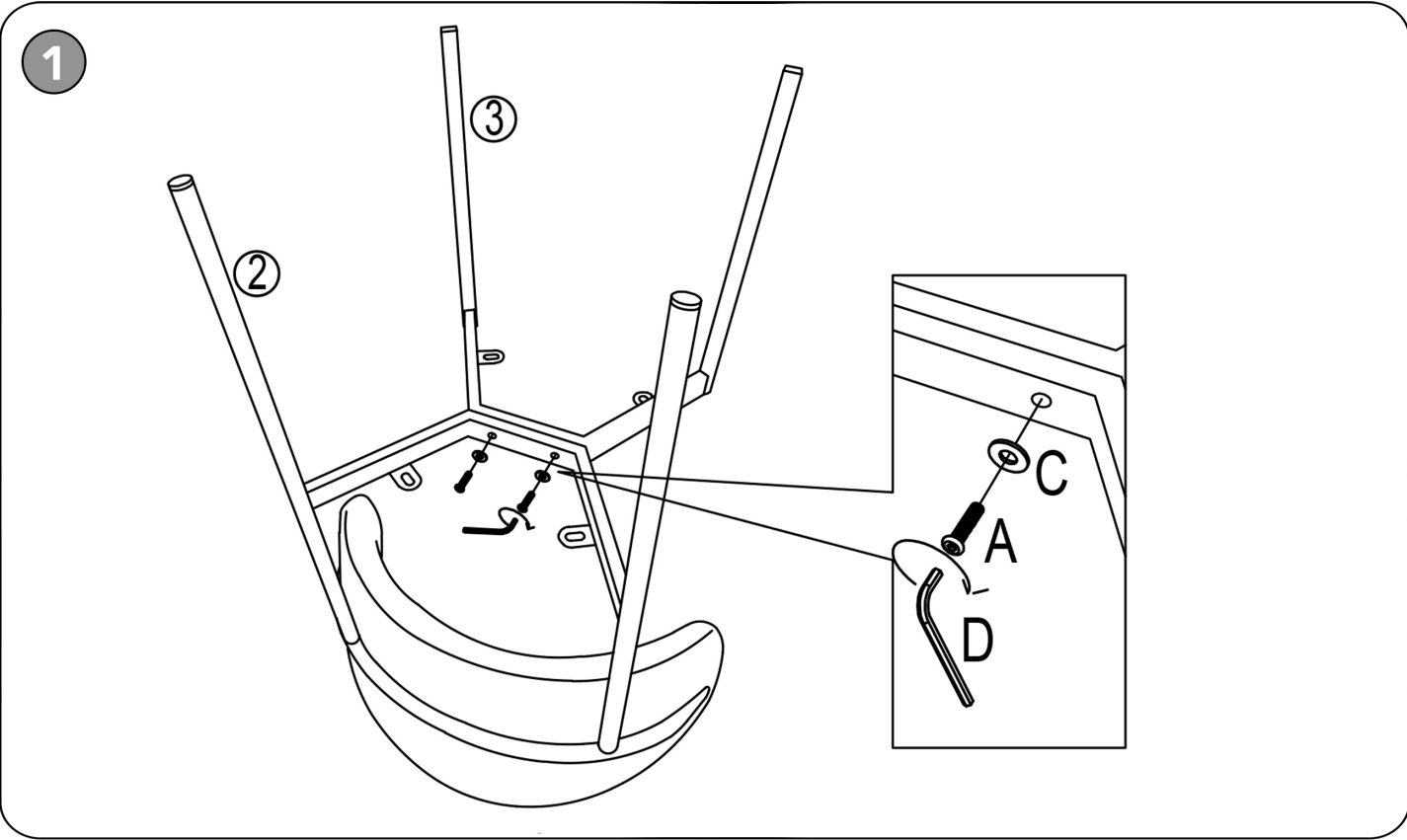
**D** Allen Key  
(x 1)



# ASSEMBLY INSTRUCTIONS

## SKU-759 / 760 - Dining Chair

meridian.  
furniture



**NOTE:** For questions about parts or assembly please email [support@meridianfurnitureusa.com](mailto:support@meridianfurnitureusa.com) or call us at 718-758-4455.

[www.MeridianFurnitureUSA.com](http://www.MeridianFurnitureUSA.com) | [support@meridianfurnitureusa.com](mailto:support@meridianfurnitureusa.com)