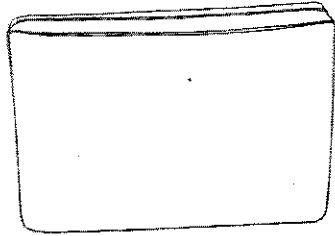


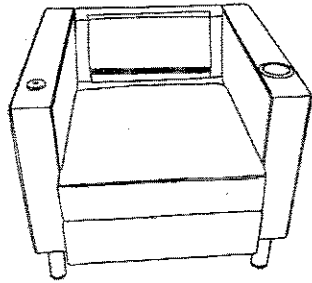
BT-8219
PARTS

ASSEMBLY INSTRUCTION

(1)X1



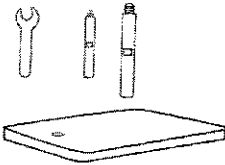
(2)X1



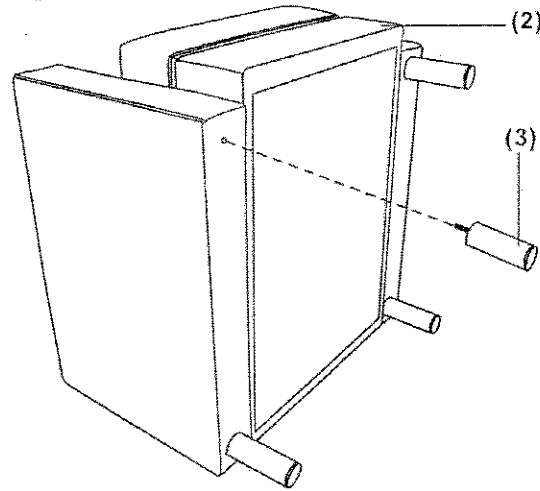
(3)X4



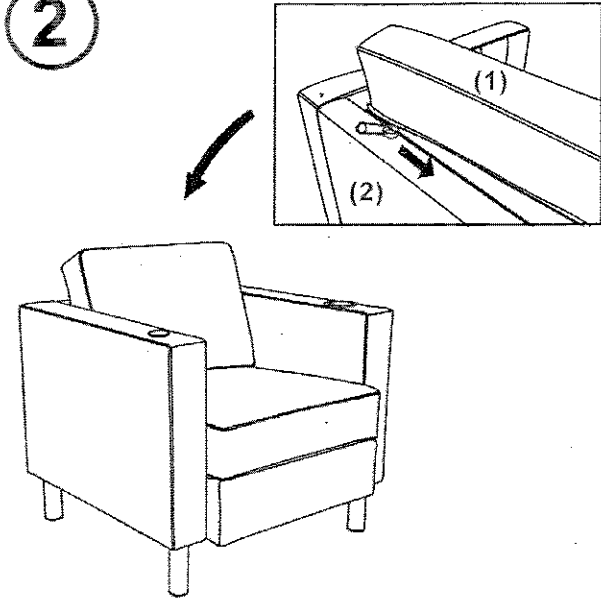
(4)X1



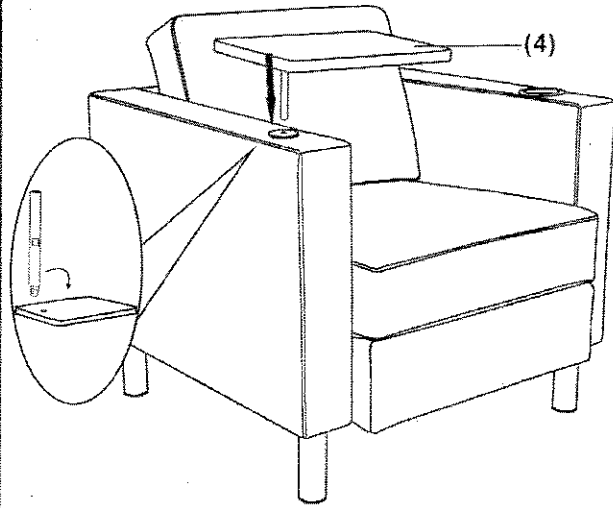
1



2



3



4

