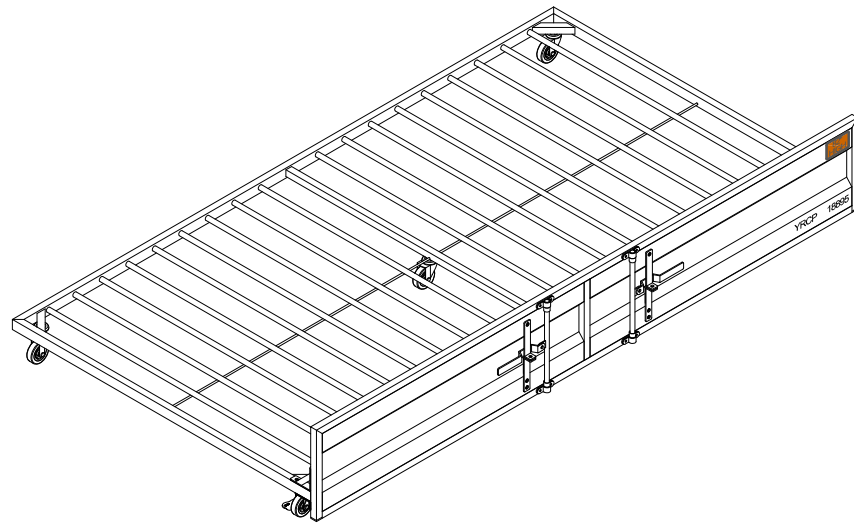


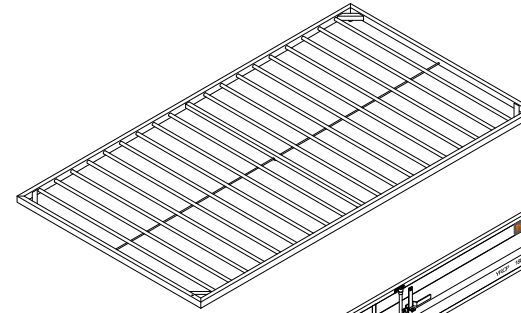
ASSEMBLY INSTRUCTIONS

ITEM NO.:37892/37882/37912/37902

PARTS IDENTIFICATION

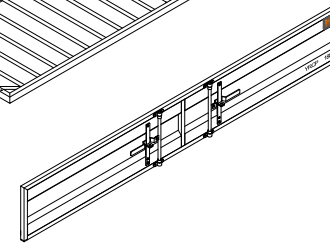


A



1pc

B



1pc

C



2pcs

D



3pcs

E




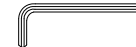
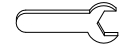
3pcs

F



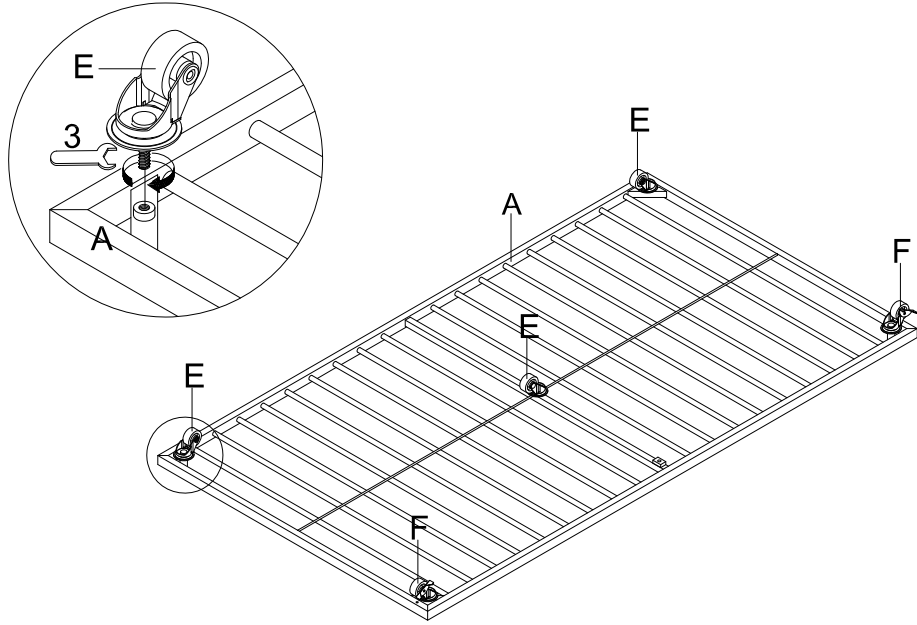
2pcs

HARDWARE LIST

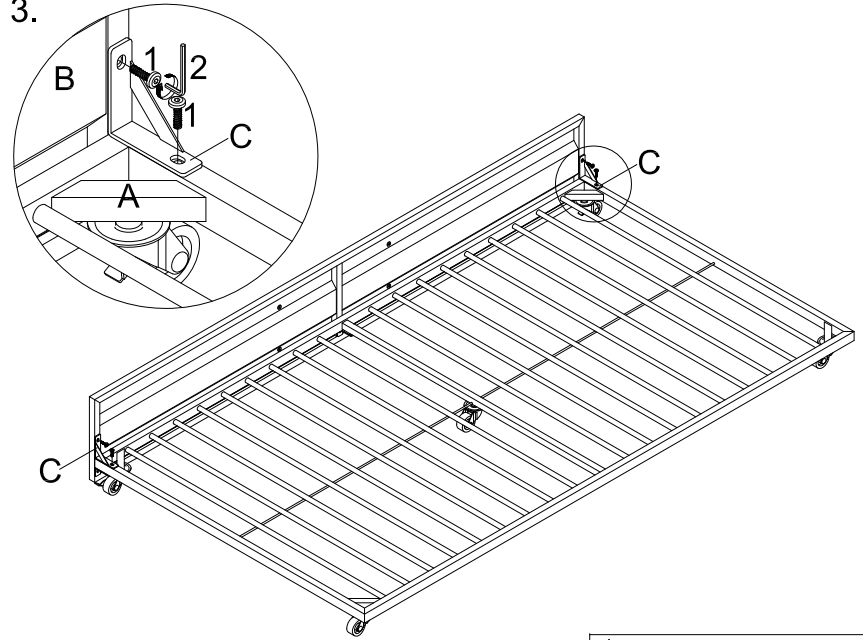
1		10pcs	2		1pc	3		1pc
M6x15			4x4					


Do not tighten screws until completely assembled.

STEP 1.

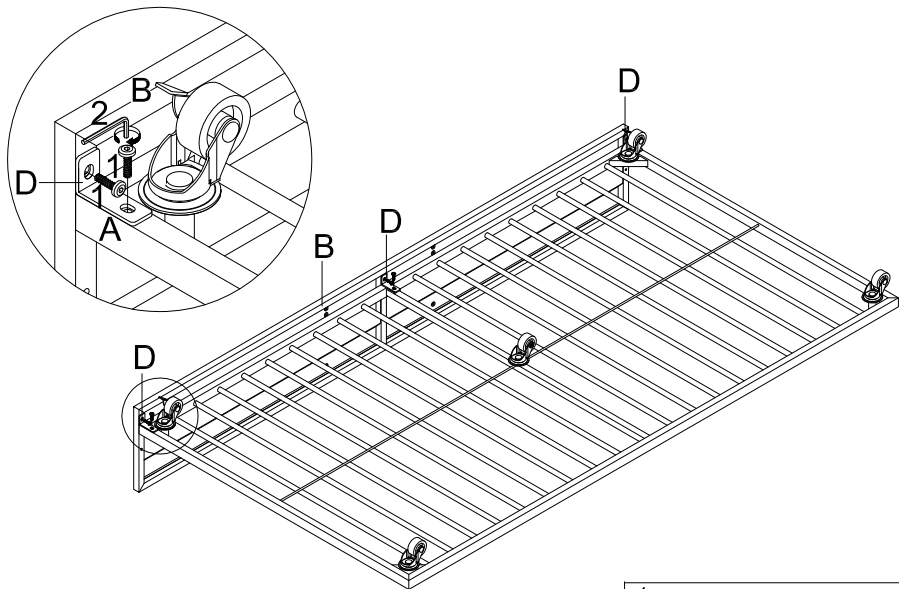



STEP 3.



1
M6x15  4pcs

STEP 2.



1
M6x15  6pcs

STEP 4.

